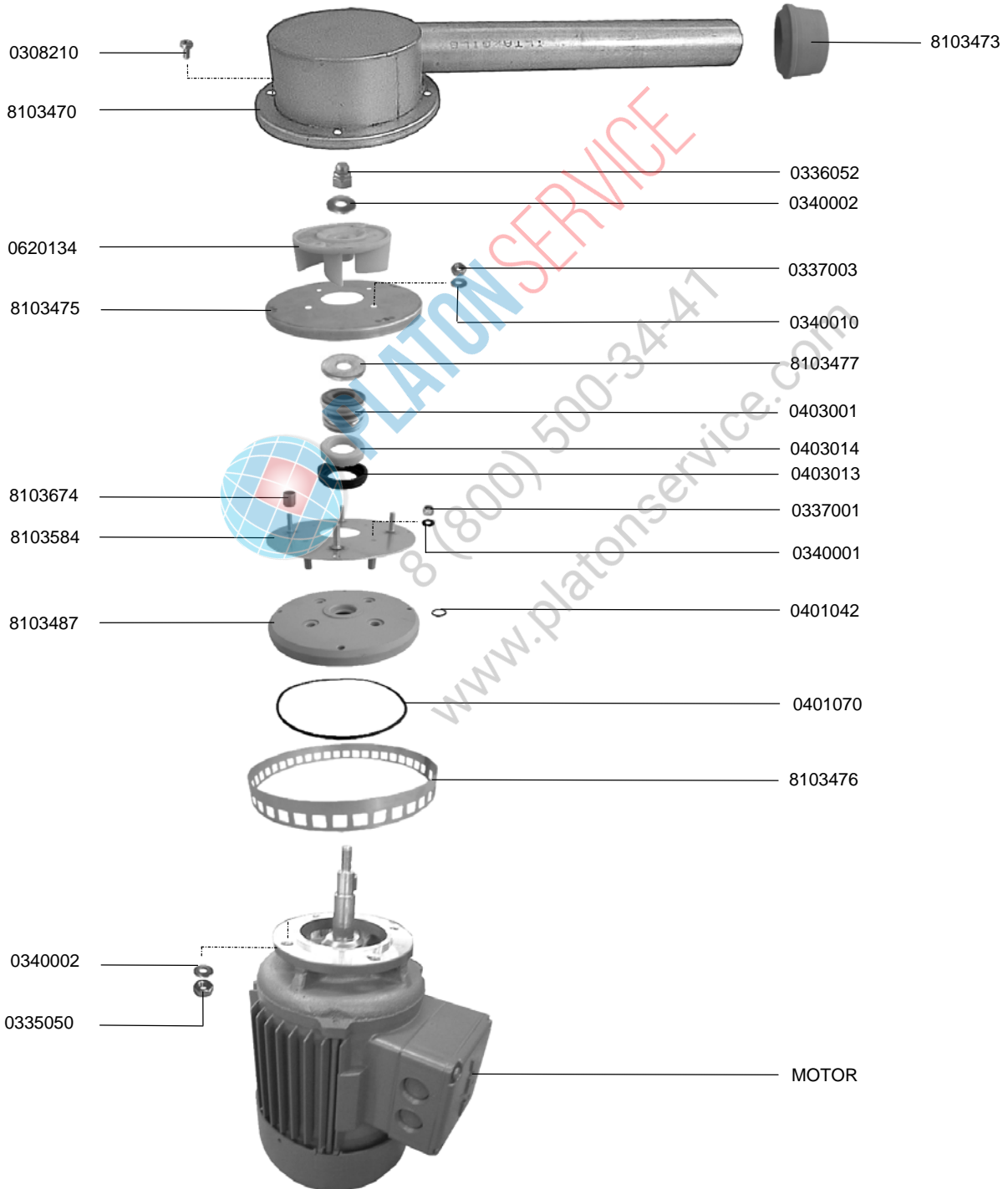


1.1 WASCHPUMPE 0,55KW



1.1 WASH PUMP 0,55KW

1.1 POMPE DE LAVAGE 0,55KW



1.1 WASCHPUMPE 0,55KW



1.1 WASH PUMP 0,55KW

1.1 POMPE DE LAVAGE 0,55KW

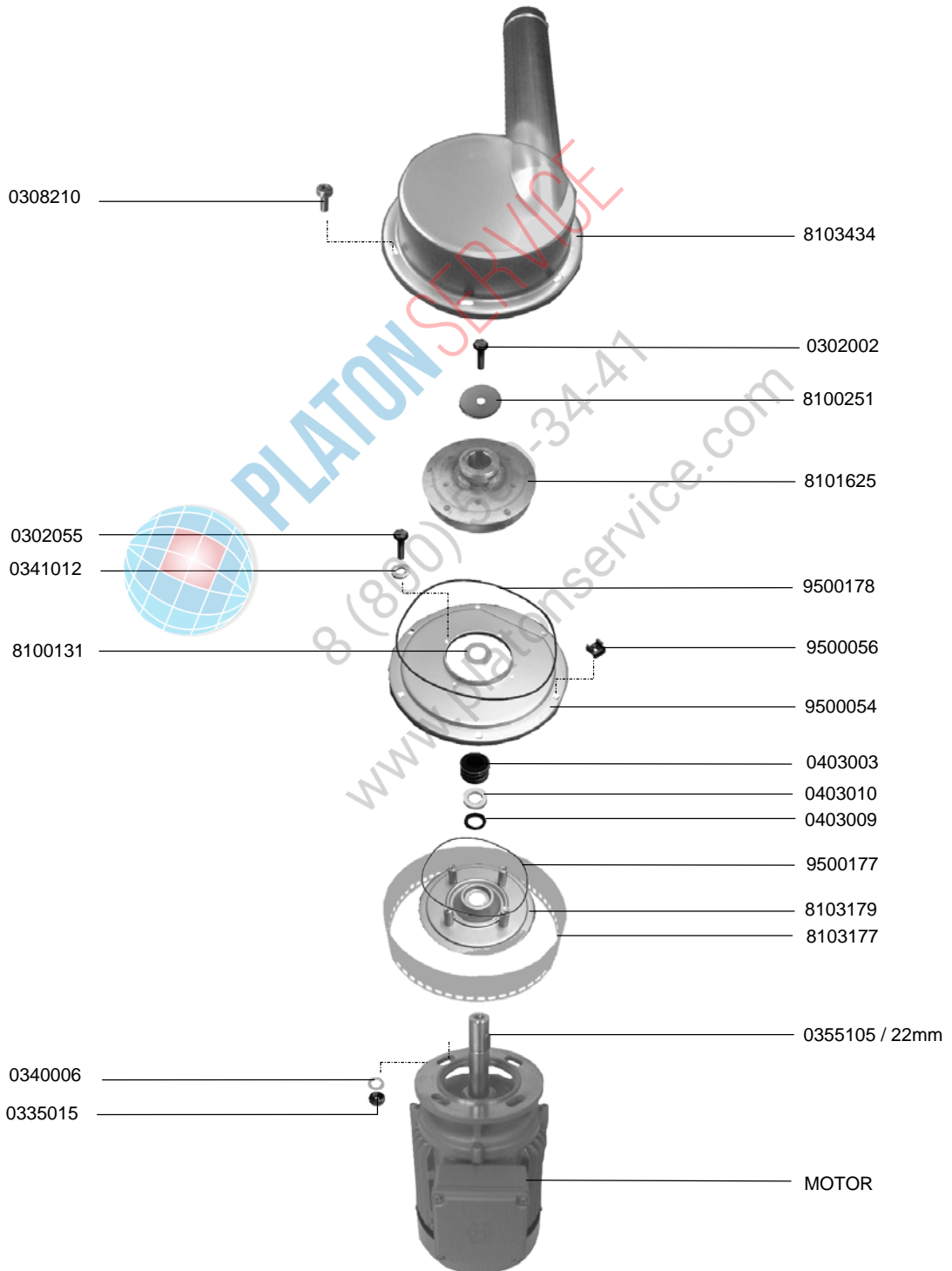
| IDENT.-NR. IDENT.-NO. | BEZEICHNUNG | DESIGNATION | DESIGNATION |
|--------------------------|---|----------------------------------|------------------------------------|
| 8103473 | ADAPTER | ADAPTER | ADAPTEUR |
| 0336052 | HUTMUTTER M8 | NUT M8 | ECROU M8 |
| 0340002 | SCHEIBE | DISK | DISQUE |
| 0337003 | MUTTER M6 | NUT M6 | ECROU M6 |
| 0340010 | SCHEIBE | DISK | DISQUE |
| 8103477 | SCHEIBE | DISK | DISQUE |
| V 0403001 | GLEITRINGDICHTUNG 15X30 EPDM | SLIDING SEAL 15X30 EPDM | JOINT AXIAL 15X30 EPDM |
| V 0403014 | GLEITRING SPR-E23 KERAMIK 15X25X6 | SLIDING RING CERAMICS 15X25X6 | BAGUE CERAMICS 15X25X6 |
| V 0403013 | GLEITR.-MANSCHETTE WINKEL 17X27X5 EPDM | ANGLE COLLAR 17X27X5 EPDM | MANCHETTE EN ANGLE 17X27X5 EPDM |
| 0337001 | MUTTER M5 | NUT M5 | ECROU M5 |
| 0340001 | SCHEIBE | DISK | DISQUE |
| 0401042 | O-RING | O-RING | BAGUE |
| * 0401070 | O-RING | O-RING | BAGUE |
| 8103476 | ANSAUGSIEB | SUCTION SIEVE | FILTRE DE ASPIRATION |
| MOTOR | SIEHE ELEKTROSCHALTPLAN | SEE ELECTRIC WIRING DIAGRAM | VOIR SCHEMA ELECTRIQUE |
| 0335050 | MUTTER M8 | NUT M8 | ECROU M8 |
| 8103487 | TRÄGER | SUPPORT | SUPPORT |
| 8103584 | MOTORTRÄGER | MOTOR SUPPORT | SUPPORT DE MOTEUR |
| 8103674 | DISTANZHÜLSE | SPACER | DOVILLE DE ECARTEMENT |
| 8103475 | PUMPENBODEN KOMPL. 0,55KW | PUMP BASE CPL. 0,55KW | READY FOND DE POMPE CPL. 0,55KW |
| * 0620134 | PUMPENRAD K134 | IMPELLER K134 | ROUE DE POMPE K134 |
| 8103470 | PUMPENDECKEL | PUMP LID | COUVERCLE DE POMPE |
| 0308210 | SCHRAUBE M6X10 | SCREW M6X10 | VIS M6X10 |

1.2 WASCHPUMPE 1,7KW



1.2 WASH PUMP 1,7KW

1.2 POMPE DE LAVAGE 1,7KW



1.2 WASCHPUMPE 1,7KW



1.2 WASH PUMP 1,7KW

1.2 POMPE DE LAVAGE 1,7KW

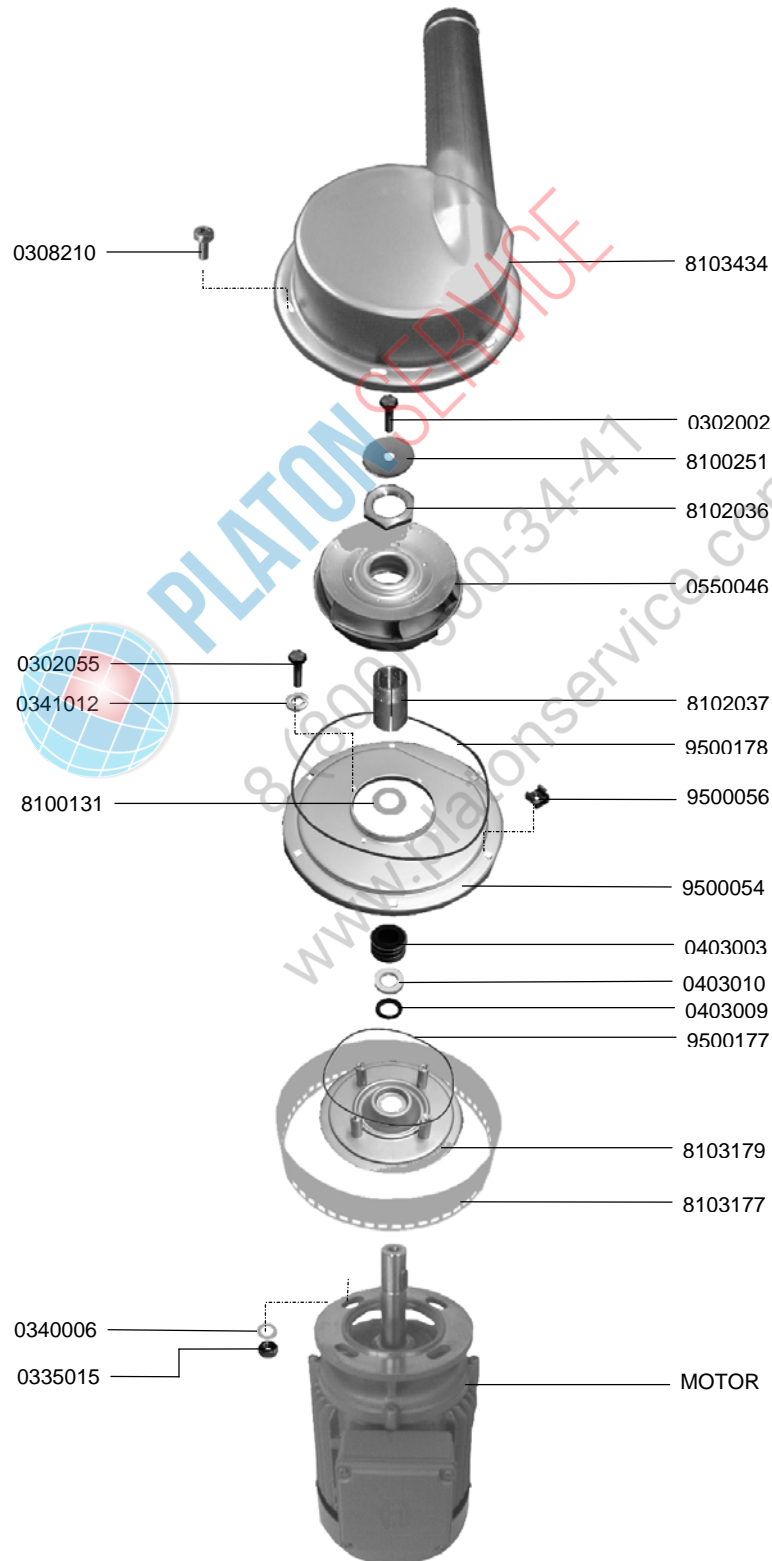
| IDENT.-NR. IDENT.-NO. | BEZEICHNUNG | DESIGNATION | DESIGNATION |
|--------------------------|--------------------------------------|-------------------------------------|--|
| 8103434 | PUMPENDECKEL KOMPL. | PUMP LID CPL. | COUVERCLE DE POMPE CPL. |
| 0302002 | SKT.-SCHRAUBE M6X20 | HEXAGON SCREW M6X20 | VIS A 6 PANS M6X20 |
| 8100251 | U-SCHEIBE Ø34XØ7X2 | FRONT DISC Ø34XØ7X2 | RONDELLE Ø34XØ7X2 |
| * 8101625 | PUMPENRAD 1,7KW Ø120X49 | IMPELLER 1,7KW Ø120X49 | ROUE DE POMPE 1,7KW Ø120X49 |
| * 9500178 | RUNDDICHTRING 70° | GASKET 70° | JOINT 70° |
| 9500056 | KÄFIGMUTTER M6 1,2-1,6MM | NUT M6 1,2-1,6MM | ECROU M6 1,2-1,6MM |
| 9500054 | PUMPENBODEN | PUMP BASE | FOND DE POMPE |
| V 0403003 | GLEITRINGDICHTUNG VITON 25X44X20 | SLIDING SEAL 25X44X20 | JOINT AXIAL 25X44X20 |
| V 0403010 | GLEITRING KERAMIK 25,9X38X8 | SLIDING SEAL CERAMICS 25,9X38X8 | JOINT AXIAL CERAMIQUE 25,9X38X8 |
| V 0403009 | GLEITR.-MANSCHETTE WINKEL 30X40X7 | COLLAR PERBUNAN 30X40X7 | MANCHETTE PEBUNAN 30X40X7 |
| * 9500177 | RUNDDICHTRING 70° | GASKET 70° | JOINT 70° |
| 8103179 | MOTORTRÄGER | MOTOR SUPPORT | SUPPORT DE MOTEUR |
| 8103177 | ANSAUGSIEB | SUCTION SIEVE | FILTRE D'ASPIRATION |
| * 0355105 | PASSFEDER A 8X7X22 | FEATHER KEY A 8X7X22 | RESSORT D'AJUSTAGE A 8X7X22 |
| MOTOR | SIEHE ELEKTROSCHALTPLAN | SEE ELECTRIC WIRING DIAGRAM | VOIR SCHEMA ELECTRIQUE |
| 0335015 | SKT.-MUTTER M8 | HEXAGON NUT M8 | ECROU A 6 PANS M8 |
| 0340006 | U-SCHEIBE MS. VERN. Ø18XØ8,4X2 | WASHER BRASS NICKELED Ø18XØ8,4X2 | RONDELLE EN LAITON NICKELE Ø18XØ8,4X2 |
| 8100131 | U-SCHEIBE Ø38XØ24,1X1 | SUPPORT DISC Ø38XØ24X1 | RONDELLE Ø38XØ24X1 |
| 0341012 | FEDERRING 6MM | SPRING RING 6MM | RESSORT 6MM |
| 0302055 | SKT.-SCHRAUBE M6X12 | HEXAGON SCREW M6X12 | VIS A 6 PANS M6X12 |
| 0308210 | SCHRAUBE M6X10 | SCREW M6X10 | VIS M6X15 |

1.3 WASCHPUMPE 2,2KW



1.3 WASH PUMP 2,2KW

1.3 POMPE DE LAVAGE 2,2KW



1.3 WASCHPUMPE 2,2KW



1.3 WASH PUMP 2,2KW

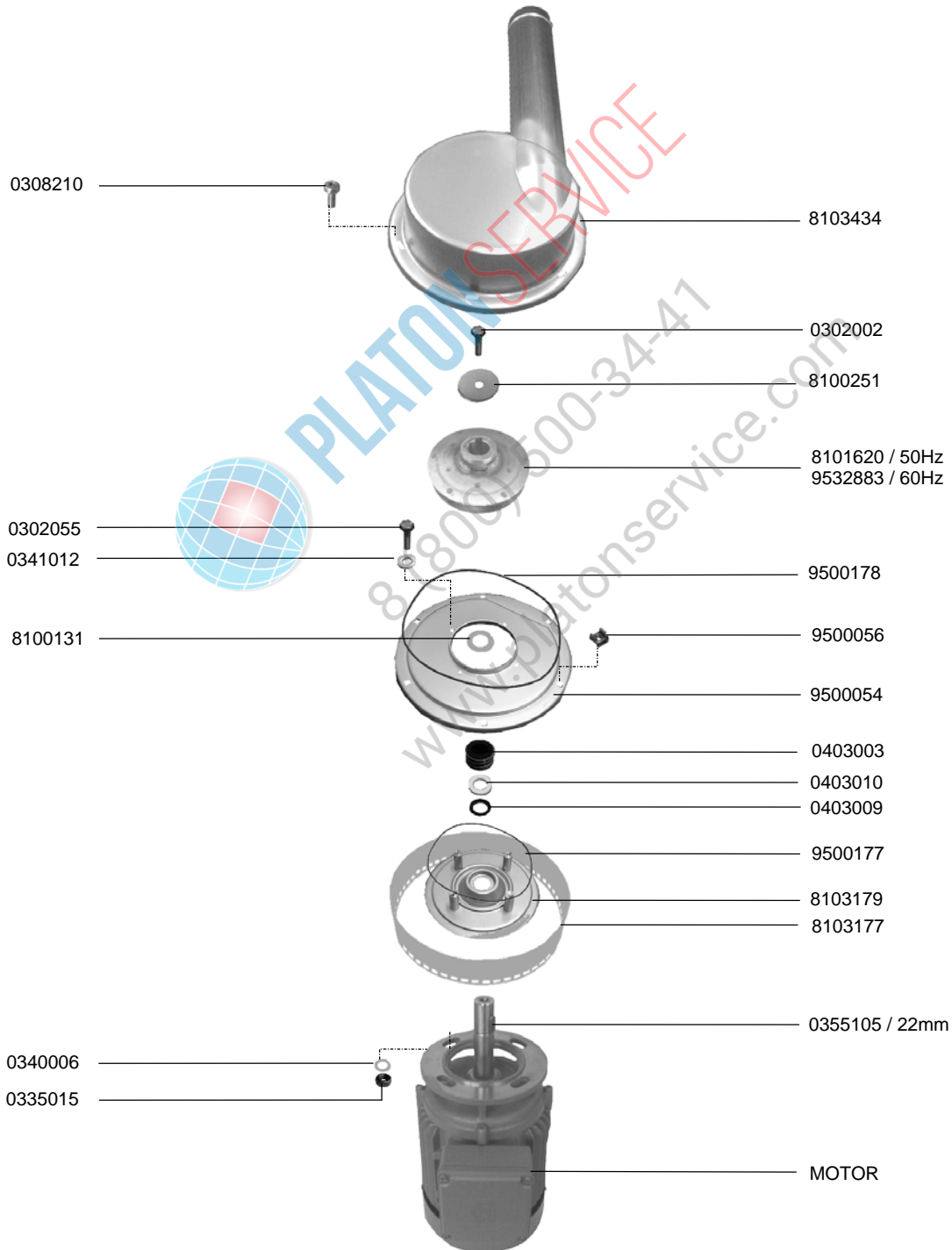
1.3 POMPE DE LAVAGE 2,2KW

| IDENT.-NR. IDENT.-NO. | BEZEICHNUNG | DESIGNATION | DESIGNATION |
|--------------------------|--------------------------------------|-------------------------------------|--|
| 8103434 | PUMPENDECKEL KOMPL. | PUMP LID CPL. | COUVERCLE DE POMPE CPL. |
| 0302002 | SKT.-SCHRAUBE M6X20 | HEXAGON SCREW M6X20 | VIS A 6 PANS M6X20 |
| 8100251 | U-SCHEIBE Ø34XØ7X2 | FRONT DISC Ø34XØ7X2 | RONDELLE Ø34XØ7X2 |
| 8102036 | SKT.MUTTER M30X1,5 | HEXAGON NUT M30X1,5 | ECROU A 6 PANS M30X1,5 |
| * 0550046 | PUMPENRAD 2,2KW | IMPELLER 2,2KW | ROUE DE POMPE 2,2KW |
| 8102037 | BÜCHSE | BUSHING | DOUILLE |
| * 9500178 | RUNDDICHTRING 70° | GASKET 70° | JOINT 70° |
| 9500056 | KÄFIGMUTTER M6 1,2-1,6MM | NUT M6 1,2-1,6MM | ECROU M6 1,2-1,6MM |
| 9500054 | PUMPENBODEN | PUMP BASE | FOND DE POMPE |
| V 0403003 | GLEITRINGDICHTUNG VITON 25X44X20 | SLIDING SEAL 25X44X20 | JOINT AXIAL 25X44X20 |
| V 0403010 | GLEITRING KERAMIK 25,9X38X8 | SLIDING SEAL CERAMICS 25,9X38X8 | JOINT AXIAL CERAMIQUE 25,9X38X8 |
| V 0403009 | GLEITR.-MANSCHETTE WINKEL 30X40X7 | COLLAR PERBUNAN 30X40X7 | MANCHETTE PEBUNAN 30X40X7 |
| * 9500177 | RUNDDICHTRING 70° | GASKET 70° | JOINT 70° |
| 8103179 | MOTORTRÄGER | MOTOR SUPPORT | SUPPORT DE MOTEUR |
| 8103177 | ANSAUGSIEB | SUCTION SIEVE | FILTRE D'ASPIRATION |
| MOTOR | SIEHE ELEKTROSCHALTPLAN | SEE ELECTRIC DIAGRAM | VOIR SCHEMA ELECTRIQUE |
| 0335015 | SKT.-MUTTER M8 | HEXAGON NUT M8 | ECROU A 6 PANS M8 |
| 0340006 | U-SCHEIBE MS. VERN. Ø18XØ8,4X2 | WASHER BRASS NICKELED Ø18XØ8,4X2 | RONDELLE EN LAITON NICKELE Ø18XØ8,4X2 |
| 8100131 | U-SCHEIBE Ø38XØ24,1X1 | SUPPORT DISC Ø38XØ24X1 | RONDELLE Ø38XØ24X1 |
| 0341012 | FEDERRING 6MM | SPRING RING 6MM | RESSORT 6MM |
| 0302055 | SKT.-SCHRAUBE M6X12 | HEXAGON SCREW M6X12 | VIS A 6 PANS M6X12 |
| 0308210 | SCHRAUBE M6X10 | SCREW M6X10 | VIS M6X15 |

1.3.1 WASCHPUMPE 2,2KW

1.3.1 WASH PUMP 2,2KW

1.3.1 POMPE DE LAVAGE 2,2KW



1.3.1 WASCHPUMPE 2,2KW



1.3.1 WASH PUMP 2,2KW

1.3.1 POMPE DE LAVAGE 2,2KW

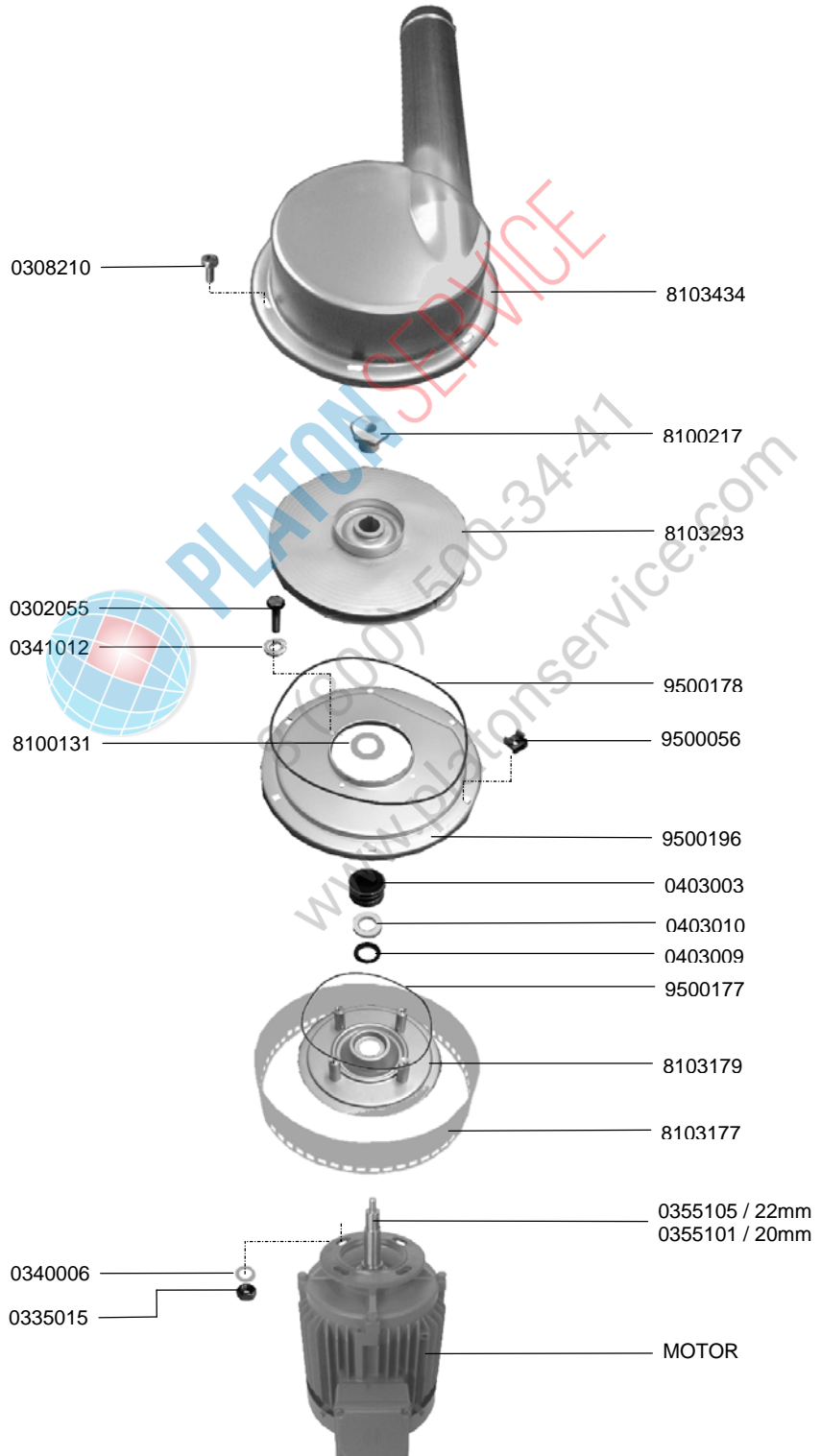
| IDENT.-NR. IDENT.-NO. | BEZEICHNUNG | DESIGNATION | DESIGNATION |
|--------------------------|--------------------------------------|-------------------------------------|--|
| 8103434 | PUMPENDECKEL KOMPL. | PUMP LID CPL. | COUVERCLE DE POMPE CPL. |
| 0302002 | SKT.-SCHRAUBE M6X20 | HEXAGON SCREW M6X20 | VIS A 6 PANS M6X20 |
| 8100251 | U-SCHEIBE Ø34XØ7X2 | FRONT DISC Ø34XØ7X2 | RONDELLE Ø34XØ7X2 |
| * 8101620 | PUMPENRAD 1,7KW 50HZ Ø120X49 | IMPELLER 1,7KW 50HZ Ø120X49 | ROUE DE POMPE 1,7KW 50HZ Ø120X49 |
| * 9532883 | PUMPENRAD 1,7KW 60HZ Ø108X49 | IMPELLER 1,7KW 60HZ Ø108X49 | ROUE DE POMPE 1,7KW 60HZ Ø108X49 |
| * 9500178 | RUNDDICHTRING 70° | GASKET 70° | JOINT 70° |
| 9500056 | KÄFIGMUTTER M6 1,2-1,6MM | NUT M6 1,2-1,6MM | ECROU M6 1,2-1,6MM |
| 9500054 | PUMPENBODEN | PUMP BASE | FOND DE POMPE |
| V 0403003 | GLEITRINGDICHTUNG VITON 25X44X20 | SLIDING SEAL 25X44X20 | JOINT AXIAL 25X44X20 |
| V 0403010 | GLEITRING KERAMIK 25,9X38X8 | SLIDING SEAL CERAMICS 25X38X8 | JOINT AXIAL CERAMIQUE 25X38X8 |
| V 0403009 | GLEITR.-MANSCHETTE WINKEL 30X40X7 | COLLAR PERBUNAN 30X40X7 | MANCHETTE PEBUNAN 30X40X7 |
| * 9500177 | RUNDDICHTRING 70° | GASKET 70° | JOINT 70° |
| 8103179 | MOTORTRÄGER | MOTOR SUPPORT | SUPPORT DE MOTEUR |
| 8103177 | ANSAUGSIEB | SUCTION SIEVE | FILTRE D'ASPIRATION |
| * 0355105 | PASSFEDER A 8X7X22 | FEATHER KEY A 8X7X22 | RESSORT D'AJUSTAGE A 8X7X22 |
| MOTOR | SIEHE ELEKTROSCHALTPLAN | SEE ELECTRIC WIRING DIAGRAM | VOIR SHEMA ELECTRIQUE |
| 0335015 | SKT.-MUTTER M8 | HEXAGON NUT M8 | ECROU A 6 PANS M8 |
| 0340006 | U-SCHEIBE MS. VERN. Ø18XØ8,4X2 | WASHER BRASS NICKELED Ø18XØ8,4X2 | RONDELLE EN LAITON NICKELE Ø18XØ8,4X2 |
| 8100131 | U-SCHEIBE Ø38XØ24,1X1 | SUPPORT DISC Ø38XØ24,1X1 | RONDELLE Ø38XØ24,1X1 |
| 0341012 | FEDERRING 6MM | SPRING RING 6MM | RESSORT 6MM |
| 0302055 | SKT.-SCHRAUBE M6X12 | HEXAGON SCREW M6X12 | VIS A 6 PANS M6X12 |
| 0308210 | SCHRAUBE M6X10 | SCREW M6X10 | VIS M6X10 |

1.4 WASCHPUMPE 4KW



1.4 WASH PUMP 4KW

1.4 POMPE DE LAVAGE 4KW



1.4 WASCHPUMPE 4KW



1.4 WASH PUMP 4KW

1.4 POMPE DE LAVAGE 4KW

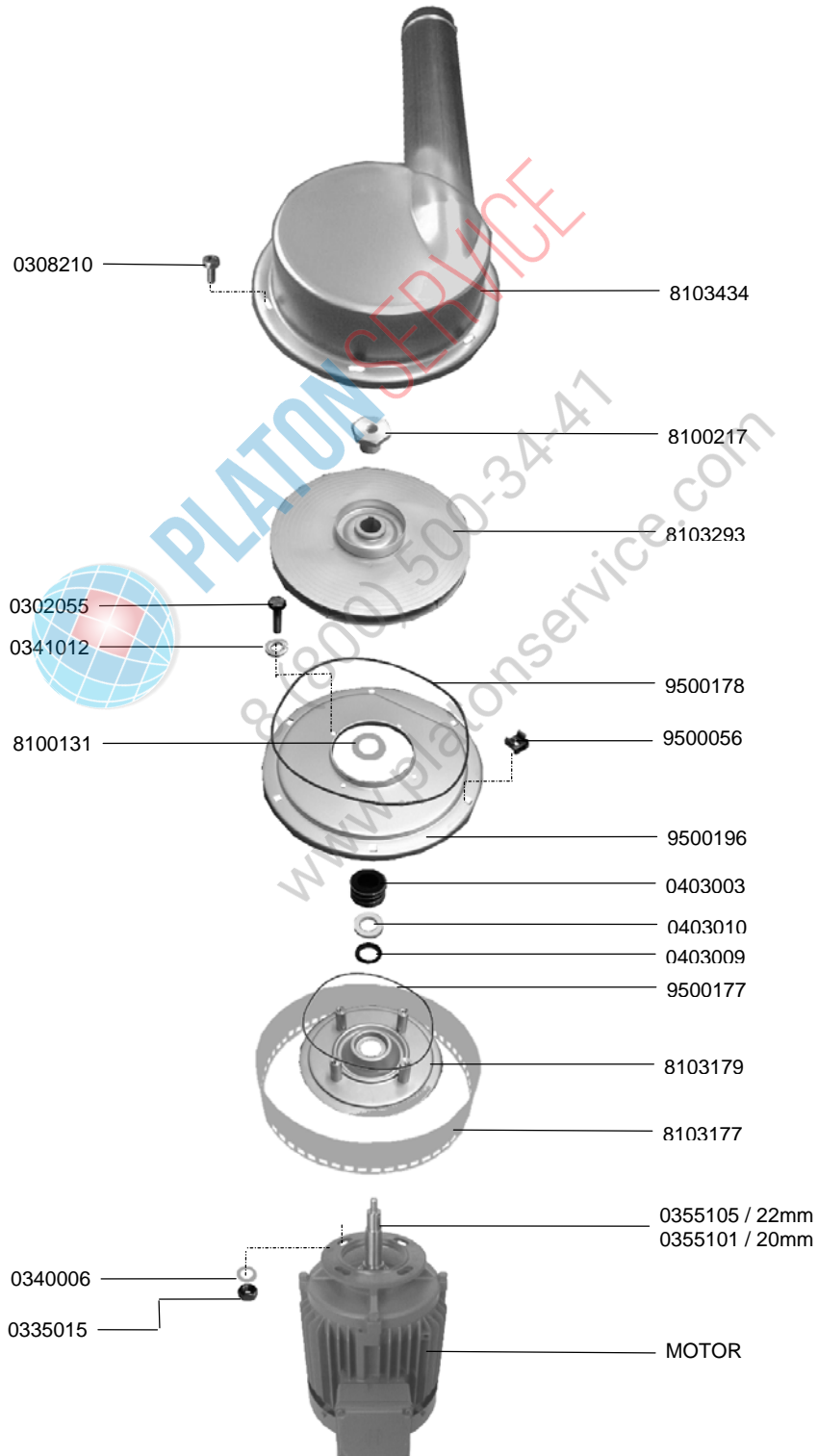
| IDENT.-NR. IDENT.-NO. | BEZEICHNUNG | DESIGNATION | DESIGNATION |
|--------------------------|--------------------------------------|-------------------------------------|--|
| 8103434 | PUMPENDECKEL KOMPL. | PUMP LID CPL. | COUVERCLE DE POMPE CPL. |
| 8100217 | MUTTER | NUT | ECROU |
| * 8103293 | PUMPENRAD 4KW | IMPELLER 4KW | ROUE DE POMPE 4KW |
| * 9500178 | RUNDDICHTRING 70° | GASKET 70° | JOINT 70° |
| 9500056 | KÄFIGMUTTER M6 1,2-1,6MM | NUT M6 1,2-1,6MM | ECROU M6 1,2-1,6MM |
| 9500196 | PUMPENBODEN | PUMP BASE | FOND DE POMPE |
| V 0403003 | GLEITRINGDICHTUNG VITON 25X44X20 | SLIDING SEAL 25X44X20 | JOINT AXIAL 25X44X20 |
| V 0403010 | GLEITRING KERAMIK 25,9X38X8 | SLIDING SEAL CERAMICS 25,9X38X8 | JOINT AXIAL CERAMIQUE 25,9X38X8 |
| V 0403009 | GLEITR.-MANSCHETTE WINKEL 30X40X7 | COLLAR PERBUNAN 30X40X7 | MANCHETTE PEBUNAN 30X40X7 |
| * 9500177 | RUNDDICHTRING 70° | GASKET 70° | JOINT 70° |
| 8103179 | MOTORTRÄGER | MOTOR SUPPORT | SUPPORT DE MOTEUR |
| 8103177 | ANSAUGSIEB | SUCTION SIEVE | FILTRE D'ASPIRATION |
| * 0355105 | PASSFEDER A 8X7X22 | FEATHER KEY A 8X7X22 | RESSORT D'AJUSTAGE A 8X7X22 |
| * 0355101 | PASSFEDER A 8X7X20 | FEATHER KEY A 8X7X20 | RESSORT D'AJUSTAGE A 8X7X20 |
| MOTOR | SIEHE ELEKTROSCHALTPLAN | SEE ELECTRIC DIAGRAM | VOIR SCHEMA ELECTRIQUE |
| 0335015 | SKT.-MUTTER M8 | HEXAGON NUT M8 | ECROU A 6 PANS M8 |
| 0340006 | U-SCHEIBE MS. VERN. Ø18XØ8,4X2 | WASHER BRASS NICKLEED Ø18XØ8,4X2 | RONDELLE EN LAITON NICKELE Ø18XØ8,4X2 |
| 0341012 | FEDERRING 6MM | SPRING RING 6MM | RESSORT 6MM |
| 0302055 | SKT.-SCHRAUBE M6X12 | HEXAGON SCREW M6X12 | VIS A 6 PANS M6X12 |
| 0308210 | SCHRAUBE M6X10 | SCREW M6X10 | VIS M6X15 |

1.5 WASCHPUMPE 2,2KW / 4KW



1.5 WASH PUMP 2,2KW / 4KW

1.5 POMPE DE LAVAGE 2,2KW / 4KW



1.5 WASCHPUMPE 2,2KW / 4KW



1.5 WASH PUMP 2,2KW / 4KW

1.5 POMPE DE LAVAGE 2,2KW / 4KW

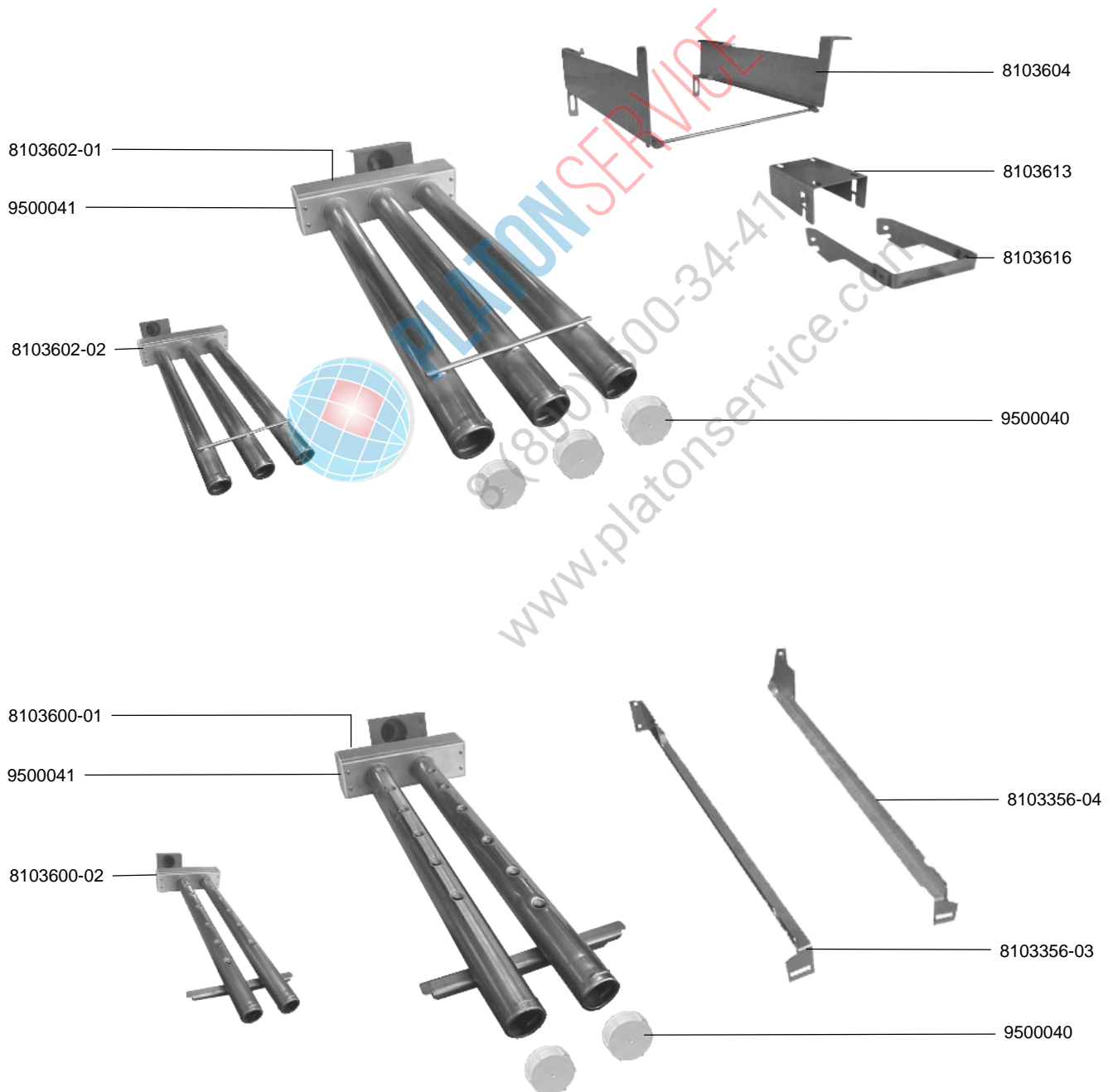
| IDENT.-NR. IDENT.-NO. | BEZEICHNUNG | DESIGNATION | DESIGNATION |
|--------------------------|--------------------------------------|-------------------------------------|--|
| 8103434 | PUMPENDECKEL KOMPL. | PUMP LID CPL. | COUVERCLE DE POMPE CPL. |
| 8100217 | MUTTER | NUT | ECROU |
| * 8103293 | PUMPENRAD 4KW | IMPELLER 4KW | ROUE DE POMPE 4KW |
| * 9500178 | RUNDDICHTRING 70° | GASKET 70° | JOINT 70° |
| 9500056 | KÄFIGMUTTER M6 1,2-1,6MM | NUT M6 1,2-1,6MM | ECROU M6 1,2-1,6MM |
| 9500196 | PUMPENBODEN | PUMP BASE | FOND DE POMPE |
| V 0403003 | GLEITRINGDICHTUNG VITON 25X44X20 | SLIDING SEAL 25X44X20 | JOINT AXIAL 25X44X20 |
| V 0403010 | GLEITRING KERAMIK 25,9X38X8 | SLIDING SEAL CERAMICS 25,9X38X8 | JOINT AXIAL CERAMIQUE 25,9X38X8 |
| V 0403009 | GLEITR.-MANSCHETTE WINKEL 30X40X7 | COLLAR PERBUNAN 30X40X7 | MANCHETTE PEBUNAN 30X40X7 |
| * 9500177 | RUNDDICHTRING 70° | GASKET 70° | JOINT 70° |
| 8103179 | MOTORTRÄGER | MOTOR SUPPORT | SUPPORT DE MOTEUR |
| 8103177 | ANSAUGSIEB | SUCTION SIEVE | FILTRE D'ASPIRATION |
| * 0355105 | PASSFEDER A 8X7X22 | FEATHER KEY A 8X7X22 | RESSORT D'AJUSTAGE A 8X7X22 |
| * 0355101 | PASSFEDER A 8X7X20 | FEATHER KEY A 8X7X20 | RESSORT D'AJUSTAGE A 8X7X20 |
| MOTOR | SIEHE ELEKTROSCHALTPLAN | SEE ELECTRIC WIRING DIAGRAM | VOIR SCHEMA ELECTRIQUE |
| 0335015 | SKT.-MUTTER M8 | HEXAGON NUT M8 | ECROU A 6 PANS M8 |
| 0340006 | U-SCHEIBE MS. VERN. Ø18XØ8,4X2 | WASHER BRASS NICKELED Ø18XØ8,4X2 | RONDELLE EN LAITON NICKELE Ø18XØ8,4X2 |
| 8100131 | U-SCHEIBE Ø38XØ24,1X1 | SUPPORT DISC Ø38XØ24,1X1 | RONDELLE Ø38XØ24,1X1 |
| 0341012 | FEDERRING 6MM | SPRING RING 6MM | RESSORT 6MM |
| 0302055 | SKT.-SCHRAUBE M6X12 | HEXAGON SCREW M6X12 | VIS A 6 PANS M6X12 |
| 0308210 | SCHRAUBE M6X10 | SCREW M6X10 | VIS M6X10 |

2.1 WASCHSYSTEM, 3 ARME OBEN



2.1 WASH SYSTEM, 3 WASH ARMS ABOVE

2.1 SYSTEME DE LAVAGE, 3 BRAS DE LAVAGE EN HAUT



2.1 WASCHSYSTEM, 3 ARME OBEN



2.1 WASH SYSTEM, 3 WASH ARMS ABOVE

2.1 SYSTEME DE LAVAGE, 3 BRAS DE LAVAGE EN HAUT

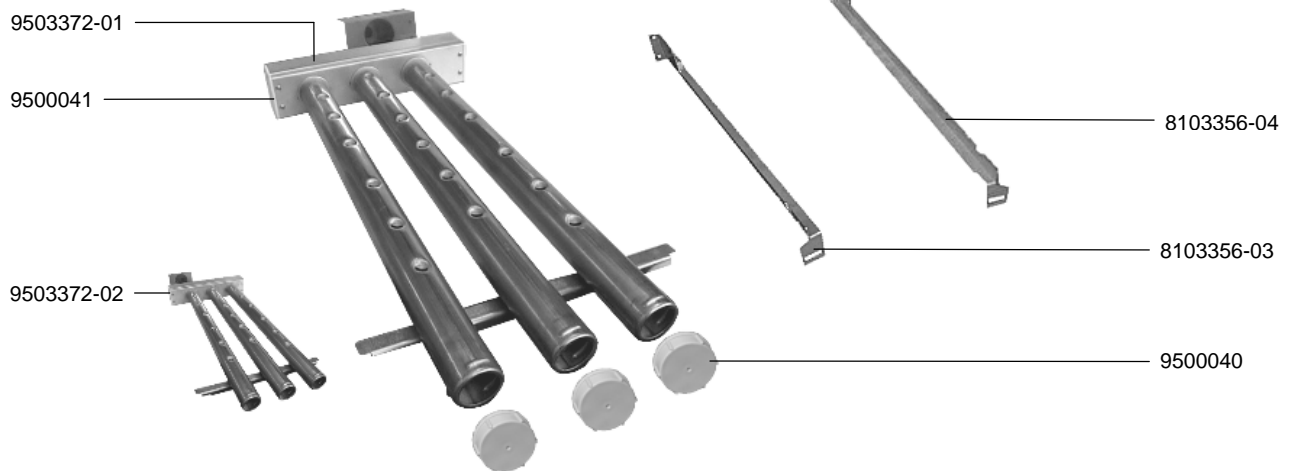
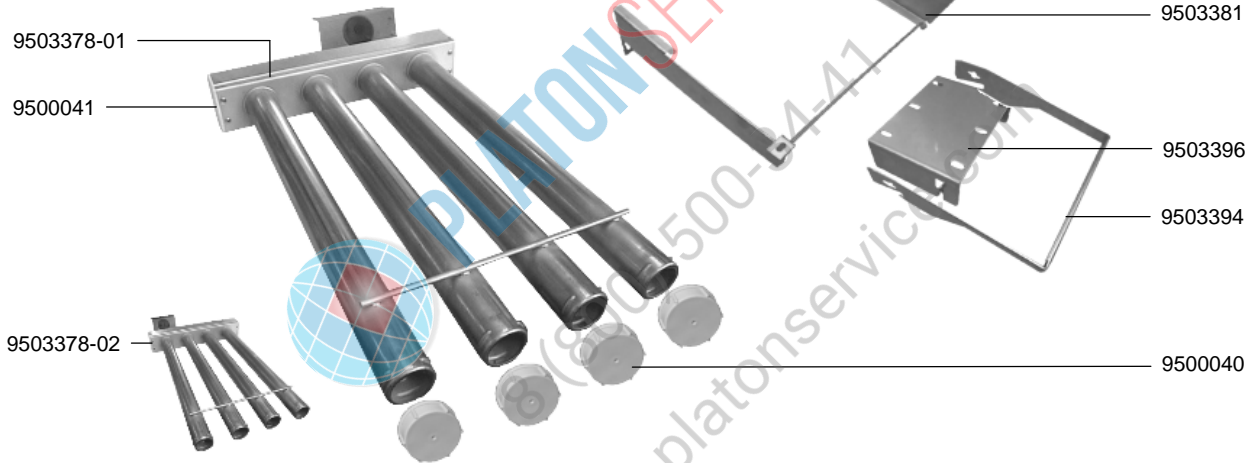
| IDENT.-NR. IDENT.-NO. | BEZEICHUNG | DESIGNATION | DESIGNATION |
|--------------------------|----------------------------|---------------------------|--------------------------------|
| 8103604 | AUFLAGE | SUPPORT | SUPPORT |
| 8103613 | BEFESTIGUNGSBÜGEL | FIXING BOW | BOUCLE DE FIXATION |
| 8103616 | BÜGEL | BOW | BOUCLE |
| * 9500040 | VERSCHLUSSKAPPE | CLOSING CAP | CAPOUCHON |
| 8103356-04 | SEITENFÜHRUNG RECHTS | GUIDANCE RIGHT | GUIDAGE DROITE |
| 8103356-03 | SEITENFÜHRUNG LINKS | GUIDANCE LEFT | GUIDAGE GAUCHE |
| 8103600-02 | WASCHSYSTEM UNTEN KPL. R-L | LOWER WASHSYSTEM CPL. R-L | SYSTEME DE LAVAGE INF. CPL D-G |
| 9500041 | DECKEL | LID | COVERCLE |
| 8103600-01 | WASCHSYSTEM UNTEN KPL. L-R | LOWER WASHSYSTEM CPL. L-R | SYSTEME DE LAVAGE INF. CPL G-D |
| 8103602-01 | WASCHSYSTEM OBEN KPL. L-R | UPPER WASHSYSTEM CPL. L-R | SYSTEME DE LAVAGE SUP. CPL.G-D |
| 8103602-02 | WASCHSYSTEM OBEN KPL. R-L | UPPER WASHSYSTEM CPL. R-L | SYSTEME DE LAVAGE SUP. CPL.D-G |

2.2 WASCHSYSTEM, 4 ARME OBEN



2.2 WASH SYSTEM, 4 WASH ARMS ABOVE

2.2 SYSTEME DE LAVAGE, 4 BRAS DE LAVAGE EN HAUT



2.2 WASCHSYSTEM, 4 ARME OBEN



2.2 WASH SYSTEM, 4 WASH ARMS ABOVE

2.2 SYSTEME DE LAVAGE, 4 BRAS DE LAVAGE EN HAUT

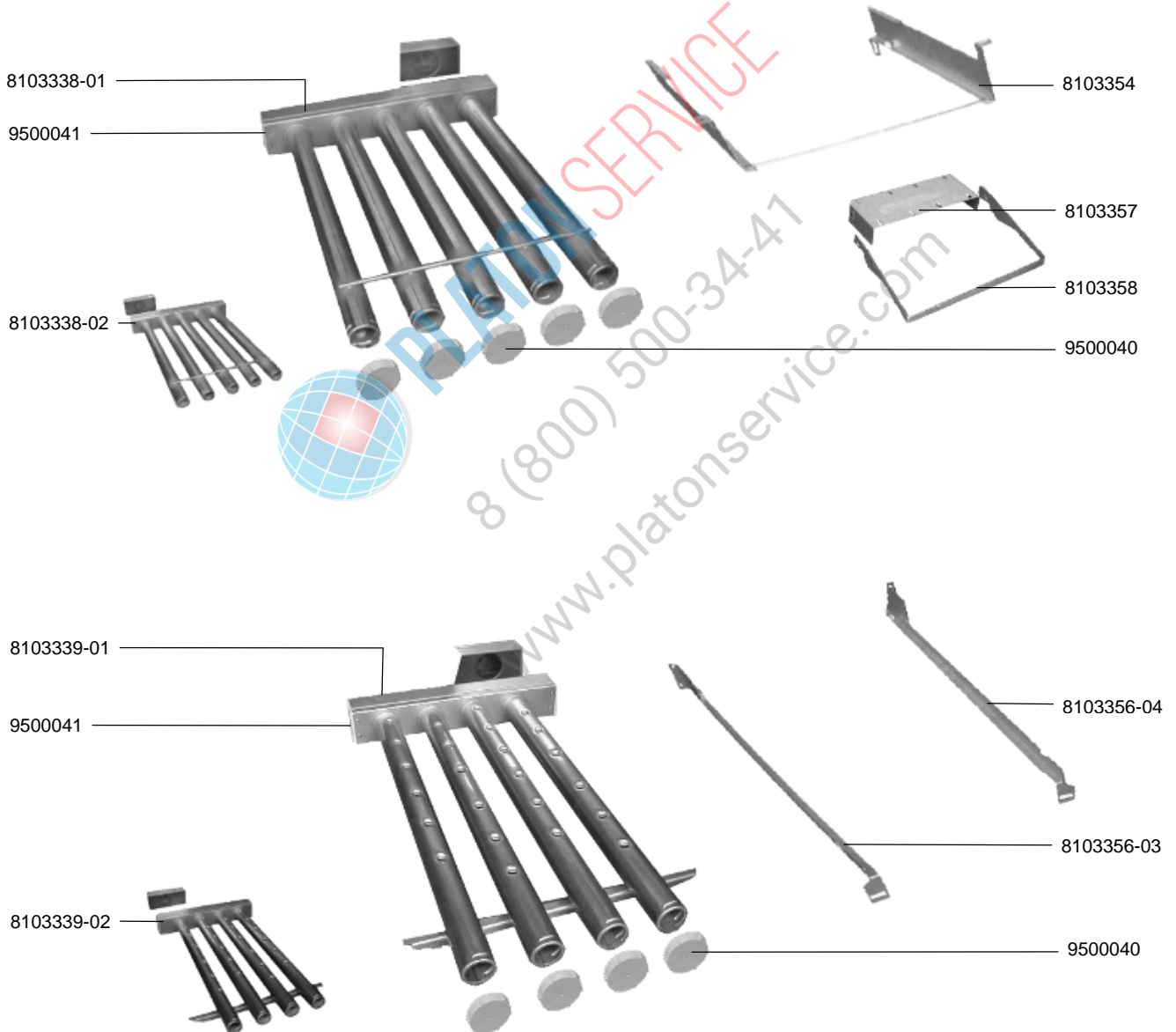
| IDENT.-NR. IDENT.-NO. | BEZEICHNUNG | DESIGNATION | DESIGNATION |
|--------------------------|----------------------------|---------------------------|--------------------------------|
| 9503381 | AUFLAGE | SUPPORT | SUPPORT |
| 9503396 | BEFESTIGUNGSBÜGEL | FIXING BOW | BOUCLE DE FIXATION |
| 9503394 | BÜGEL | BOW | BOUCLE |
| * 9500040 | VERSCHLUSSKAPPE | CLOSING CAP | CAPOUCHON |
| 8103356-04 | SEITENFÜHRUNG | GUIDANCE RIGHT | GUIDAGE DROITE |
| 8103356-03 | SEITENFÜHRUNG | GUIDANCE LEFT | GUIDAGE GAUCHE |
| 9503372-02 | WASCHSYSTEM UNTEN KPL. R-L | LOWER WASHSYSTEM CPL. R-L | SYSTEME DE LAVAGE INF. CPL D-G |
| 9500041 | DECKEL | LID | COVERCLE |
| 9503372-01 | WASCHSYSTEM UNTEN KPL. L-R | LOWER WASHSYSTEM CPL. L-R | SYSTEME DE LAVAGE INF. CPL G-D |
| 9503378-02 | WASCHSYSTEM OBEN KPL. R-L | UPPER WASHSYSTEMCPL. R-L | SYSTEME DE LAVAGE SUP. CPL.D-G |
| 9503378-01 | WASCHSYSTEM OBEN KPL. L-R | UPPER WASHSYSTEM CPL. L-R | SYSTEME DE LAVAGE SUP. CPL.G-D |

2.3 WASCHSYSTEM, 5 ARME OBEN



2.3 WASH SYSTEM, 5 WASH ARMS ABOVE

2.3 SYSTEME DE LAVAGE, 5 BRAS DE LAVAGE EN HAUT



2.3 WASCHSYSTEM, 5 ARME OBEN



2.3 WASH SYSTEM, 5 WASH ARMS ABOVE

2.3 SYSTEME DE LAVAGE, 5 BRAS DE LAVAGE EN HAUT

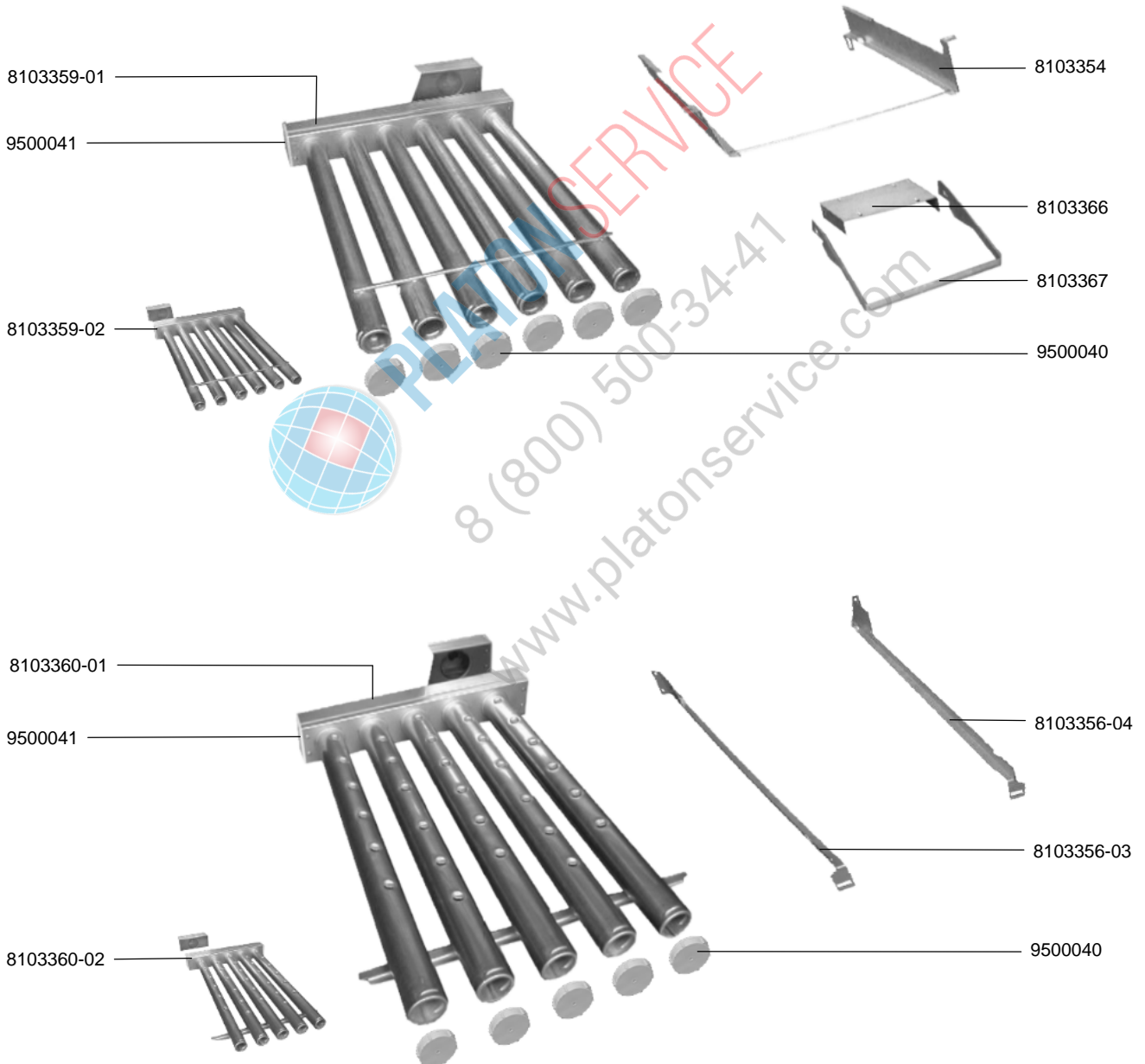
| IDENT.-NR. IDENT.-NO. | BEZEICHNUNG | DESIGNATION | DESIGNATION |
|--------------------------|----------------------------|---------------------------|--------------------------------|
| 8103354 | AUFLAGE | SUPPORT | SUPPORT |
| 8103357 | BEFESTIGUNGSBÜGEL | FIXING BOW | BOUCLE DE FIXATION |
| 8103358 | BÜGEL | BOW | BOUCLE |
| * 9500040 | VERSCHLUSSKAPPE | CLOSING CAP | CAPOUCHON |
| 8103356-04 | SEITENFÜHRUNG RECHTS | GUIDANCE RIGHT | GUIDAGE DROITE |
| 8103356-03 | SEITENFÜHRUNG LINKS | GUIDANCE LEFT | GUIDAGE GAUCHE |
| 8103339-02 | WASCHSYSTEM UNTEN KPL. R-L | LOWER WASHSYSTEM CPL. R-L | SYSTEME DE LAVAGE INF. CPL D-G |
| 9500041 | DECKEL | LID | COVERCLE |
| 8103339-01 | WASCHSYSTEM UNTEN KPL. L-R | LOWER WASHSYSTEM CPL. L-R | SYSTEME DE LAVAGE INF. CPL G-D |
| 8103338-02 | WASCHSYSTEM OBEN KPL. R-L | UPPER WASHSYSTEMCPL. R-L | SYSTEME DE LAVAGE SUP. CPL.D-G |
| 8103338-01 | WASCHSYSTEM OBEN KPL. L-R | UPPER WASHSYSTEM CPL. L-R | SYSTEME DE LAVAGE SUP. CPL.G-D |

2.4 WASCHSYSTEM, 6 ARME OBEN



2.4 WASH SYSTEM, 6 WASH ARMS ABOVE

2.4 SYSTEME DE LAVAGE, 6 BRAS DE LAVAGE EN HAUT



2.4 WASCHSYSTEM, 6 ARME OBEN



2.4 WASH SYSTEM, 6 WASH ARMS ABOVE

2.4 SYSTEME DE LAVAGE, 6 BRAS DE LAVAGE EN HAUT

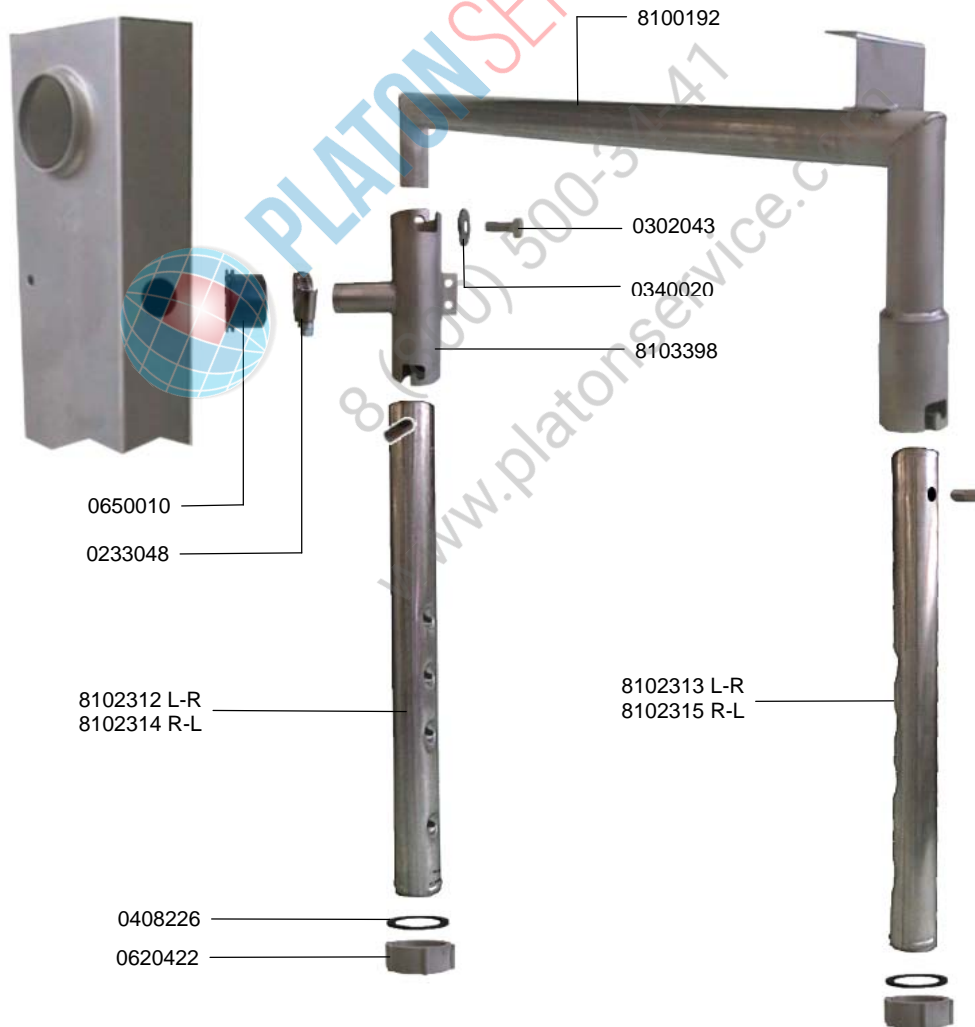
| IDENT.-NR. IDENT.-NO. | BEZEICHNUNG | DESIGNATION | DESIGNATION |
|--------------------------|----------------------------|---------------------------|--------------------------------|
| 8103354 | AUFLAGE | SUPPORT | SUPPORT |
| 8103366 | BEFESTIGUNGSBÜGEL | FIXING BOW | BOUCLE DE FIXATION |
| 8103367 | BÜGEL | BOW | BOUCLE |
| * 9500040 | VERSCHLUSSKAPPE | CLOSING CAP | CAPOUCHON |
| 8103356-04 | SEITENFÜHRUNG RECHTS | GUIDANCE RIGHT | GUIDAGE DROITE |
| 8103356-03 | SEITENFÜHRUNG LINKS | GUIDANCE LEFT | GUIDAGE GAUGE |
| 8103360-02 | WASCHSYSTEM UNTEN KPL. R-L | LOWER WASHSYSTEM CPL. R-L | SYSTEME DE LAVAGE INF. CPL D-G |
| 9500041 | DECKEL | LID | COVERCLE |
| 8103360-01 | WASCHSYSTEM UNTEN KPL. L-R | LOWER WASHSYSTEM CPL. L-R | SYSTEME DE LAVAGE INF. CPL G-D |
| 8103359-02 | WASCHSYSTEM OBEN KPL. R-L | UPPER WASHSYSTEMCPL. R-L | SYSTEME DE LAVAGE SUP. CPL.D-G |
| 8103359-01 | WASCHSYSTEM OBEN KPL. L-R | UPPER WASHSYSTEM CPL. L-R | SYSTEME DE LAVAGE SUP. CPL.G-D |

2.5 SEITLICHES WASCHSYSTEM



2.5 LATERAL WASH SYSTEM

2.5 SYSTEME DE LAVAGE LATERAL



2.5 SEITLICHES WASCHSYSTEM



2.5 LATERAL WASH SYSTEM

2.5 SYSTEME DE LAVAGE LATERAL

| IDENT.-NR. IDENT.-NO. | BEZEICHNUNG | DESIGNATION | DESIGNATION |
|--------------------------|----------------------|-----------------------|--------------------------|
| 8100192 | VERTEILERROHR | DISTRIBUTING PIPE | TUYAU DISTRIBUTEUR |
| 0302043 | SKT.SCHRAUBE M5X10 | HEXAGONE SCREW M5X10 | VIS A 6 PANS M5X10 |
| 0340020 | SCHEIBE | DISK | DISQUE |
| 8103398 | BAJONETTROHR | DISTRIBUTING BAYONET | BAIONNETTE DISTRIBUTEUR |
| 8102313 | WASCHARM KPL. R-L | WASH ARM CPL. R-L | BRAS DE LAVAGE CPL.D-G |
| 8102315 | WASCHARM KPL. R-L | WASH ARM CPL. R-L | BRAS DE LAVAGE CPL.D-G |
| * 0620422 | VERSCHLUSSKAPPE | CLOSING CAP | CAPOUCHON |
| V 0408226 | DICHTUNG | PACKING | JOINT |
| 8102314 | WASCHARM KPL. L-R | WASH ARM CPL. L-R | BRAS DE LAVAGE CPL.G-D |
| 8102312 | WASCHARM KPL. L-R | WASH ARM CPL. L-R | BRAS DE LAVAGE CPL.G-D |
| 0233048 | SCHLAUCHKLEMME 20-32 | HOSE WIRE CLAMP 20-32 | COLLIER DE SERRAGE 20-32 |
| 0650010 | GUMMITUILLE | RUBBER BUSHING | DOUILLE EN CAOUTCHOUC |

2.5.1 SEITLICHES WASCHSYSTEM



2.5.1 LATERAL WASH SYSTEM

2.5.1 SYSTEME DE LAVAGE LATERAL



2.5.1 SEITLICHES WASCHSYSTEM



2.5.1 LATERAL WASH SYSTEM

2.5.1 SYSTEME DE LAVAGE LATERAL

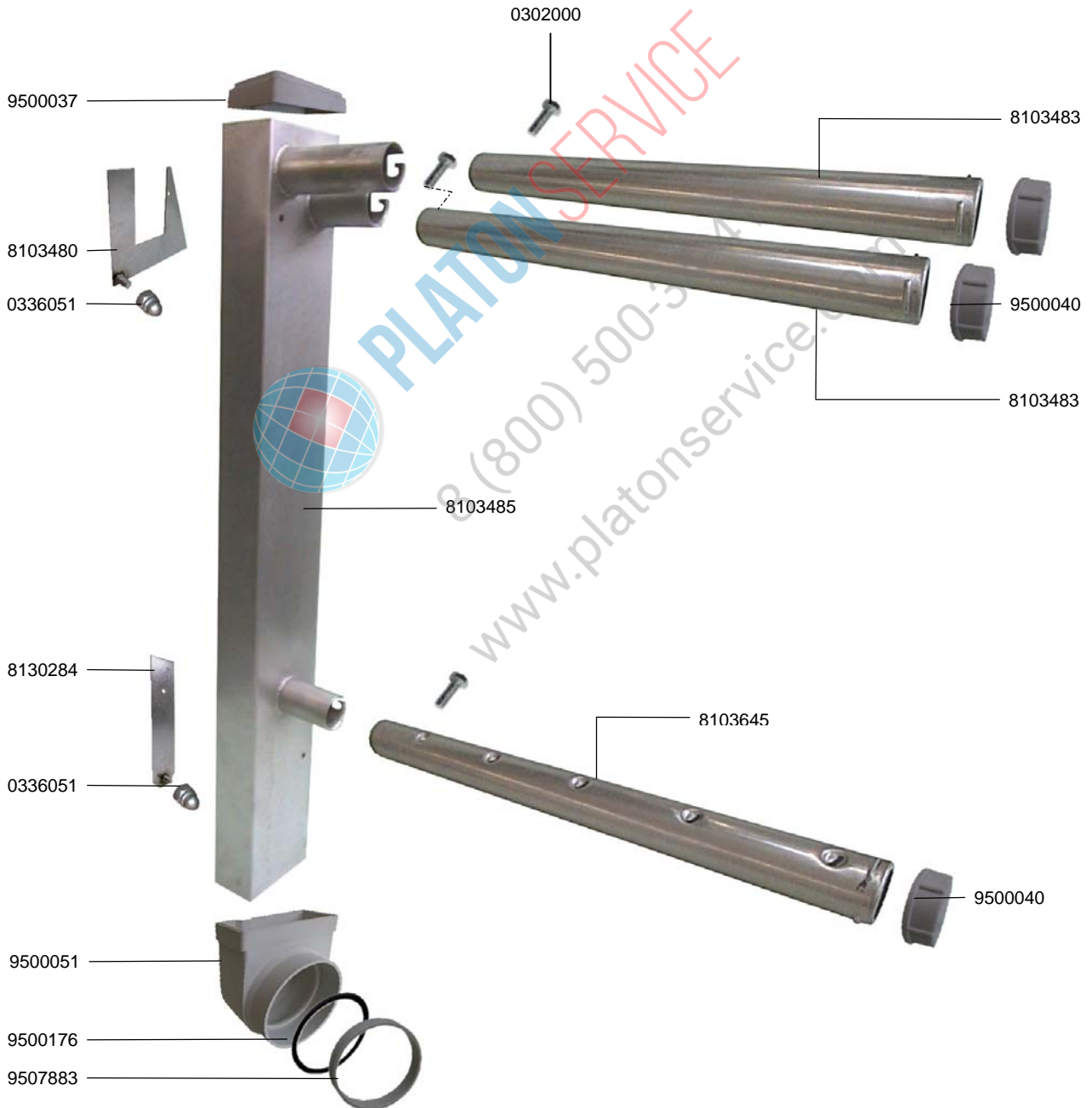
| IDENT.-NR. IDENT.-NO. | BEZEICHNUNG | DESIGNATION | DESIGNATION |
|--------------------------|----------------------|-----------------------|---------------------------|
| 9533755 | VERSCHLUSSKAPPE | CLOSING CAP | CAPOUCHON |
| 0302001 | SKT.-SCHRAUBE M6X15 | HEXAGON SCREW M6X15 | VIS A 6 PANS M6X15 |
| 9533849 | WASCHARM KPL | WASH ARM CPL | BRAS DE LAVAGE |
| 9533933-01 | VERTEILERROHR L-R | DISTRIBUTION PIPE L-R | TUYAU DE DISTRIBUTION L-R |
| 9533933-02 | VERTEILERROHR R-L | DISTRIBUTION PIPE R-L | TUYAU DE DISTRIBUTION R-L |
| 0233048 | SCHLAUCHKLEMME 20-32 | HOSE WIRE CLAMP 20-32 | COLLIER DE SERRAGE 20-32 |
| 0650010 | GUMMITUILLE | RUBBER BUSHING | DOUILLE EN CAOUTCHOUC |

3.1 STEIGROHR KPL., 0,55KW



3.1 ASCENDING PIPE CPL., 0,55KW

3.1 CONDUITE ASCENDANTE CPL., 0,55KW



3.1 STEIGROHR KPL., 0,55KW



3.1 ASCENDING PIPE CPL., 0,55KW

3.1 CONDUITE ASCENDANTE CPL., 0,55KW

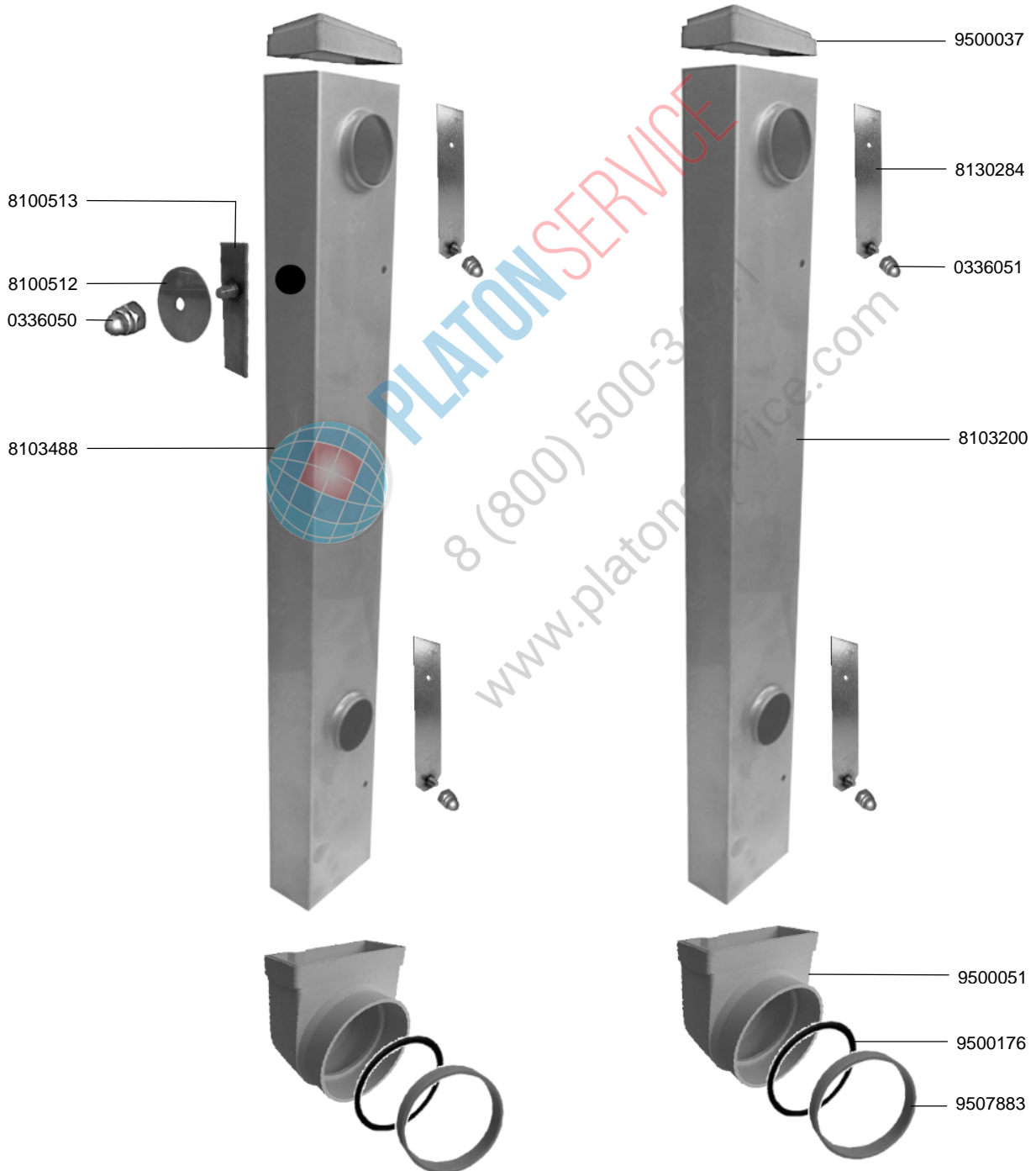
| IDENT.-NR. IDENT.-NO. | BEZEICHNUNG | DESIGNATION | DESIGNATION |
|--------------------------|---------------------|---------------------------|------------------------------------|
| 8103483 | WASCHARM OBEN KPL. | UPPER WASH ARM CPL. | BRAS DE LAVAGE SUP. CPL. |
| * 9500040 | VERSCHLUSSKAPPE | CLOSING CAP | CAPOUCHON |
| 8103485 | STEIGROHR | ASCENDING PIPE | CONDUITE ASCENDANTE |
| 8103645 | WASCHARM UNTEN KPL. | LOWER WASH ARM CPL. | BRAS DE LAVAGE INF. CPL. |
| 9507883 | STÜTZRING | SUPPORT RING | BAGUE DE SUPPORT |
| 9500176 | O-RING | O-RING | BAGUE |
| 9500051 | STEIGROHRANSCHLUSS | ASCENDING PIPE CONNECTION | CONNEXION POUR CONDUITE ASCENDANTE |
| 0336051 | HUTMUTTER M6 | CAP NUT M6 | ECROU BORGNE M6 |
| 8130284 | DROSSELBLECH | THROTTLE PLATE | TOLE DE D'ETRANGLEMENT |
| 8103480 | STEIGROHRDROSSEL | THROTTLE PLATE | TOLE DE D'ETRANGLEMENT |
| 9500037 | STEIGROHRDECKEL | LID | COUVERCLE |
| 0302000 | SKT.-SCHRAUBE M6X10 | HEXAGON SCREW M6X10 | VIS A 6 PANS M6X10 |

3.2 STEIGROHR, 2,2KW / 4,0KW



3.2 ASCENDING PIPE, 2,2KW / 4,0KW

3.2 CONDUITE ASCENDANTE, 2,2KW / 4,0KW



3.2 STEIGROHR, 2,2KW / 4,0KW



3.2 ASCENDING PIPE, 2,2KW / 4,0KW

3.2 CONDUITE ASCENDANTE, 2,2KW / 4,0KW

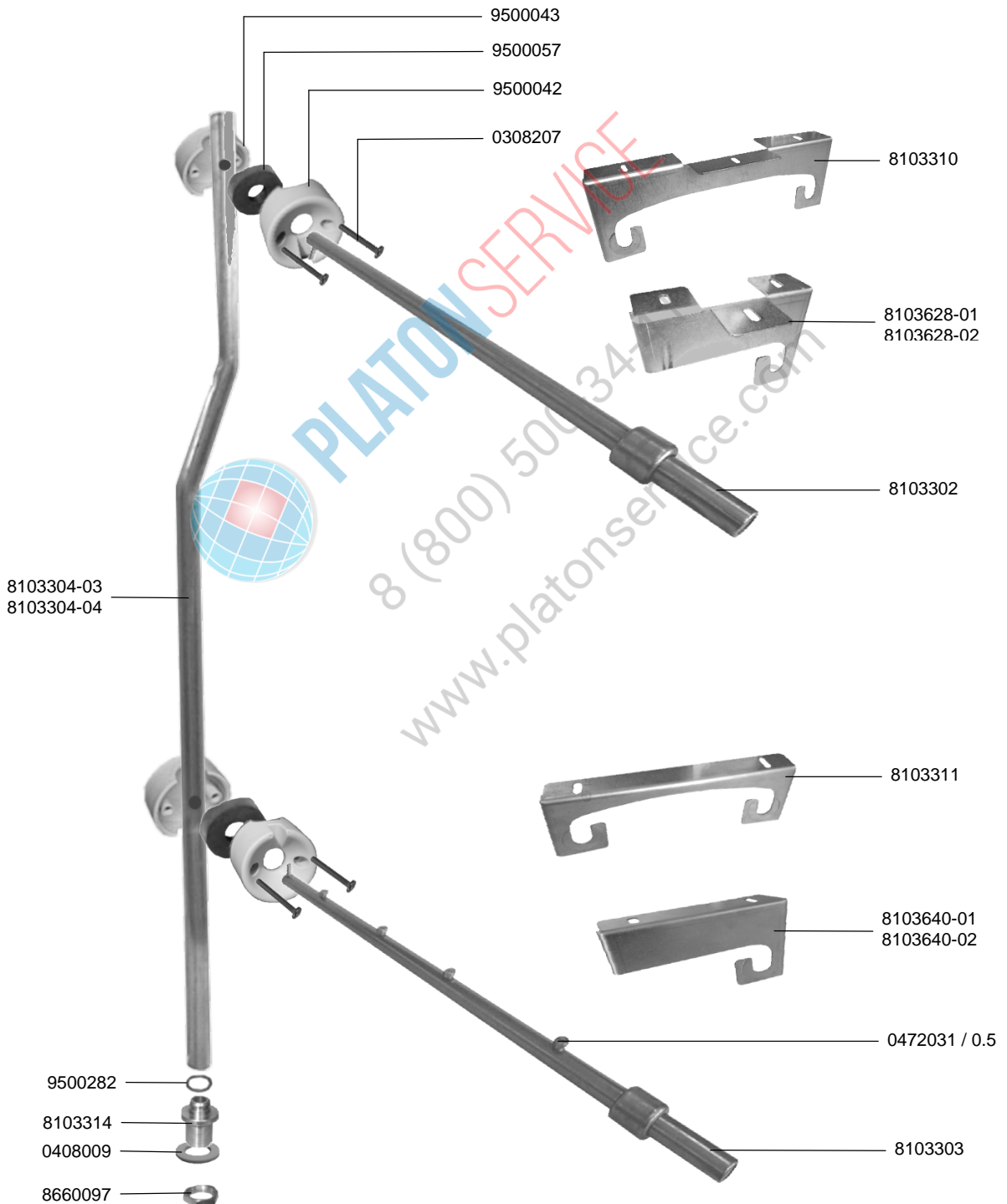
| IDENT.-NR. IDENT.-NO. | BEZEICHNUNG | DESIGNATION | DESIGNATION |
|--------------------------|--------------------------|---------------------------|------------------------------------|
| 9500037 | STEIGROHRDECKEL | LID | COUVERCLE |
| 8130284 | DROSSELBLECH | THROTTLE PLATE | TOLE DE D'ETRANGLEMENT |
| 0336051 | HUTMUTTER M6 | CAP NUT M6 | ECROU BORGNE M6 |
| 8103200 | STEIGROHR | ASCENDING PIPE | CONDUITE ASCENDANTE |
| 9500051 | STEIGROHRANSCHLUSS | ASCENDING PIPE CONNECTION | CONNEXION POUR CONDUITE ASCENDANTE |
| * 9500176 | O-RING | O-RING | O-RING |
| 9507883 | STÜTZRING | SUPPORT RING | BAGUE DE SUPPORT |
| 8103488 | STEIGROHR | ASCENDING PIPE | CONDUITE ASCENDANTE |
| 0336050 | HUTMUTTER M5 | CAP NUT M5 | ECROU BORGNE M5 |
| 8100512 | SCHEIBE | DISK | DISQUE |
| 8100513 | STEIGROHRVERSCHLUSSBLECH | STOPPER | TOLE DE OBTURATION |

4.1 FRISCHWASSERKLARSPÜLUNG, STANDARD



4.1 FRESH WATER FINAL RINSE, STANDARD

4.1 RINCAGE FINAL A L'EAU CLAIRE, STANDARD



4.1 FRISCHWASSERKLARSPÜLUNG, STANDARD



4.1 FRESH WATER FINAL RINSE, STANDARD

4.1 RINÇAGE FINAL A L'EAU CLAIRE, STANDARD

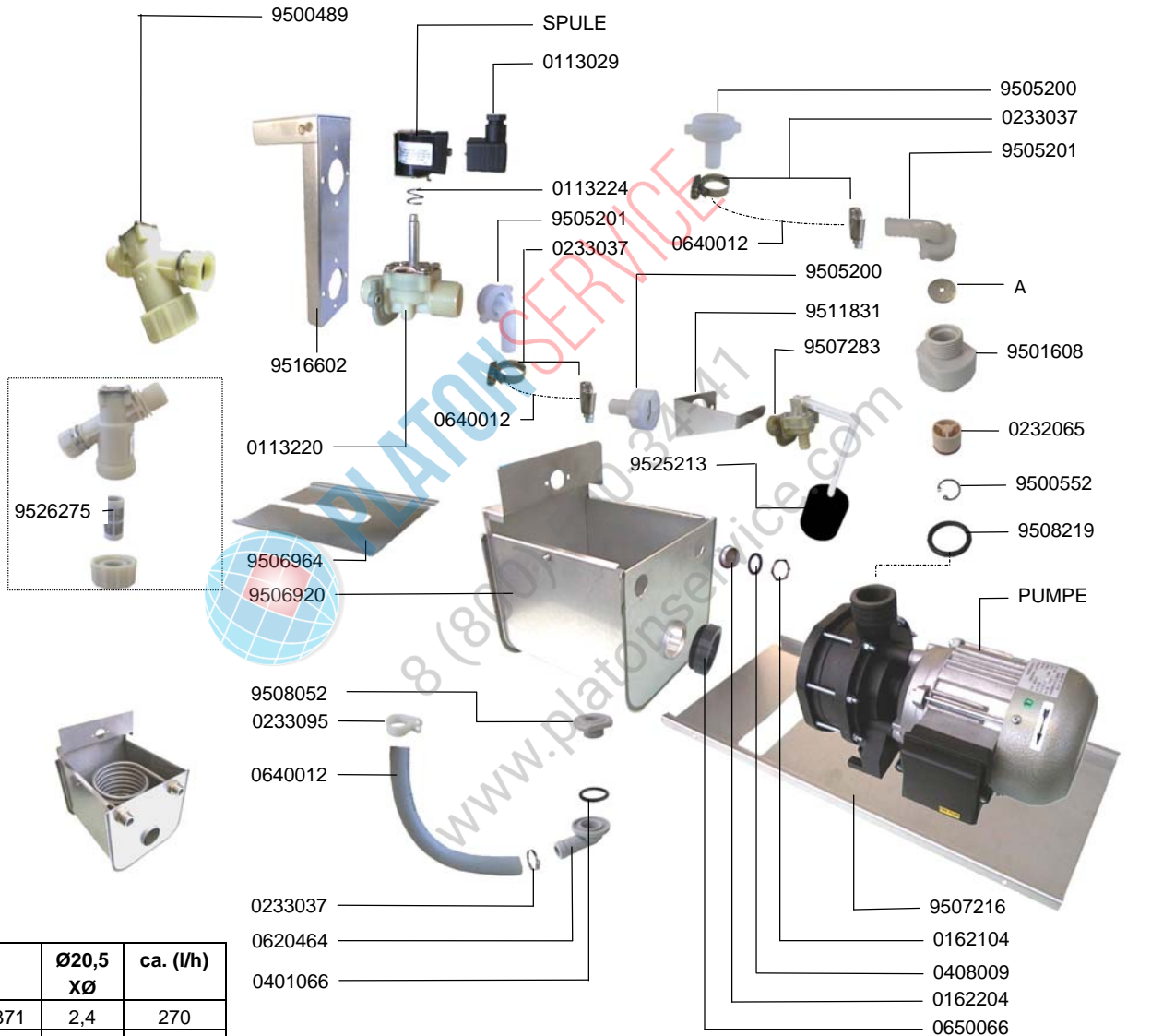
| IDENT.-NR. IDENT.-NO. | BEZEICHNUNG | DESIGNATION | DESIGNATION |
|--------------------------|---------------------|----------------------|----------------------------|
| * 9500043 | KUPPLUNG RÜCKTEIL | CLUTCH BACK PART. | ACCOUPLLEMENT ARRIERE |
| * 9500057 | DICHTUNG | PACKING | JOINT |
| * 9500042 | KUPPLUNG VORDERTEIL | CLUTCH FRONT PART | ACCOUPLLEMENT FRONTALE |
| 0308207 | SCHRAUBE M4X10 | SCREW M4X10 | VIS M4X10 |
| 8103310 | HALTERUNG OBEN | UPPER SUPPORT | SUPPORT SUP. |
| 8103628-01 | HALTERUNG OBEN L-R | UPPER SUPPORT L-R | SUPPORT SUP. G-D |
| 8103628-02 | HALTERUNG OBEN R-L | UPPER SUPPORT R-L | SUPPORT SUP. D-G |
| 8103302 | WASCHARM OBEN KPL. | UPPER WASH ARM CPL. | BRAS DE LAVAGE SUP. CPL. |
| 8103311 | HALTERUNG UNTEN | LOWER SUPPORT | SUPPORT INF. |
| 8103640-01 | HALTERUNG UNTEN L-R | LOWER SUPPORT L-R | SUPPORT INF. G-D |
| 8103640-02 | HALTERUNG UNTEN R-L | LOWER SUPPORT R-L | SUPPORT INF. D-G |
| * 0472031 | DÜSE 0.5 | NOZZLE 0.5 | GICLEUR 0.5 |
| 8103303 | WASCHARM UNTEN KPL. | LOWER WASH ARM CPL. | BRAS DE LAVAGE INF. CPL. |
| 8660097 | SKT.MUTTER | HEXAGON NUT | ECROU A 6 PANS |
| 0408009 | DICHTUNG | PACKING | JOINT |
| 8103314 | TANKDURCHFÜHRUNG | TANK THROUGH-LEAD | TRAVERSEE DU BAC |
| 9500282 | O-RING | O-RING | BAGUE |
| 8103304-04 | STEIGROHR RECHTS | ASCENDING PIPE RIGHT | CONDUITE ASCENDANTE DROITE |
| 8103304-03 | STEIGROHR LINKS | ASCENDING PIPE LEFT | CONDUITE ASCENDANTE GAUGE |

4.2 FRISCHWASSERNETZTRENNUNG



4.2 FRESH WATER MAINS ISOLATING DEVICE

4.2 DIPOSITIF DE SEPERATION DU RESEAU D' EAU



| A | Ø20,5 XØ | ca. (l/h) |
|---------|-------------|-----------|
| 9502371 | 2,4 | 270 |
| 9502372 | 2,5 | 280 |
| 9515128 | 2,6 | 290 |
| 9515129 | 2,7 | 300 |
| 9515130 | 2,8 | 320 |
| 9515131 | 2,9 | 330 |
| 9515132 | 3,0 | 330/340 |
| 9515133 | 3,1 | 350 |
| 9515150 | 3,2 | 360/380 |
| 9515151 | 3,3 | 400 |



4.2 FRISCHWASSERNETZTRENNUNG



4.2 FRESH WATER MAINS ISOLATING DEVICE

4.2 DIPOSITIF DE SEPERATION DU RESEAU D' EAU

| IDENT.-NR. IDENT.-NO. | BEZEICHNUNG | DESIGNATION | DESIGNATION |
|--------------------------|--|---|--|
| SPULE | SIEHE ELEKTROSCHALTPLAN | SEE ELECTRIC WIRING DIAGRAM | VOIR SCHEMA ELECTRIQUE |
| 0113029 | STECKBÜCHSE | TIP JACK | FICHE FEMELLE |
| 9505200 | ANSCHLUSSTÜCK | CONNECTION PIECE | PIECE DE CONNEXION |
| 0233037 | SCHLAUCHKLEMME 16-27 | HOSE WIRE CLAMP 16-27 | COLLIER DE SERRAGE 16-27 |
| 9505201 | ANSCHLUSSWINKEL | CONNECTION ANGLE | ANGLE DE CONNEXION |
| * 0113224 | FEDER | SPRING | RESSORT |
| 0640012 | SCHLAUCH | HOSE | TUYAU |
| 9511831 | HALTEBLECH | SUPPORT | SUPPORT |
| * 9507283 | SCHWIMMERVENTIL | FLOAT VALVE | VANNE A FLOTTEUR |
| * 9525213 | SCHWIMMER | FLOAT | FLOTTEUR |
| 9502371 | DROSSELSCHEIBE Ø20,5XØ2,4; 270L/H | THROTTLE DISK Ø20,5XØ2,4; 270L/H | DISQUE D' ETRANGLEMENT Ø20,5XØ2,4; 270L/H |
| 9502372 | DROSSELSCHEIBE Ø20,5XØ2,5; 280L/H | THROTTLE DISK Ø20,5XØ2,5; 280L/H | DISQUE D' ETRANGLEMENT Ø20,5XØ2,5; 280L/H |
| 9515128 | DROSSELSCHEIBE Ø20,5XØ2,6; 290L/H | THROTTLE DISK Ø20,5XØ2,6; 290L/H | DISQUE D' ETRANGLEMENT Ø20,5XØ2,6; 290L/H |
| 9515129 | DROSSELSCHEIBE Ø20,5XØ2,7; 300L/H | THROTTLE DISK Ø20,5XØ2,7; 300L/H | DISQUE D' ETRANGLEMENT Ø20,5XØ2,7; 300L/H |
| 9515130 | DROSSELSCHEIBE Ø20,5XØ2,8; 320L/H | THROTTLE DISK Ø20,5XØ2,8; 320L/H | DISQUE D' ETRANGLEMENT Ø20,5XØ2,8; 320L/H |
| 9515131 | DROSSELSCHEIBE Ø20,5XØ2,9; 330L/H | THROTTLE DISK Ø20,5XØ2,9; 330L/H | DISQUE D' ETRANGLEMENT Ø20,5XØ2,9; 330L/H |
| 9515132 | DROSSELSCHEIBE Ø20,5XØ3,0; 330-340L/H | THROTTLE DISK Ø20,5XØ3,0; 330-340L/H | DISQUE D' ETRANGLEMENT Ø20,5XØ3,0; 330-340L/H |
| 9515133 | DROSSELSCHEIBE Ø20,5XØ3,1; 350L/H | THROTTLE DISK Ø20,5XØ3,1; 350L/H | DISQUE D' ETRANGLEMENT Ø20,5XØ3,1; 350L/H |
| 9515150 | DROSSELSCHEIBE Ø20,5XØ3,2; 360-380L/H | THROTTLE DISK Ø20,5XØ3,2; 360-380L/H | DISQUE DE ETRANGLEMENT Ø20,5XØ3,2; 360-380L/H |
| 9515151 | DROSSELSCHEIBE Ø20,5XØ3,3; 400L/H | THROTTLE DISK Ø20,5XØ3,3; 400L/H | DISQUE D' ETRANGLEMENT Ø20,5XØ3,3; 400L/H |
| 9501608 | ADAPTER | ADAPTER | ADAPTEUR |
| * 0232065 | RÜCKSCHLAGVENTIL | CHECK VALVE | CLAPET ANTI-RETOUR |
| * 9500552 | SICHERUNGSRING | SAFETY RING | BAGUE DE SECURITE |
| * 9508219 | O-RING | O-RING | BAGUE |
| PUMPE | SIEHE ELEKTROSCHALTPLAN | SEE ELECTRIC WIRING DIAGRAM | VOIR SCHEMA ELECTRIQUE |
| 9507216 | KONSOLE | CONSOLE | CONSOLE |
| 0162104 | GEGENMUTTER | COUNTER NUT | CONTRE-ECROU |
| 0408009 | DICHTUNG | PACKING | JOINT |
| 0162204 | BLINDSTOPFEN | BLIND PLUG | TAMPON BORGNE |
| * 0650066 | MUFFE | MUFF | MANCHON |
| * 9522401 | PUMPENLAUFRAD | PUMP WHEEL | ROUE DE POMPE |

4.2 FRISCHWASSERNETZTRENNUNG



4.2 FRESH WATER MAINS ISOLATING DEVICE

4.2 DIPOSITIF DE ISOLEMENT DU RESEAU DE EAU

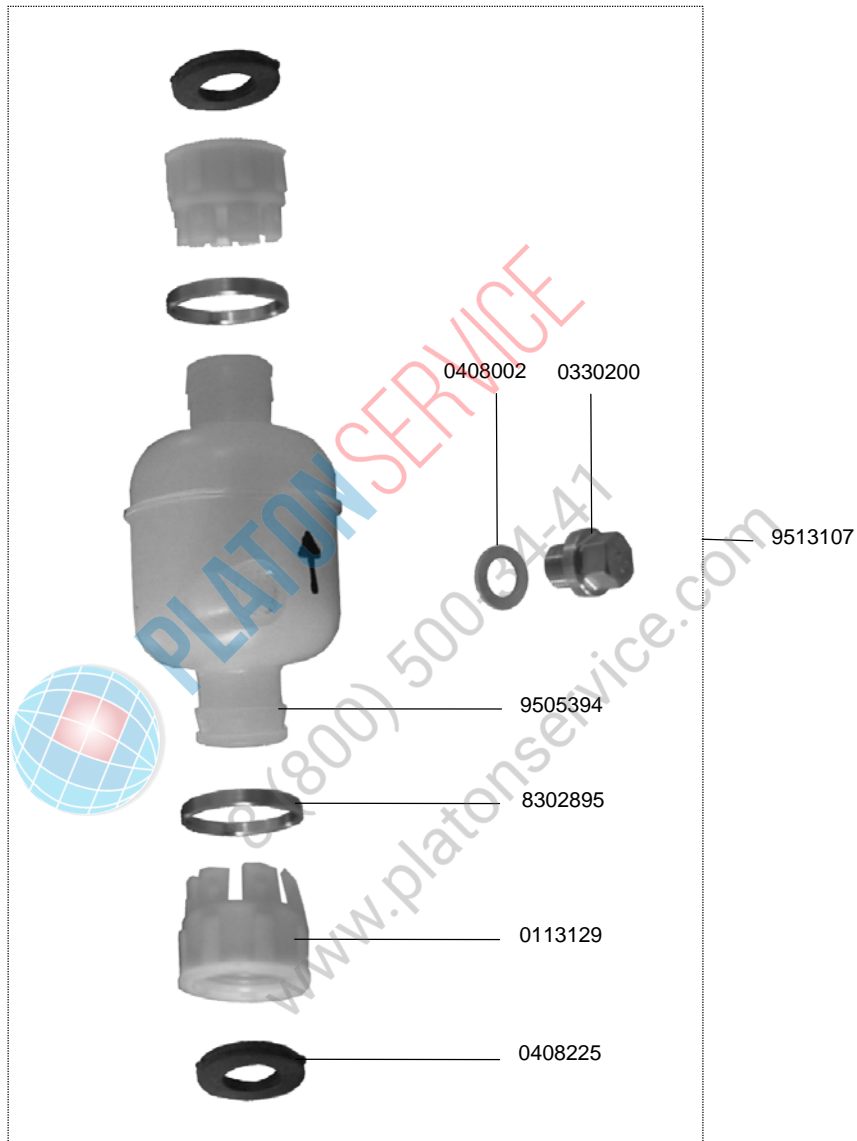
| IDENT.-NR. IDENT.-NO. | BEZEICHNUNG | DESIGNATION | DESIGNATION |
|--------------------------|----------------------|-----------------------|--------------------------|
| 9522402 | DICHTUNGSSATZ | PACKING | JOINT |
| 0401066 | O-RING | O-RING | BAGUE |
| 0620464 | ANSCHLUSSWINKEL | CONNECTION ANGLE | ANGLE DE CONNEXION |
| 0233095 | SCHLAUCHKLEMME 13-16 | HOSE WIRE CLAMP 13-16 | COLLIER DE SERRAGE 13-16 |
| 9508052 | VERSCHRAUBUNG | SCREWING | VISSAGE |
| 9526275 | SIEB | SIEVE | TAMIS |
| 9506920 | BEHÄLTER | CONTAINER | CONTENEUR |
| 9506964 | DECKEL | LID | COUVERCLE |
| 0113220 | MAGNETVENTIL | SOLENOID VALVE | ELECTROVANNE |
| 9516602 | HALTERUNG | SUPPORT | SUPPORT |
| 9500489 | SCHMUTZFÄNGER | DIRT TRAP | COLLECTEUR DE SELETE |

4.3 NETZMITTELMISCHBEHÄLTER



4.3 RINSE-AID MIXING CHAMBER

4.3 RESERVOIR DE MELANGE DE PRODUIT DE RINCAGE



IDENT.-NR.
IDENT.-NO.

BEZEICHNUNG

DESIGNATION

DESIGNATION

9513107

MISCHBEHÄLTER KPL.

MIXING CHAMBER CPL.

RESERVOIR DE MELANGE CPL.

0408002

DICHTUNG

PACKING

JOINT

0330200

VERSCHLUSSRAUBE 1/8"

SCREW 1/8"

VIS 1/8"

9505394

MISCHBEHÄLTER

MIXING CHAMBER

RESERVOIR DE MELANGE

8302895

HALTERING

RING

BAGUE

0113129

ANSCHLUSSTÜCK

CONNECTION PART

PIECE DE CONNEXION

0408225

DICHTUNG

PACKING

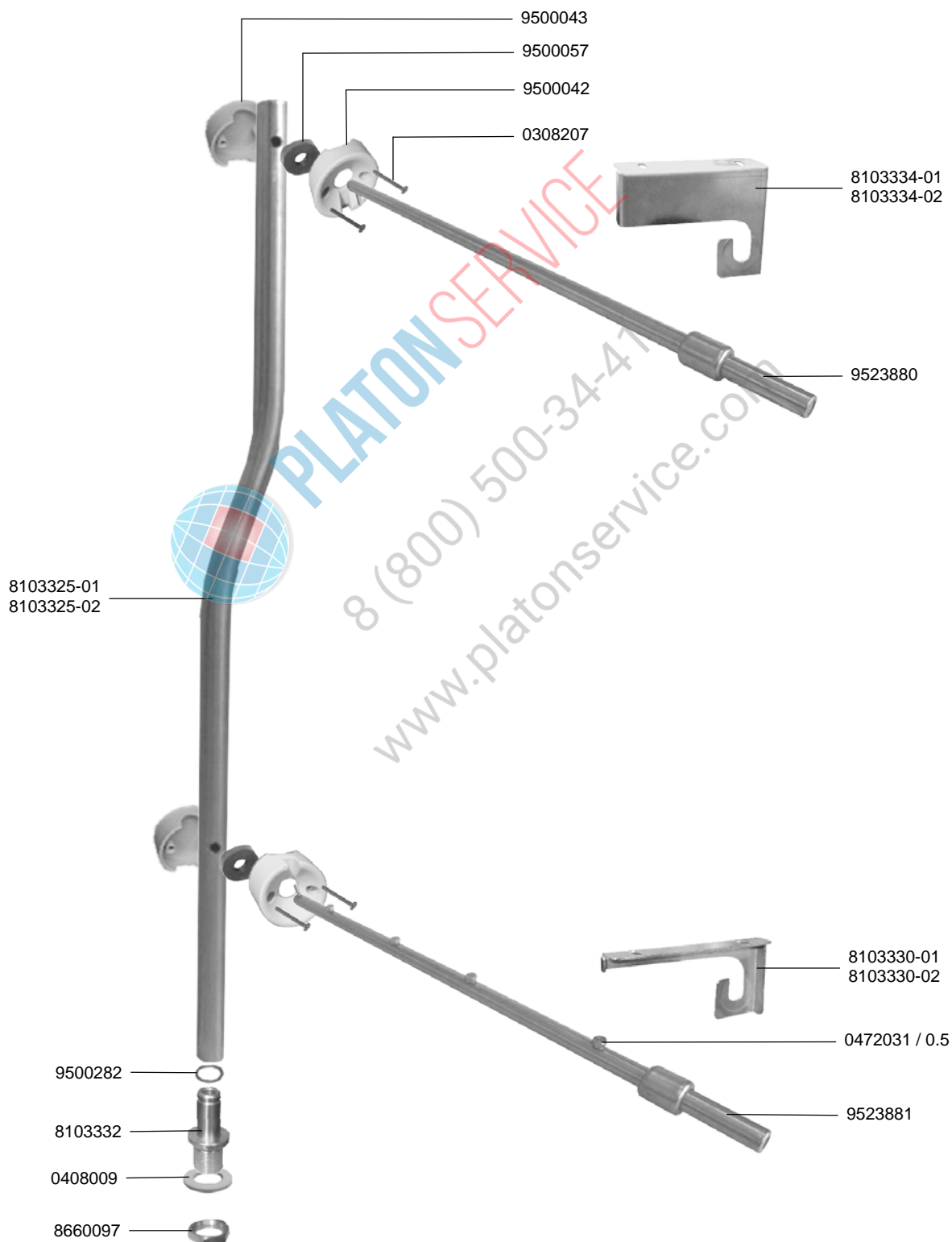
JOINT

4.4 FRISCHWASSERKLARSPÜLUNG, VERSETZT



4.4 FRESH WATER FINAL RINSE, DISPLACED

4.4 RINCAGE FINAL A L'EAU CLAIRE, DEPLACÉ



4.4 FRISCHWASSERKLARSPÜLUNG, VERSETZT



4.4 FRESH WATER FINAL RINSE, DISPLACED

4.4 RINCAGE FINAL A L'EAU CLAIRE, DEPLACÉ

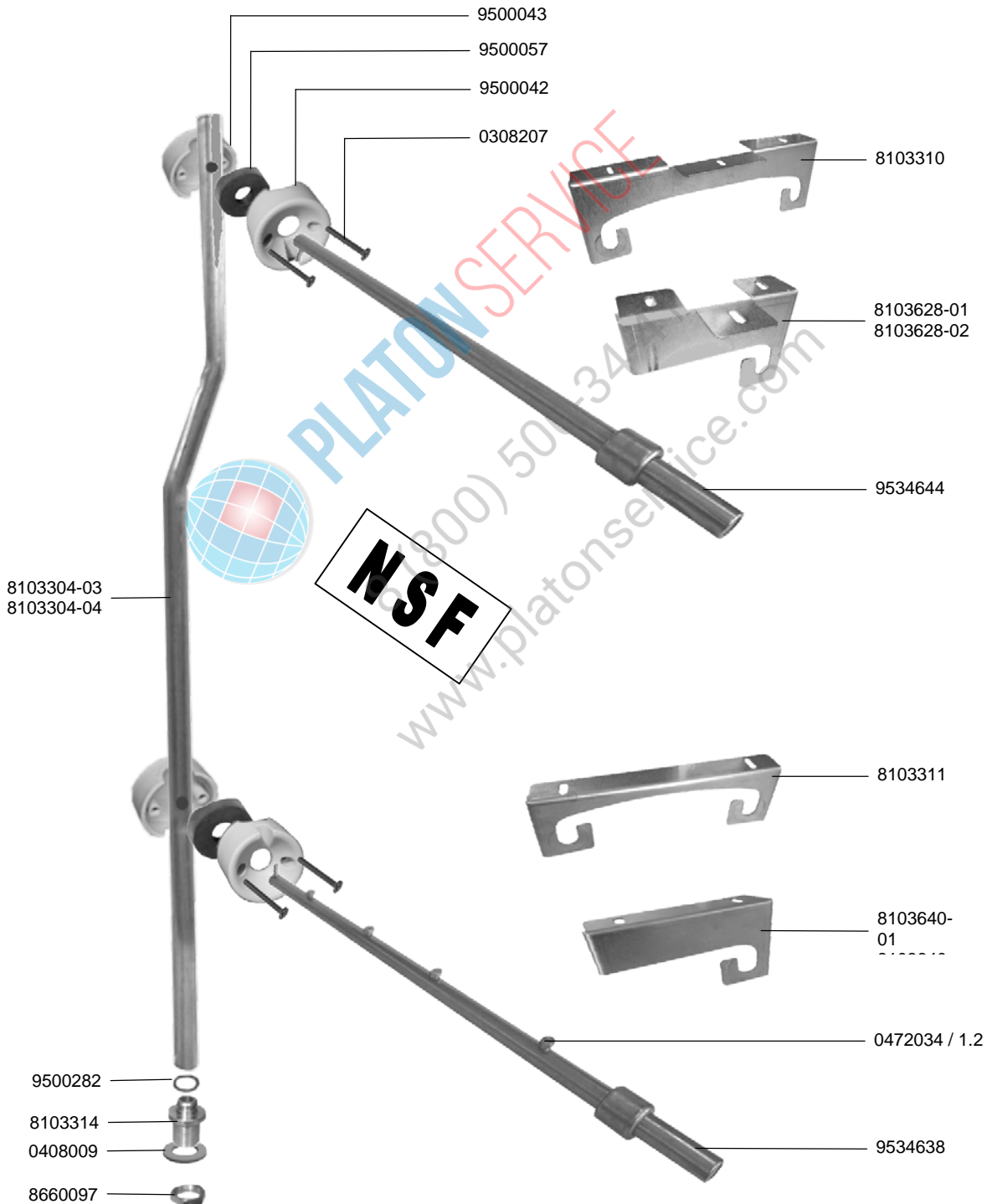
| IDENT.-NR. IDENT.-NO. | BEZEICHNUNG | DESIGNATION | DESIGNATION |
|--------------------------|---------------------|---------------------|--------------------------|
| * 9500043 | KUPPLUNG RÜCKTEIL | CLUTCH BACK PART. | ACCOUPLLEMENT ARRIERE |
| * 9500057 | DICHTUNG | PACKING | JOINT |
| * 9500042 | KUPPLUNG VORDERTEIL | CLUTCH FRONT PART | ACCOUPLLEMENT FRONTALE |
| 0308207 | SCHRAUBE M4X10 | SCREW M4X10 | VIS M4X10 |
| 8103334-01 | HALTERUNG OBEN L-R | UPPER SUPPORT L-R | SUPPORT SUP. G-D |
| 8103334-02 | HALTERUNG OBEN R-L | UPPER SUPPORT R-L | SUPPORT SUP. D-G |
| 9523880 | WASCHARM OBEN KPL. | UPPER WASH ARM CPL. | BRAS DE LAVAGE SUP. CPL. |
| 8103330-01 | HALTERUNG UNTEN L-R | LOWER SUPPORT L-R | SUPPORT INF. G-D |
| 8103330-02 | HALTERUNG UNTEN R-L | LOWER SUPPORT R-L | SUPPORT INF. D-G |
| * 0472031 | DÜSE 0.5 | NOZZLE 0.5 | GICLEUR 0.5 |
| 9523881 | WASCHARM UNTEN KPL. | LOWER WASH ARM CPL. | BRAS DE LAVAGE INF. CPL. |
| 8660097 | SKT.MUTTER | HEXAGON NUT | ECROU A 6 PANS |
| 0408009 | DICHTUNG | PACKING | JOINT |
| 8103332 | TANKDURCHFÜHRUNG | TANK THROUGH-LEAD | TRAVERSEE DU BAC |
| 9500282 | O-RING | O-RING | BAGUE |
| 8103325-02 | STEIGROHR R-L | ASCENDING PIPE R-L | COLONNE ASCENDANTE D-G |
| 8103325-01 | STEIGROHR L-R | ASCENDING PIPE L-R | CONDUITE ASCENDANTE G-D |

4.5 FRISCHWASSERKLARSPÜLUNG



4.5 FRESH WATER FINAL RINSE

4.5 RINCAGE FINAL A L'EAU CLAIRE



4.5 FRISCHWASSERKLARSPÜLUNG



4.5 FRESH WATER FINAL RINSE

4.5 RINCAGE FINAL A L'EAU CLAIRE

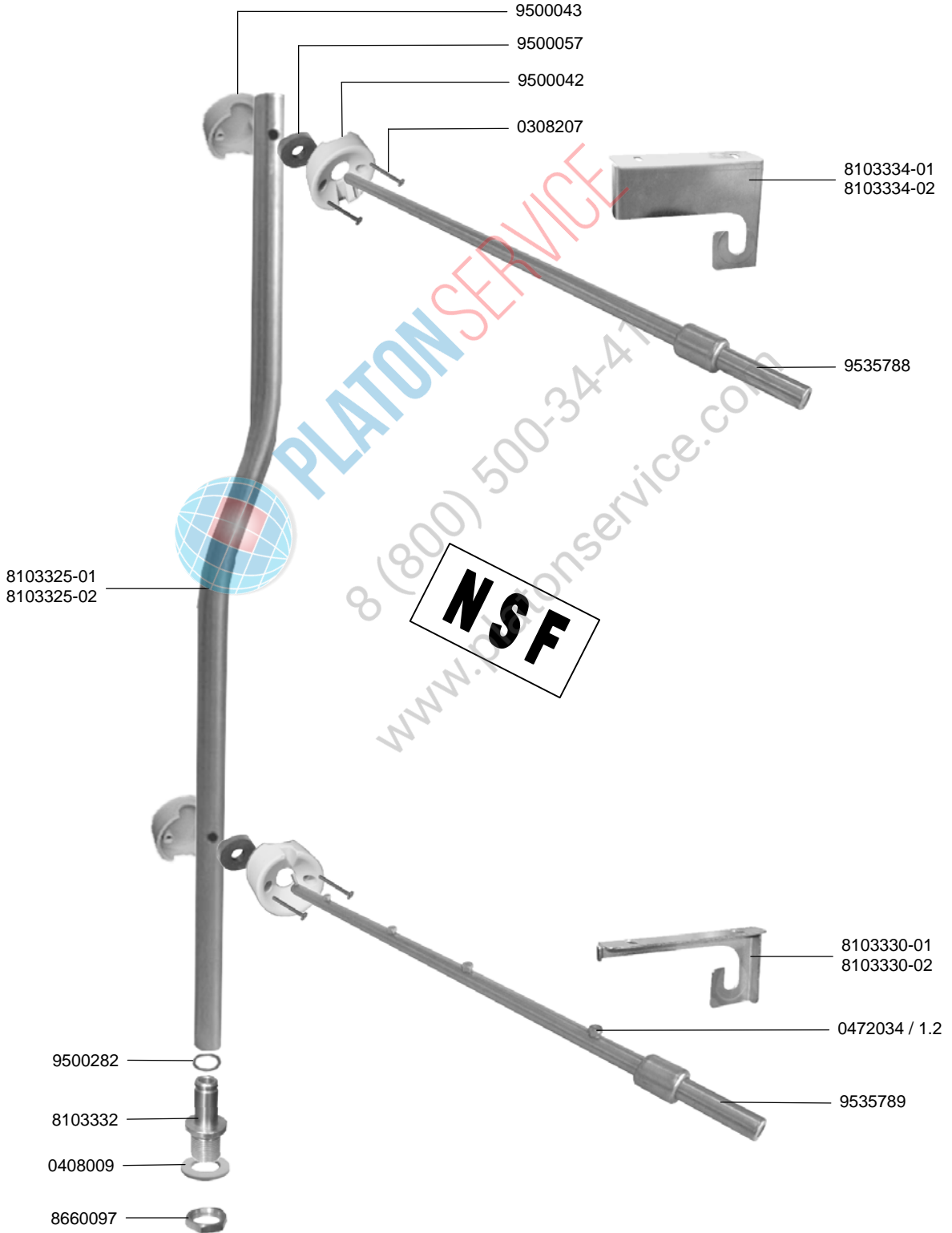
| IDENT.-NR. IDENT.-NO. | BEZEICHNUNG | DESIGNATION | DESIGNATION |
|--------------------------|---------------------|----------------------|----------------------------|
| * 9500043 | KUPPLUNG RÜCKTEIL | CLUTCH BACK PART. | ACCOUPLLEMENT ARRIERE |
| * 9500057 | DICHTUNG | PACKING | JOINT |
| * 9500042 | KUPPLUNG VORDERTEIL | CLUTCH FRONT PART | ACCOUPLLEMENT FRONTALE |
| 0308207 | SCHRAUBE M4X10 | SCREW M4X10 | VIS M4X10 |
| 8103310 | HALTERUNG OBEN | UPPER SUPPORT | SUPPORT SUP. |
| 8103628-01 | HALTERUNG OBEN L-R | UPPER SUPPORT L-R | SUPPORT SUP. G-D |
| 8103628-02 | HALTERUNG OBEN R-L | UPPER SUPPORT R-L | SUPPORT SUP. D-G |
| 9534644 | WASCHARM OBEN KPL. | UPPER WASH ARM CPL. | BRAS DE LAVAGE SUP. CPL. |
| 8103311 | HALTERUNG UNTEN | LOWER SUPPORT | SUPPORT INF. |
| 8103640-01 | HALTERUNG UNTEN L-R | LOWER SUPPORT L-R | SUPPORT INF. G-D |
| 8103640-02 | HALTERUNG UNTEN R-L | LOWER SUPPORT R-L | SUPPORT INF. D-G |
| * 0472034 | DÜSE 1.2 | NOZZLE 1.2 | GICLEUR 1.2 |
| 9534638 | WASCHARM UNTEN KPL. | LOWER WASH ARM CPL. | BRAS DE LAVAGE INF. CPL. |
| 8660097 | SKT.MUTTER | HEXAGON NUT | ECROU A 6 PANS |
| 0408009 | DICHTUNG | PACKING | JOINT |
| 8103314 | TANKDURCHFÜHRUNG | TANK THROUGH-LEAD | TRAVERSEE DU BAC |
| 9500282 | O-RING | O-RING | BAGUE |
| 8103304-04 | STEIGROHR RECHTS | ASCENDING PIPE RIGHT | CONDUITE ASCENDANTE DROITE |
| 8103304-03 | STEIGROHR LINKS | ASCENDING PIPE LEFT | CONDUITE ASCENDANTE GAUGE |

4.6 FRISCHWASSERKLARSPÜLUNG, VERSETZT



4.6 FRESH WATER FINAL RINSE, DISPLACED

4.6 RINCAGE FINAL A L'EAU CLAIRE, DEPLACE



4.6 FRISCHWASSERKLARSPÜLUNG, VERSETZT



4.6 FRESH WATER FINAL RINSE, DISPLACED

4.6 RINGAGE FINAL A L'EAU CLAIRE, DEPLACE

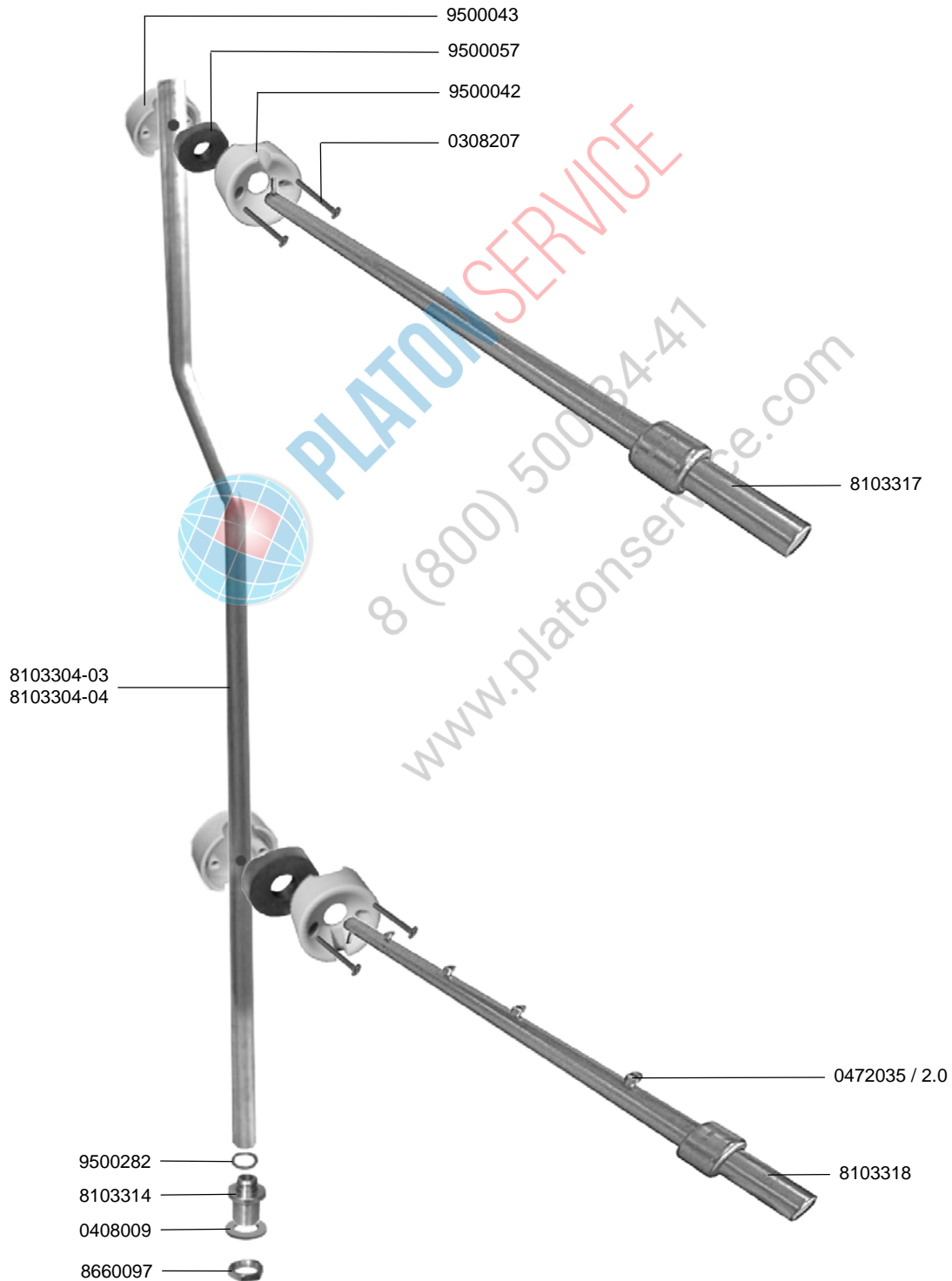
| IDENT.-NR. IDENT.-NO. | BEZEICHNUNG | DESIGNATION | DESIGNATION |
|--------------------------|---------------------|---------------------|--------------------------|
| * 9500043 | KUPPLUNG RÜCKTEIL | CLUTCH BACK PART. | ACCOUPLLEMENT ARRIERE |
| * 9500057 | DICHTUNG | PACKING | JOINT |
| * 9500042 | KUPPLUNG VORDERTEIL | CLUTCH FRONT PART | ACCOUPLLEMENT FRONTALE |
| 0308207 | SCHRAUBE M4X10 | SCREW M4X10 | VIS M4X10 |
| 8103334-01 | HALTERUNG OBEN L-R | UPPER SUPPORT L-R | SUPPORT SUP. G-D |
| 8103334-02 | HALTERUNG OBEN R-L | UPPER SUPPORT R-L | SUPPORT SUP. D-G |
| 9535788 | WASCHARM OBEN KPL. | UPPER WASH ARM CPL. | BRAS DE LAVAGE SUP. CPL. |
| 8103330-01 | HALTERUNG UNTEN L-R | LOWER SUPPORT L-R | SUPPORT INF. G-D |
| 8103330-02 | HALTERUNG UNTEN R-L | LOWER SUPPORT R-L | SUPPORT INF. D-G |
| * 0472034 | DÜSE 1.2 | NOZZLE 1.2 | GICLEUR 1.2 |
| 9535789 | WASCHARM UNTEN KPL. | LOWER WASH ARM CPL. | BRAS DE LAVAGE INF. CPL. |
| 8660097 | SKT.MUTTER | HEXAGON NUT | ECROU A 6 PANS |
| 0408009 | DICHTUNG | PACKING | JOINT |
| 8103332 | TANKDURCHFÜHRUNG | TANK THROUGH-LEAD | TRAVERSEE DU BAC |
| 9500282 | O-RING | O-RING | BAGUE |
| 8103325-02 | STEIGROHR R-L | ASCENDING PIPE R-L | COLONNE ASCENDANTE D-G |
| 8103325-01 | STEIGROHR L-R | ASCENDING PIPE L-R | CONDUITE ASCENDANTE G-D |

5.1 PUMPENKLARSPÜLUNG, SPRÜHSYSTEM



5.1 PUMP FINAL RINSE, SPRAYING SYSTEM

5.1 RINCAGE FINAL A POMPE, SYSTEME D' ARROSAGE



5.1 PUMPENKLARSPÜLUNG, SPRÜHSYSTEM



5.1 PUMP FINAL RINSE, SPRAYING SYSTEM

5.1 RINCAGE FINAL A POMPE, SYSTEME D' ARROSAGE

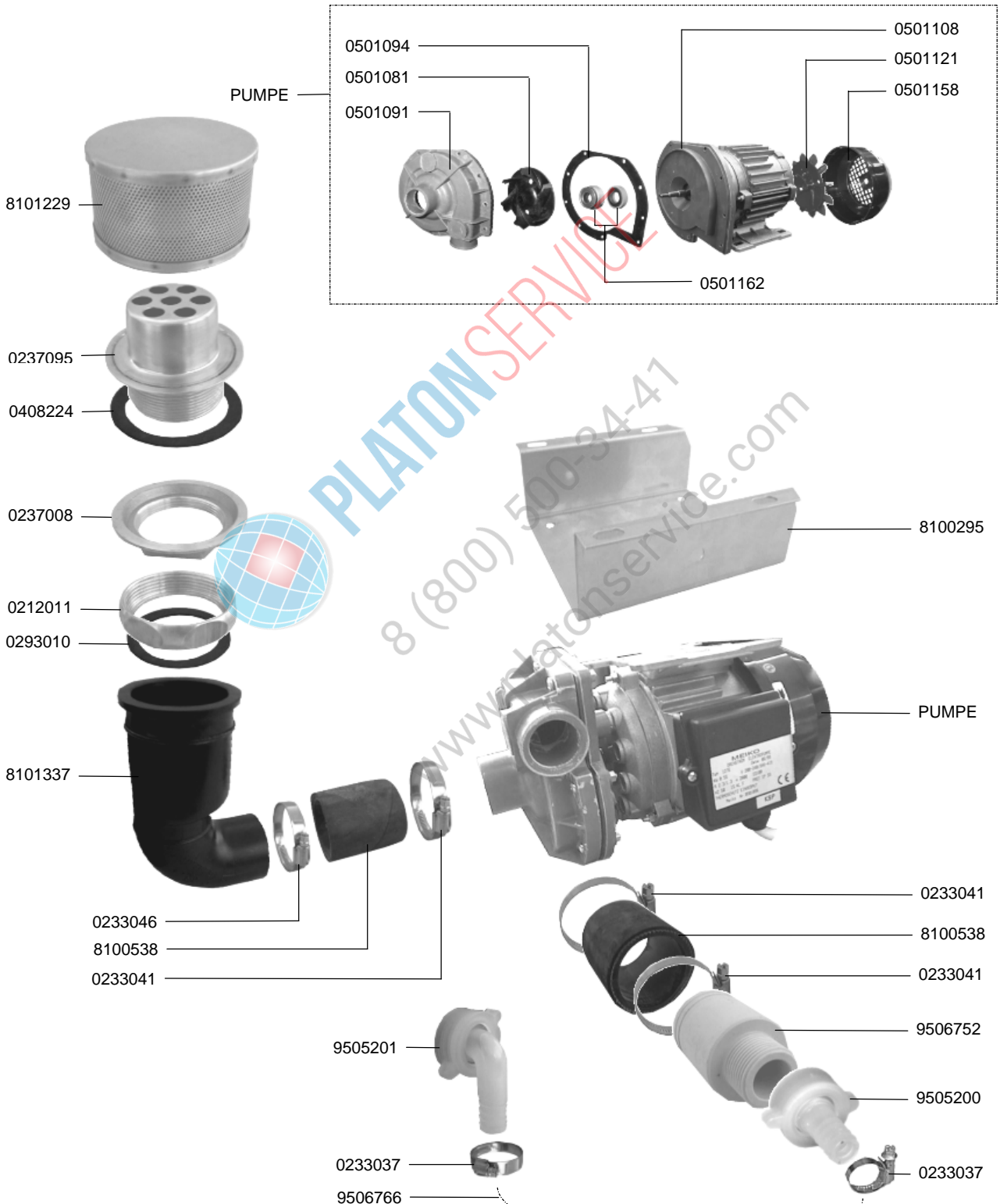
| IDENT.-NR. IDENT.-NO. | BEZEICHNUNG | DESIGNATION | DESIGNATION |
|--------------------------|---------------------|----------------------|----------------------------|
| * 9500043 | KUPPLUNG RÜCKTEIL | CLUTCH BACK PART. | ACCOUPLLEMENT ARRIERE |
| * 9500057 | DICHTUNG | PACKING | JOINT |
| * 9500042 | KUPPLUNG VORDERTEIL | CLUTCH FRONT PART | ACCOUPLLEMENT FRONTALE |
| 0308207 | SCHRAUBE M4X10 | SCREW M4X10 | VIS M4X10 |
| 8103317 | WASCHARM OBEN KPL. | UPPER WASH ARM CPL. | BRAS DE LAVAGE SUP. CPL. |
| * 0472035 | DÜSE 2.0 | NOZZLE 2.0 | GICLEUR 2.0 |
| 8103318 | WASCHARM UNTEN KPL. | LOWER WASH ARM CPL. | BRAS DE LAVAGE INF. CPL. |
| 8660097 | SKT.MUTTER | HEXAGON NUT | ECROU A 6 PANS |
| 0408009 | DICHTUNG | PACKING | JOINT |
| 8103314 | TANKDURCHFÜHRUNG | TANK THROUGH-LEAD | TRAVERSEE DU BAC |
| 9500282 | O-RING | O-RING | BAGUE |
| 8103304-04 | STEIGROHR RECHTS | ASCENDING PIPE RIGHT | CONDUITE ASCENDANTE DROITE |
| 8103304-03 | STEIGROHR LINKS | ASCENDING PIPE LEFT | CONDUITE ASCENDANTE GAUGE |

5.2 PUMPENKLARSPÜLUNG, PUMPENANSAUGUNG



5.2 PUMP FINAL RINSE, INDUCTION OF PUMP

5.2 RINCAGE FINAL A POMPE, ASPIRATION DE POMPE



5.2 PUMPENKLARSPÜLUNG, PUMPENANSAUGUNG



5.2 PUMP FINAL RINSE, INDUCTION OF PUMP

5.2 RINCAGE FINAL A POMPE, ASPIRATION DE POMPE

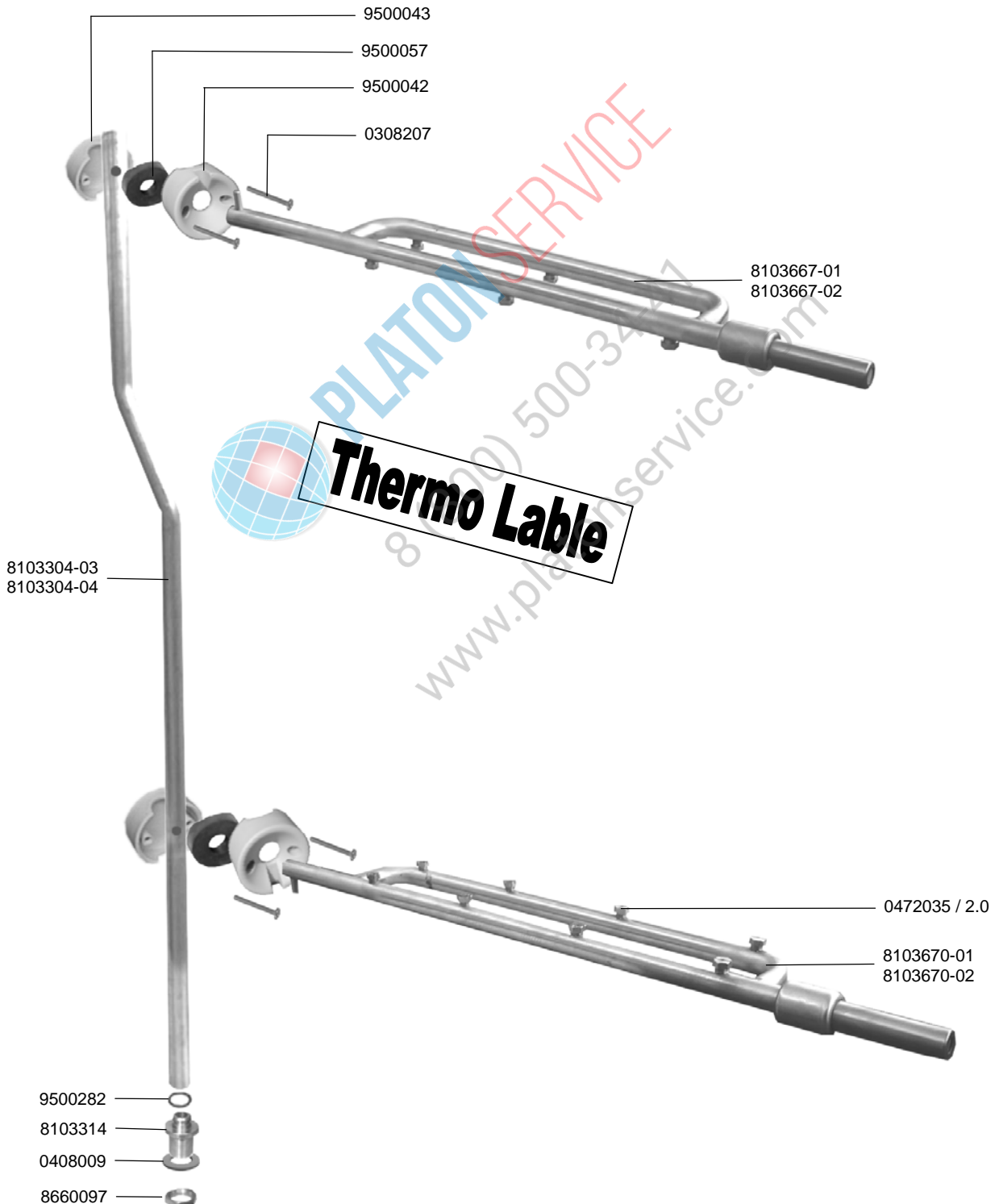
| IDENT.-NR. IDENT.-NO. | BEZEICHNUNG | DESIGNATION | DESIGNATION |
|--------------------------|-------------------------|-----------------------------|--------------------------|
| PUMPE | SIEHE ELEKTROSCHALTPLAN | SEE ELECTRIC WIRING DIAGRAM | VOIR SCHEMA ELECTRIQUE |
| 0501094 | DICHTUNG | PACKING | JOINT |
| * 0501081 | PUMPENLAUFRAD | PUMP WHEEL | ROUE DE POMPE |
| 0501091 | PUMPENGEHÄUSE | PUMP HOUSING | CORPS DE POMPE |
| 0501108 | PUMPENDECKEL | PUMP LID | COUVERCLE DE POMPE |
| 0501121 | VENTILATORFLÜGEL | FAN WHEEL | ROUE VENTILATEUR |
| 0501158 | LÜFTERHAUBE | FAN COWL | CAPOTAGE DE VENTILATEUR |
| V 0501162 | GLEITRINGDICHTUNG | SLIDING SEAL | JOINT AXIAL |
| 8100295 | KONSOLE | CONSOLE | CONSOLE |
| 0233041 | SCHLAUCHKLEMME 40-60 | HOSE WIRE CLAMP 40-60 | COLLIER DE SERRAGE 40-60 |
| 8100538 | SCHLAUCH | HOSE | TUYAU |
| 9506752 | VERBINDUNGSTEIL | CONNECTION PART | PIECE DE CONNEXION |
| 9505200 | ANSCHLUSSTÜCK | CONNECTION PART | PIECE DE CONNEXION |
| 0233037 | SCHLAUCHKLEMME 16-27 | HOSE WIRE CLAMP 16-27 | COLLIER DE SERRAGE 16-27 |
| 9506766 | SCHLAUCH | HOSE | TUYAU |
| 9505201 | ANSCHLUSWINKEL | CONNECTION ANGLE | ANGLE DE CONNEXION |
| 0233046 | SCHLAUCHKLEMME 32-50 | HOSE WIRE CLAMP 32 50 | COLLIER D' SERRAGE 32-50 |
| 8101337 | ANSAUGSTUTZEN | SUCTION PORT | MANCHON DE ASPIRATION |
| 0293010 | DICHTUNG | PACKING | JOINT |
| 0212011 | ÜBERWURFMUTTER 2" | SLEEVE NUT 2" | ECROU RACCORD 2" |
| 0237008 | MUTTER 2" | NUT 2" | ECROU 2" |
| 0408224 | DICHTUNG | PACKING | JOINT |
| 0237095 | ANSAUGSIEB | SUCTION SIEVE | FILTRE D' ASPIRATION |
| 8101229 | ANSAUGSIEB | SUCTION SIEVE | FILTRE D' ASPIRATION |

**5.3 PUMPENKLARSPÜLUNG, SPRÜHSYSTEM,
DOPPELTE KLARSPÜLARME**



**5.3 PUMP FINAL RINSE, SPRAYING SYSTEM,
DOUBLE RINSE ARMS**

**5.3 RINCAGE FINAL A POMPE, SYSTEME D' ARROSAGE,
DOUBLE BRAS DE RINCAGE**



5.3 PUMPENKLARSPÜLUNG, SPRÜHSYSTEM, DOPPELTE KLARSPÜLARME



5.3 PUMP FINAL RINSE, SPRAYING SYSTEM, DOUBLE RINSE ARMS

5.3 RINCAGE FINAL A POMPE, SYSTEME D'ARROSAGE, DOUBLE BRAS DE RINCAGE

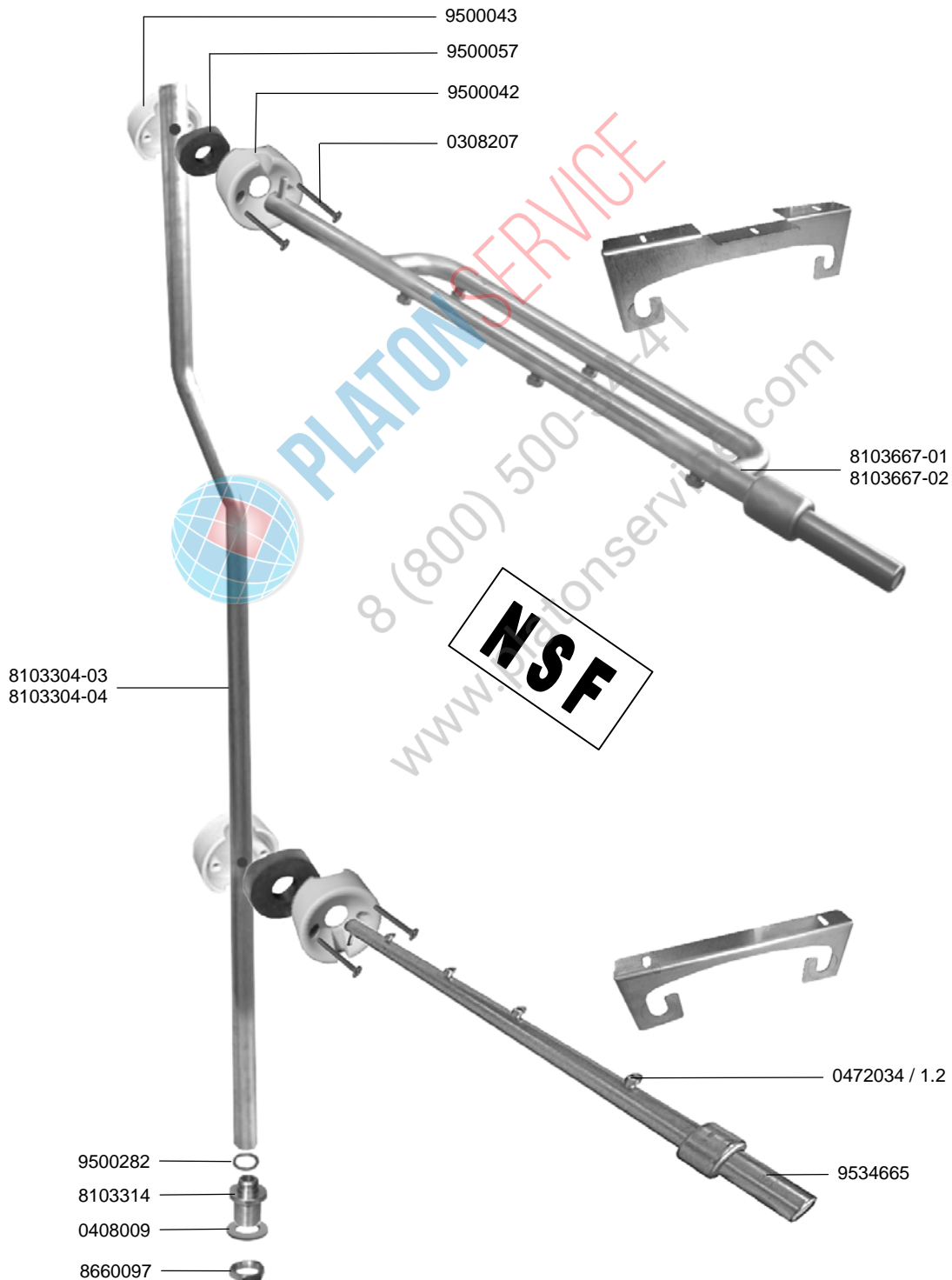
| IDENT.-NR. IDENT.-NO. | BEZEICHNUNG | DESIGNATION | DESIGNATION |
|--------------------------|-------------------------|-------------------------|------------------------------|
| * 9500043 | KUPPLUNG RÜCKTEIL | CLUTCH BACK PART. | ACCOUPLLEMENT ARRIERE |
| * 9500057 | DICHTUNG | PACKING | JOINT |
| * 9500042 | KUPPLUNG VORDERTEIL | CLUTCH FRONT PART | ACCOUPLLEMENT FRONTALE |
| 0308207 | SCHRAUBE M4X10 | SCREW M4X10 | VIS M4X10 |
| 8103667-01 | WASCHARM OBEN KPL. L-R | UPPER WASH ARM CPL. L-R | BRAS DE LAVAGE SUP. CPL. G-D |
| 8103667-02 | WASCHARM OBEN KPL. R-L | UPPER WASH ARM CPL. R-L | BRAS DE LAVAGE INF. SUP. D-G |
| * 0472035 | DÜSE 2.0 | NOZZLE 2.0 | GICLEUR 2.0 |
| 8103670-01 | WASCHARM UNTEN KPL. L-R | LOWER WASH ARM CPL. L-R | BRAS DE LAVAGE INF. CPL. G-D |
| 8103670-02 | WASCHARM UNTEN KPL. R-L | LOWER WASH ARM CPL. R-L | BRAS DE LAVAGE INF. CPL. D-G |
| 8660097 | SKT.MUTTER | HEXAGON NUT | ECROU A 6 PANS |
| 0408009 | DICHTUNG | PACKING | JOINT |
| 8103314 | TANKDURCHFÜHRUNG | TANK THROUGH-LEAD | TRAVERSEE DU BAC |
| 9500282 | O-RING | O-RING | BAGUE |
| 8103304-04 | STEIGROHR RECHTS | ASCENDING PIPE RIGHT | CONDUITE ASCENDANTE DROITE |
| 8103304-03 | STEIGROHR LINKS | ASCENDING PIPE LEFT | CONDUITE ASCENDANTE GAUGE |

5.4 PUMPENKLARSPÜLUNG, SPRÜHSYSTEM



5.4 PUMP FINAL RINSE, SPRAYING SYSTEM

5.4 RINCAGE FINAL A POMPE, SYSTEME D' ARROSAGE



5.4 PUMPENKLARSPÜLUNG, SPRÜHSYSTEM



5.4 PUMP FINAL RINSE, SPRAYING SYSTEM

5.4 RINCAGE FINAL A POMPE, SYSTEME D' ARROSAGE

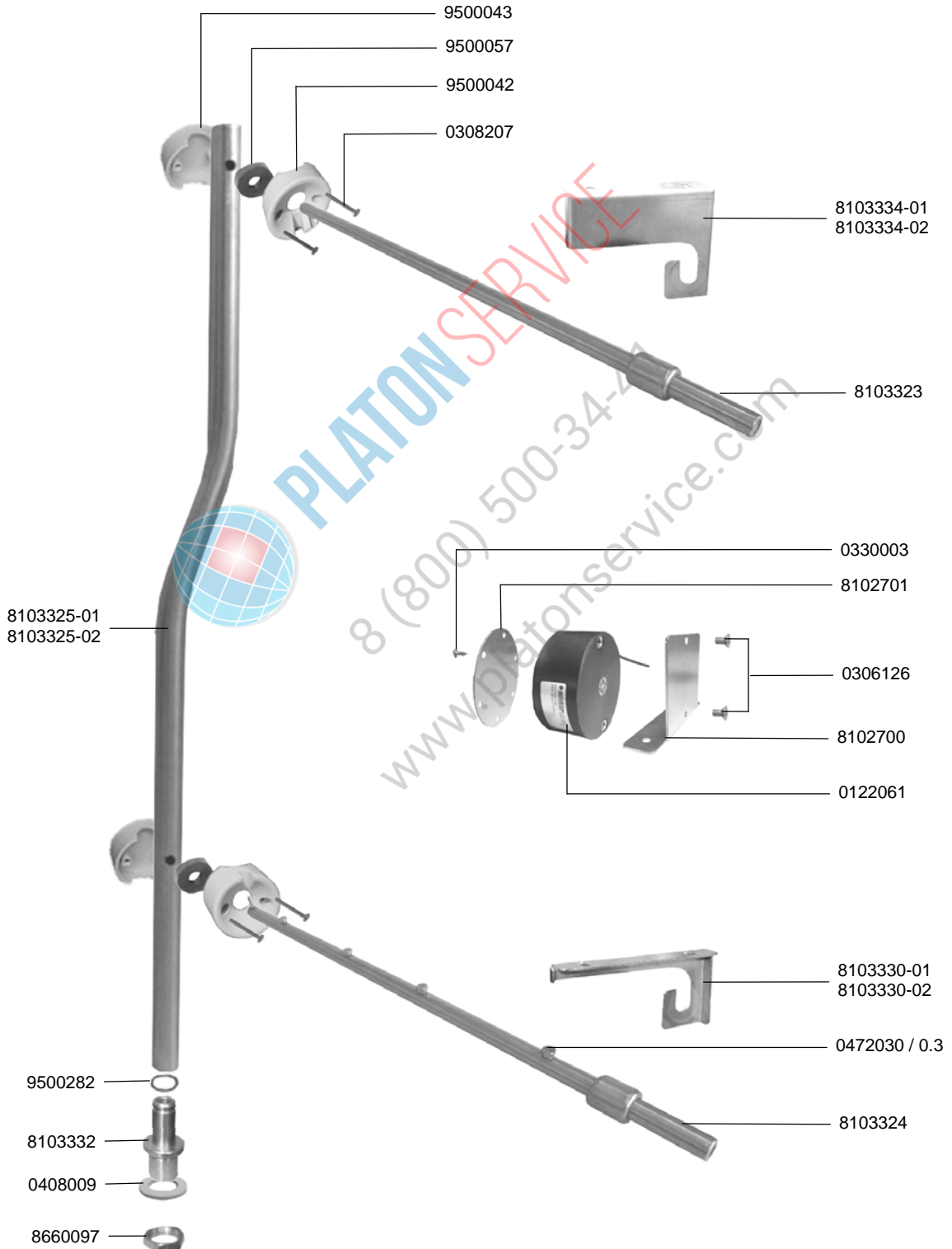
| IDENT.-NR. IDENT.-NO. | BEZEICHNUNG | DESIGNATION | DESIGNATION |
|--------------------------|------------------------|-------------------------|------------------------------|
| * 9500043 | KUPPLUNG RÜCKTEIL | CLUTCH BACK PART. | ACCOUPLLEMENT ARRIERE |
| * 9500057 | DICHTUNG | PACKING | JOINT |
| * 9500042 | KUPPLUNG VORDERTEIL | CLUTCH FRONT PART | ACCOUPLLEMENT FRONTALE |
| 0308207 | SCHRAUBE M4X10 | SCREW M4X10 | VIS M4X10 |
| 8103667-01 | WASCHARM OBEN KPL. L-R | UPPER WASH ARM CPL. L-R | BRAS DE LAVAGE SUP. CPL. G-D |
| 8103667-02 | WASCHARM OBEN KPL. R-L | UPPER WASH ARM CPL. R-L | BRAS DE LAVAGE SUP. CPL. D-G |
| * 0472034 | DÜSE 1.2 | NOZZLE 1.2 | GICLEUR 1.2 |
| 9534665 | WASCHARM UNTEN KPL. | LOWER WASH ARM CPL. | BRAS DE LAVAGE INF. CPL. |
| 8660097 | SKT.MUTTER | HEXAGON NUT | ECROU A 6 PANS |
| 0408009 | DICHTUNG | PACKING | JOINT |
| 8103314 | TANKDURCHFÜHRUNG | TANK THROUGH-LEAD | TRAVERSEE DU BAC |
| 9500282 | O-RING | O-RING | BAGUE |
| 8103304-04 | STEIGROHR RECHTS | ASCENDING PIPE RIGHT | CONDUITE ASCENDANTE DROITE |
| 8103304-03 | STEIGROHR LINKS | ASCENDING PIPE LEFT | CONDUITE ASCENDANTE GAUGE |

6.1 DEMIKLARSPÜLUNG, VERSETZT



6.1 DEMI FINAL RINSE, DISPALED

6.1 RINCAGE FINAL A L'EAU DEMINERALISEE, DEPLACÉ



6.1 DEMIKLARSPÜLUNG, VERSETZT



6.1 DEMI FINAL RINSE, DISPALED

6.1 RINCAGE FINAL A L'EAU DEMINERALISEE, DEPLACÉ

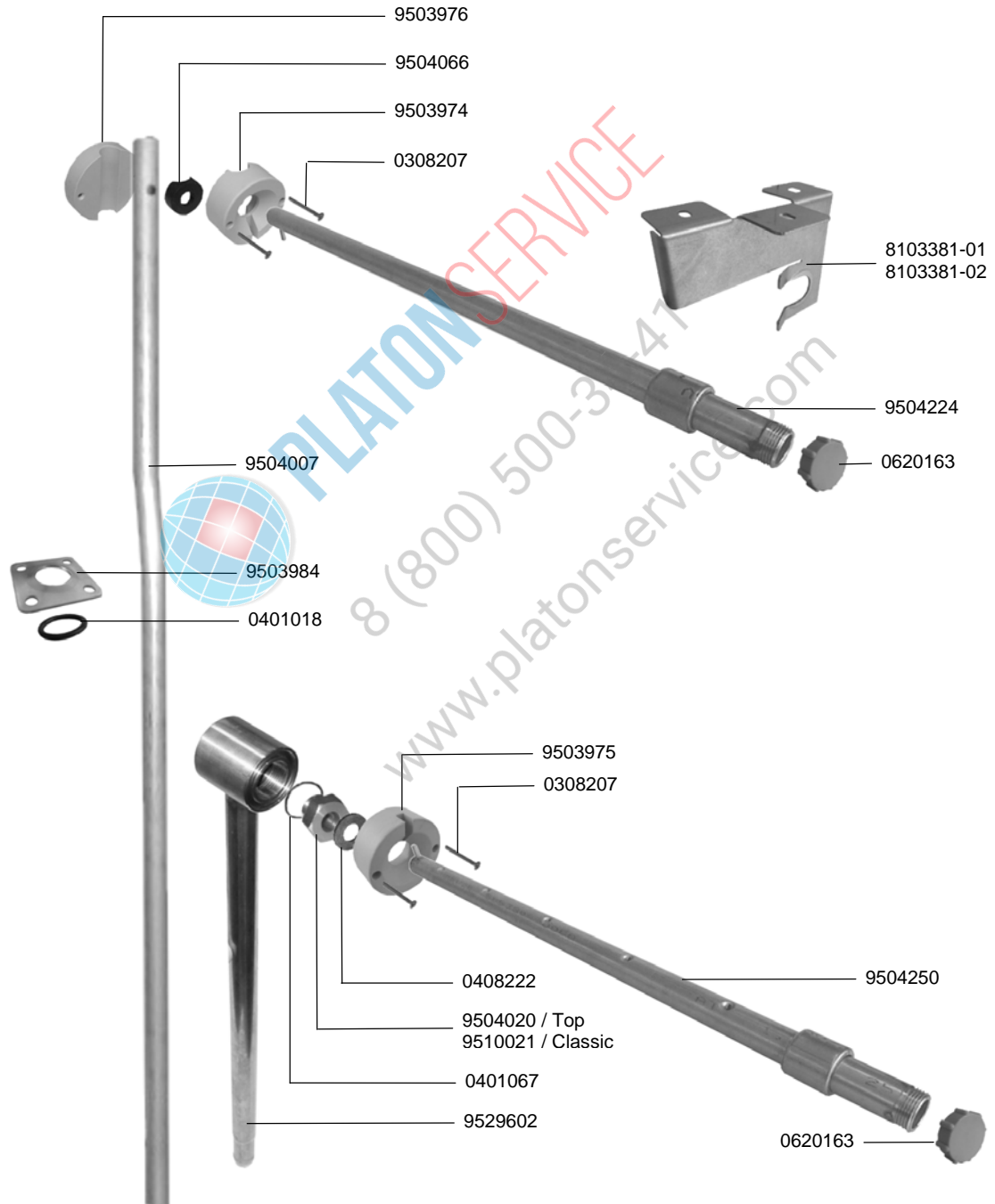
| IDENT.-NR. IDENT.-NO. | BEZEICHNUNG | DESIGNATION | DESIGNATION |
|--------------------------|---------------------|---------------------|--------------------------|
| * 9500043 | KUPPLUNG RÜCKTEIL | CLUTCH BACK PART. | ACCOUPLLEMENT ARRIERE |
| * 9500057 | DICHTUNG | PACKING | JOINT |
| * 9500042 | KUPPLUNG VORDERTEIL | CLUTCH FRONT PART | ACCOUPLLEMENT FRONTALE |
| 0308207 | SCHRAUBE M4X10 | SCREW M4X10 | VIS M4X10 |
| 8103334-01 | HALTERUNG OBEN L-R | UPPER SUPPORT L-R | SUPPORT SUP. G-D |
| 8103334-02 | HALTERUNG OBEN R-L | UPPER SUPPORT R-L | SUPPORT SUP. D-G |
| 8103323 | WASCHARM OBEN KPL. | UPPER WASH ARM CPL. | BRAS DE LAVAGE SUP. CPL. |
| 0330003 | SCHRAUBE 3,5X9,5 | SCREW 3,5X9,5 | VIS 3,5X9,5 |
| 8102701 | ABDICHTBLECH | SEALING SHEET | TOLE D' ETANCHEITE |
| 0306126 | SCHRAUBE M6X10 | SCREW M6X10 | VIS M6X10 |
| 8102700 | HALTERUNG | SUPPORT | SUPPORT |
| * 0122061 | MAGNETSCHALTER | SWITCH | INTERRUPTEUR |
| 8103330-01 | HALTERUNG UNTEN L-R | LOWER SUPPORT L-R | SUPPORT INF. G-D |
| 8103330-02 | HALTERUNG UNTEN R-L | LOWER SUPPORT R-L | SUPPORT INF. D-G |
| * 0472030 | DÜSE 0.3 | NOZZLE 0.3 | GICLEUR 0.3 |
| 8103324 | WASCHARM UNTEN KPL. | LOWER WASH ARM CPL. | BRAS DE LAVAGE INF. CPL. |
| 8660097 | SKT.MUTTER | HEXAGON NUT | ECROU A 6 PANS |
| 0408009 | DICHTUNG | PACKING | JOINT |
| 8103332 | TANKDURCHFÜHRUNG | TANK THROUGH-LEAD | TRAVERSEE DU BAC |
| 9500282 | O-RING | O-RING | BAGUE |
| 8103325-02 | STEIGROHR R-L | ASCENDING PIPE R-L | CONDUITE ASCENDANTE D-G |
| 8103325-01 | STEIGROHR L-R | ASCENDING PIPE L-R | CONDUITE ASCENDANTE G-D |

7.1 CSS SPRÜHSYSTEM



7.1 CSS SPRAYING SYSTEM

7.1 CSS SYSTEME D' ARROSAGE



7.1 CSS SPRÜHSYSTEM



7.1 CSS SPRAYING SYSTEM

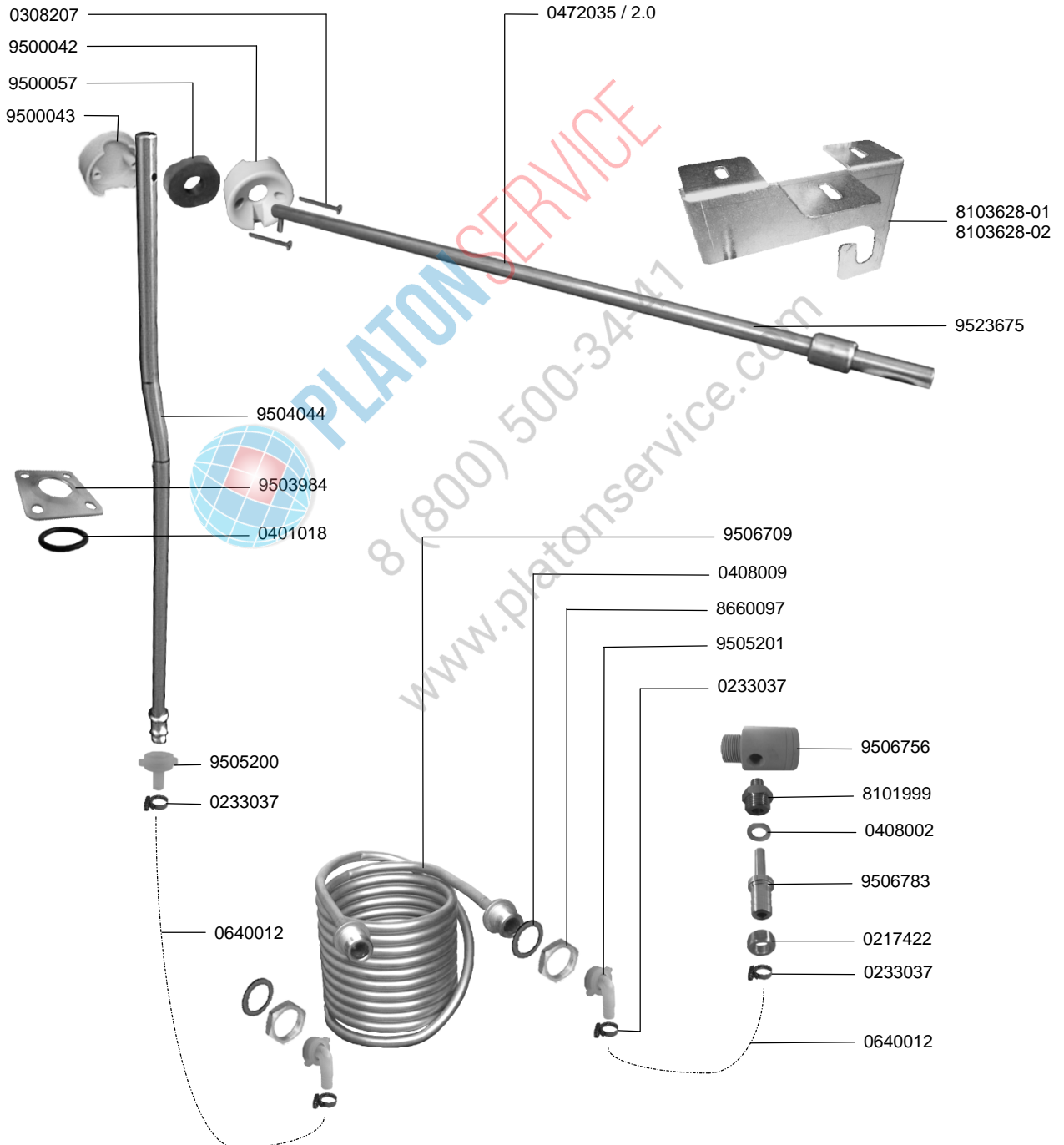
7.1 CSS SYSTEME D'ARROSAGE

| IDENT.-NR. IDENT.-NO. | BEZEICHUNG | DESIGNATION | DESIGNATION |
|--------------------------|---------------------|---------------------|--------------------------|
| * 9503976 | KUPPLUNG RÜCKTEIL | CLUTCH BACK PART. | ACCOUPLLEMENT ARRIERE |
| * 9504066 | DICHTUNG | PACKING | JOINT |
| * 9503974 | KUPPLUNG VORDERTEIL | CLUTCH FRONT PART | ACCOUPLLEMENT FRONTALE |
| 0308207 | SCHRAUBE M4X10 | SCREW M4X10 | VIS M4X10 |
| 8103381-01 | HALTERUNG OBEN L-R | UPPER SUPPORT L-R | SUPPORT SUP. G-D |
| 8103381-02 | HALTERUNG OBEN R-L | UPPER SUPPORT R-L | SUPPORT SUP. D-G |
| 9504224 | WASCHARM OBEN KPL. | UPPER WASH ARM CPL. | BRAS DE LAVAGE SUP. CPL. |
| * 0620163 | DECKEL | LID | COUVERCLE |
| 9504250 | WASCHARM UNTEN KPL. | LOWER WASH ARM CPL. | BRAS DE LAVAGE INF. CPL. |
| 9529602 | STEIGLEITUNG | ASCENDING PIPE | CONDUITE ASCENDANTE |
| 0401067 | O-RING | O-RING | BAGUE |
| 9510021 | NIPPEL CLASSIC | NIPPLE CLASSIC | NIPPLE CLASSIC |
| 9504020 | NIPPEL TOP | NIPPLE TOP | NIPPLE TOP |
| 0408222 | DICHTUNG | PACKING | JOINT |
| 9503975 | KUPPLUNG VORDERTEIL | CLUTCH FRONT PART | ACCOUPLLEMENT FRONTALE |
| 0401018 | O-RING | O-RING | BAGUE |
| 9503984 | FLANSCH | FLANGE | FLASQUE |
| 9504007 | STEIGROHR | ASCENDING PIPE | CONDUITE ASCENDANTE |

7.2 CSS TOP SPRÜHSYSTEM OBEN

7.2 CSS TOP SPRAYING SYSTEM ABOVE

7.2 CSS TOP SYSTEME D' ARROSAGE EN HAUT



7.2 CSS TOP SPRÜHSYSTEM OBEN



7.2 CSS TOP SPRAYING SYSTEM ABOVE

7.2 CSS TOP SYSTEME D' ARROSAGE EN HAUT

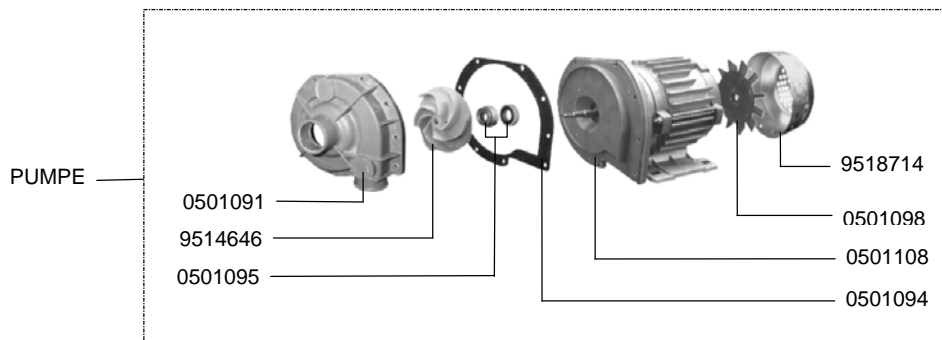
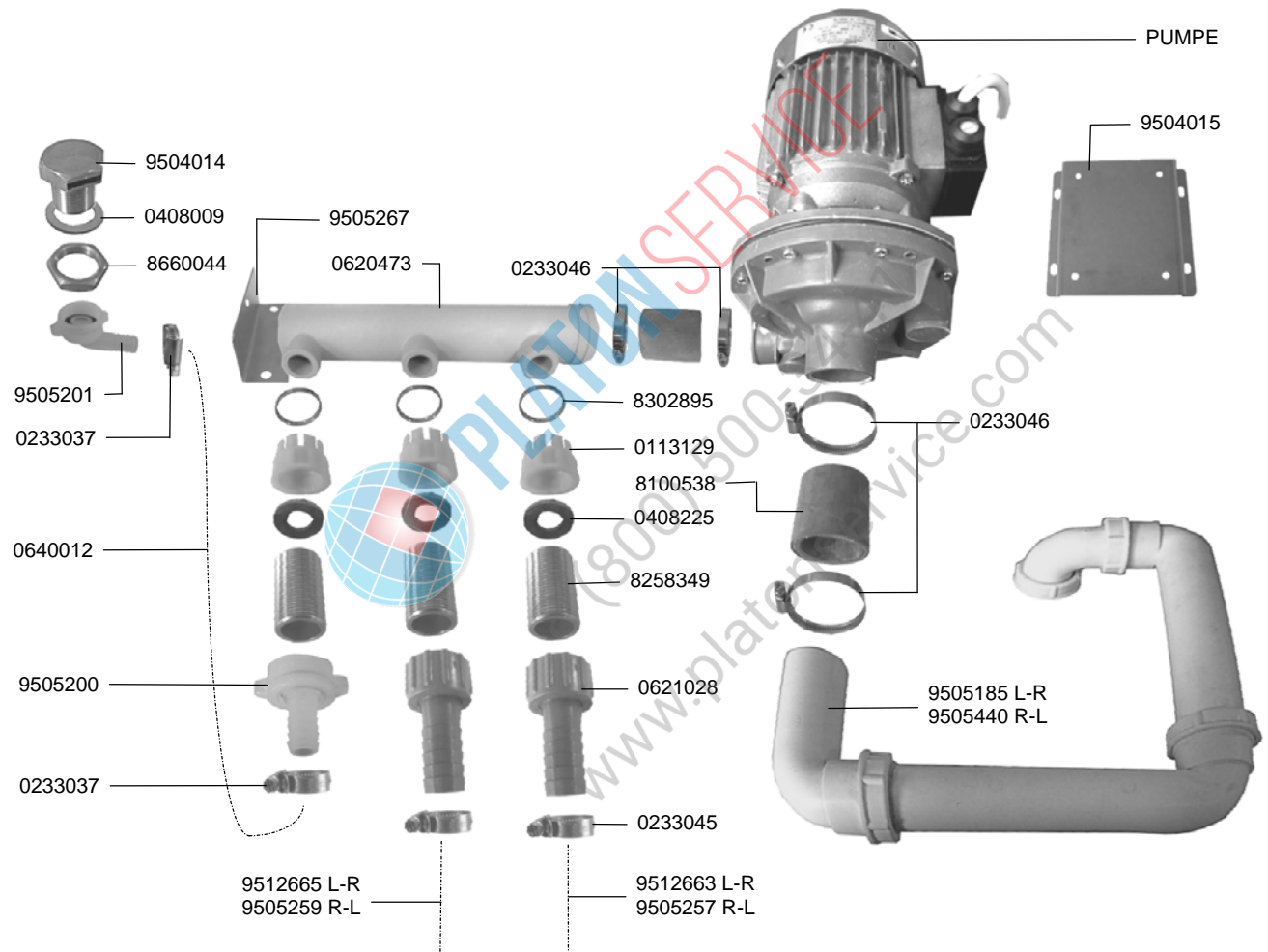
| IDENT.-NR. IDENT.-NO. | BEZEICHNUNG | DESIGNATION | DESIGNATION |
|--------------------------|---------------------|-------------------|------------------------|
| * 0472035 | DÜSE 2.0 | NOZZLE 2.0 | GICLEUR 2.0 |
| 8103628-01 | HALTERUNG OBEN L-R | UPPER SUPPORT L-R | SUPPORT SUP. G-D |
| 8103628-02 | HALTERUNG OBEN R-L | UPPER SUPPORT R-L | SUPPORT SUP. D-G |
| 9523675 | SPÜLARM | FINAL RINSE ARM | BRAS DE RINCAGE FINAL |
| 9506709 | WÄRMETAUSCHER | HEAT EXCHANGER | ECHANGEUR DE CHALEUR |
| 0408009 | DICHTUNG | PACKING | JOINT |
| 8660097 | MUTTER | NUT | ECROU |
| 9505201 | ANSCHLUSSWINKEL | CONNECTION ANGLE | ANGLE DE CONNEXION |
| 0233037 | SCHLAUCHKLEMME | HOSE WIRE CLAMP | COLLIER DE SERRAGE |
| 9506756 | VERBINDUNGSTEIL | CONNECTION PART | PIECE DE CONNEXION |
| 8101999 | ADAPTER | ADAPTER | ADAPTEUR |
| 0408002 | DICHTUNG | PACKING | JOINT |
| 9506783 | BLENDE | STOP | OBTURATEUR |
| 0217422 | ÜBERWURFMUTTER | SLEEVE NUT | ECROU RACCORD |
| 0640012 | SCHLAUCH | HOSE | TUYAU |
| 9505200 | ANSCHLUSSTÜCK | CONNECTION PIECE | PIECE DE CONNEXION |
| 0401018 | O-RING | O-RING | BAGUE |
| 9503984 | FLANSCHPLATTE | FLANGE | FLASQUE |
| 9504044 | STEIGROHR | ASCENDING PIPE | CONDUITE ASCENDANTE |
| * 9500043 | KUPPLUNG RÜCKTEIL | CLUTCH BACK PART | ACCOUPLLEMENT ARRIERE |
| * 9500057 | DICHTUNG | PACKING | JOINT |
| * 9500042 | KUPPLUNG VORDERTEIL | CLUTCH FRONT PART | ACCOUPLLEMENT FRONTALE |
| 0308207 | SCHRAUBE M4X10 | SCREW M4X10 | VIS M4X10 |

7.3 PUMPENVERROHRUNG CSS CLASSIC



7.3 PIPEWORK FOR CSS CLASSIC

7.3 TUYAUTERIE DE CSS CLASSIC



7.3 PUMPENVERROHRUNG CSS CLASSIC



7.3 PIPEWORK FOR CSS CLASSIC

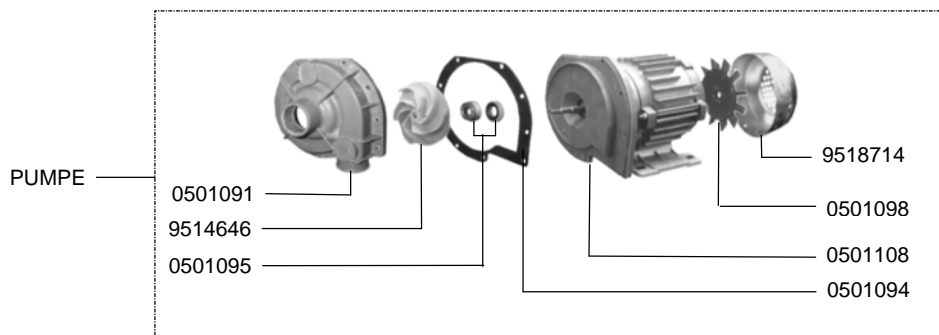
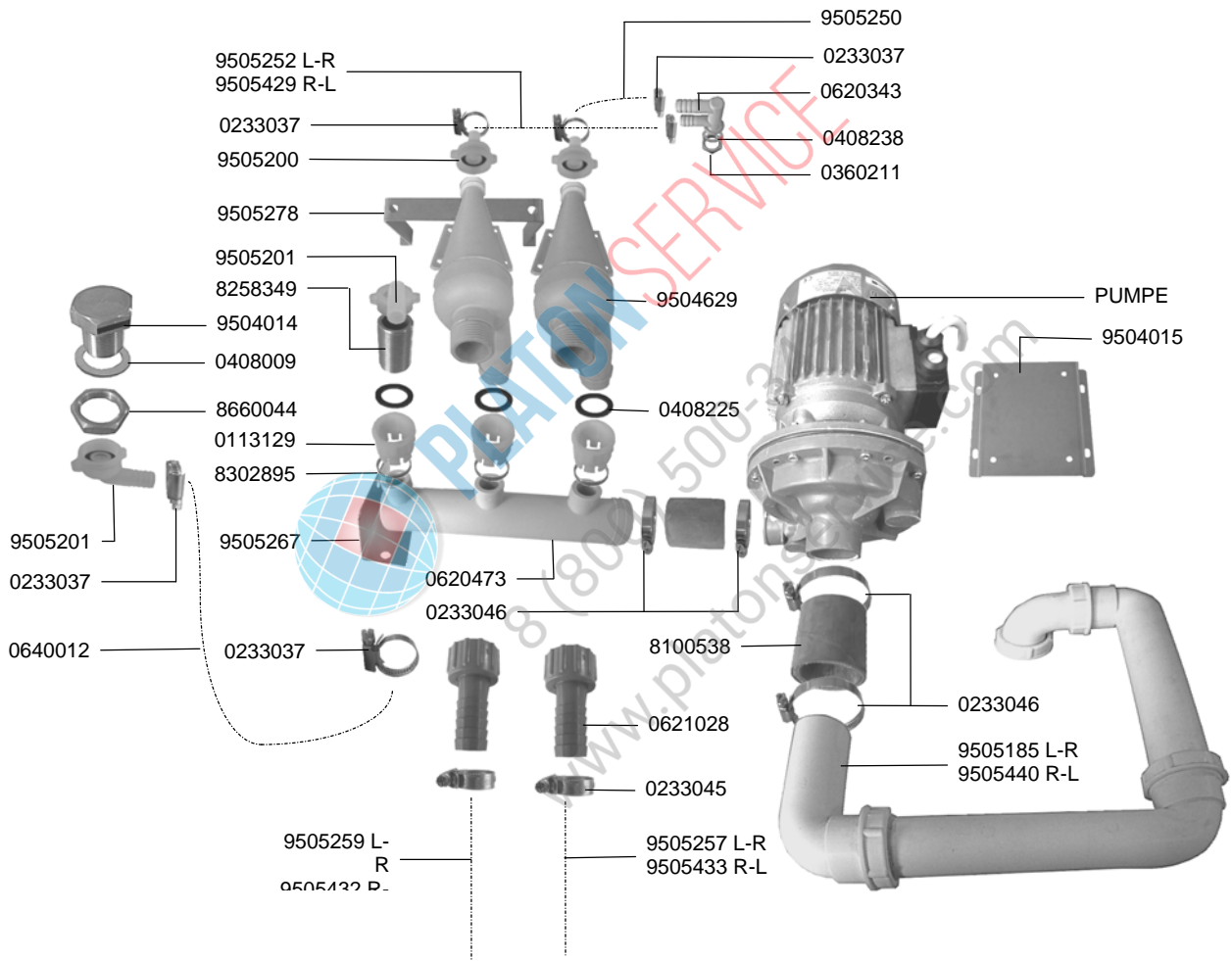
7.3 TUYAUTERIE DE CSS CLASSIC

| IDENT.-NR. IDENT.-NO. | BEZEICHNUNG | DESIGNATION | DESIGNATION |
|--------------------------|-------------------------|----------------------|---------------------------|
| PUMPE | SIEHE ELEKTROSCHALTPLAN | SEE ELECTRIC DIAGRAM | VOIR SCHEMA ELECTRIQUE |
| 9504015 | KONSOLE | CONSOLE | CONSOLE |
| 0233046 | SCHLAUCHKLEMME | HOSE WIRE CLAMP | COLLIER DE SERRAGE |
| 8302895 | HALTERING | SUPPORT RING | BAGUE DE SUPPORT |
| 0113129 | ANSCHLUSSTÜCK | CONNECTION PIECE | PIECE DE CONNEXION |
| 8100538 | SCHLAUCH | HOSE | TUYAU |
| * 0408225 | DICHTUNG | PACKING | JOINT |
| 8258349 | GEWINDENIPPEL | NIPPLE | NIPPLE |
| 0621028 | ÜBERGANGSSTÜCK | CONNECTOR | PIECE DE RACCORDEMENT |
| 9505185 | ANSAUGSTUTZEN L-R | SUCTION SOCKET L-R | MANCHON D' ASPIRATION G-D |
| 9505440 | ANSAUGSTUTZEN R-L | SUCTION SOCKET R-L | MANCHON D' ASPIRATION D-G |
| 0233045 | SCHLAUCHKLEMME | HOSE WIRE CLAMP | COLLIER DE SERRAGE |
| 9512663 | SCHLAUCH L-R | HOSE L-R | TUYAU G-D |
| 9505257 | SCHLAUCH R-L | HOSE R-L | TUYAU D-G |
| 9518714 | LÜFTERHAUBE | FAN HOOD | CAPOTAGE DE VENTILATEUR |
| 0501098 | VENTILATORFLÜGEL | FAN WHEEL | ROUE VENTILATEUR |
| 0501108 | PUMPENDECKEL | PUMP LID | COUVERCLE DE POMPE |
| 0501094 | DICHTUNG | PACKING | JOINT |
| V 0501095 | GLEITRINGDICHTUNG | SLIDING SEAL | JOINT AXIAL |
| * 9514646 | PUMPENLAUFRAD | PUMP WHEEL | ROUE DE POMPE |
| 0501091 | PUMPENGEHÄUSE | PUMP HOUSING | CORPS DE POMPE |
| 9505259 | SCHLAUCH R-L | HOSE R-L | TUYAU D-G |
| 9512665 | SCHLAUCH L-R | HOSE L-R | TUYAU G-D |
| 0233037 | SCHLAUCHKLEMME | HOSE WIRE CLAMP | COLLIER DE SERRAGE |
| 9505200 | ANSCHLUSSTÜCK | CONNECTION PIECE | PIECE DE CONNEXION |
| 0640012 | SCHLAUCH | HOSE | TUYAU |
| 9505201 | ANSCHLUSWINKEL | CONNECTION ANGLE | ANGLE DE CONNEXION |
| 8660044 | MUTTER | NUT | ECROU |
| 0408009 | DICHTUNG | PACKING | JOINT |
| 9504014 | FLACHSTRAHLDÜSE | NOZZLE | GICLEUR |
| 9505267 | HALTERUNG | SUPPORT | SUPPORT |
| 0620473 | VERTEILERROHR | DISTRIBUTING PIPE | TUYAU DISTRIBUTEUR |

7.4 PUMPENVERROHRUNG CSS TOP

7.4 PIPEWORK FOR CSS TOP

7.4 TUYAUTERIE DE CSS TOP



7.4 PUMPENVERROHRUNG CSS TOP



7.4 PIPEWORK FOR CSS TOP

7.4 TUYAUTERIE DE CSS TOP

| IDENT.-NR. IDENT.-NO. | BEZEICHNUNG | DESIGNATION | DESIGNATION |
|--------------------------|-------------------------|----------------------|--------------------------|
| 9505250 | SCHLAUCH | HOSE | TUYAU |
| 0233037 | SCHLAUCHKLEMME | HOSE WIRE CLAMP | COLLIER DE SERRAGE |
| 0620343 | SCHLAUCHANSCHLUSS | HOSE CONNECTION | CONNEXION DE TUYAU |
| 0408238 | DICHTUNG | PACKING | JOINT |
| 0360211 | MUTTER | NUT | ECROU |
| * 9504629 | ZYKLONGEHÄUSE | CYCLONE HOUSING | CORPS CYCLONE |
| * 0408225 | DICHTUNG | PACKING | JOINT |
| PUMPE | SIEHE ELEKTROSCHALTPLAN | SEE ELECTRIC DIAGRAM | VOIR SCHEMA ELECTRIQUE |
| 9504015 | KONSOLE | CONSOLE | CONSOLE |
| 8100538 | SCHLAUCH | HOSE | TUYAU |
| 0233046 | SCHLAUCHKLEMME | HOSE WIRE CLAMP | COLLIER DE SERRAGE |
| 0621028 | ÜBERGANGSSTÜCK | CONNECTOR | PIECE DE RACCORDEMENT |
| 9505185 | ANSAUGSTUTZEN L-R | SUCTION PORT L-R | MANCHON D'ASPIRATION G-D |
| 9505440 | ANSAUGSTUTZEN R-L | SUCTION PORT R-L | MANCHON D'ASPIRATION D-G |
| 0233045 | SCHLAUCHKLEMME | HOSE WIRE CLAMP | COLLIER DE SERRAGE |
| 9505257 | SCHLAUCH L-R | HOSE L-R | TUYAU G-D |
| 9505433 | SCHLAUCH R-L | HOSE R-L | TUYAU D-G |
| 9518714 | LÜFTERHAUBE | FAN COWL | CAPOTAGE DE VENTILATEUR |
| 0501098 | VENTILATORFLÜGEL | FAN WHEEL | ROUE VENTILATEUR |
| 0501108 | PUMPENDECKEL | PUMP LID | COUVERCLE DE POMPE |
| 0501094 | DICHTUNG | PACKING | JOINT |
| V 0501095 | GLEITRINGDICHTUNG | SLIDING SEAL | JOINT AXIAL |
| * 9514646 | PUMPENLAUFRAD | PUMP WHEEL | ROUE DE POMPE |
| 0501091 | PUMPENGEHÄUSE | PUMP HOUSING | CORPS DE POMPE |
| 9505432 | SCHLAUCH R-L | HOSE R-L | TUYAU D-G |
| 9505259 | SCHLAUCH L-R | HOSE L-R | TUYAU G-D |
| 0640012 | SCHLAUCH | HOSE | TUYAU |
| 0620473 | VERTEILERROHR | DISTRIBUTING PIPE | TUYAU DISTRIBUTEUR |
| 9505267 | HALTERUNG | SUPPORT | SUPPORT |
| 9505201 | ANSCHLUSWINKEL | CONNECTION ANGLE | ANGLE DE CONNEXION |
| 8302895 | HALTERING | SUPPORT RING | BAGUE DE SUPPORT |
| 0113129 | ANSCHLUSSTÜCK | CONNECTION PIECE | PIECE DE CONNEXION |
| 8660044 | MUTTER | NUT | ECROU |
| 0408009 | DICHTUNG | PACKING | JOINT |
| * 9504014 | FLACHSTRAHLDÜSE | NOZZLE | GICLEUR |

7.4 PUMPENVERROHRUNG CSS TOP



7.4 PIPEWORK FOR CSS TOP

7.4 TUYAUTERIE DE CSS TOP

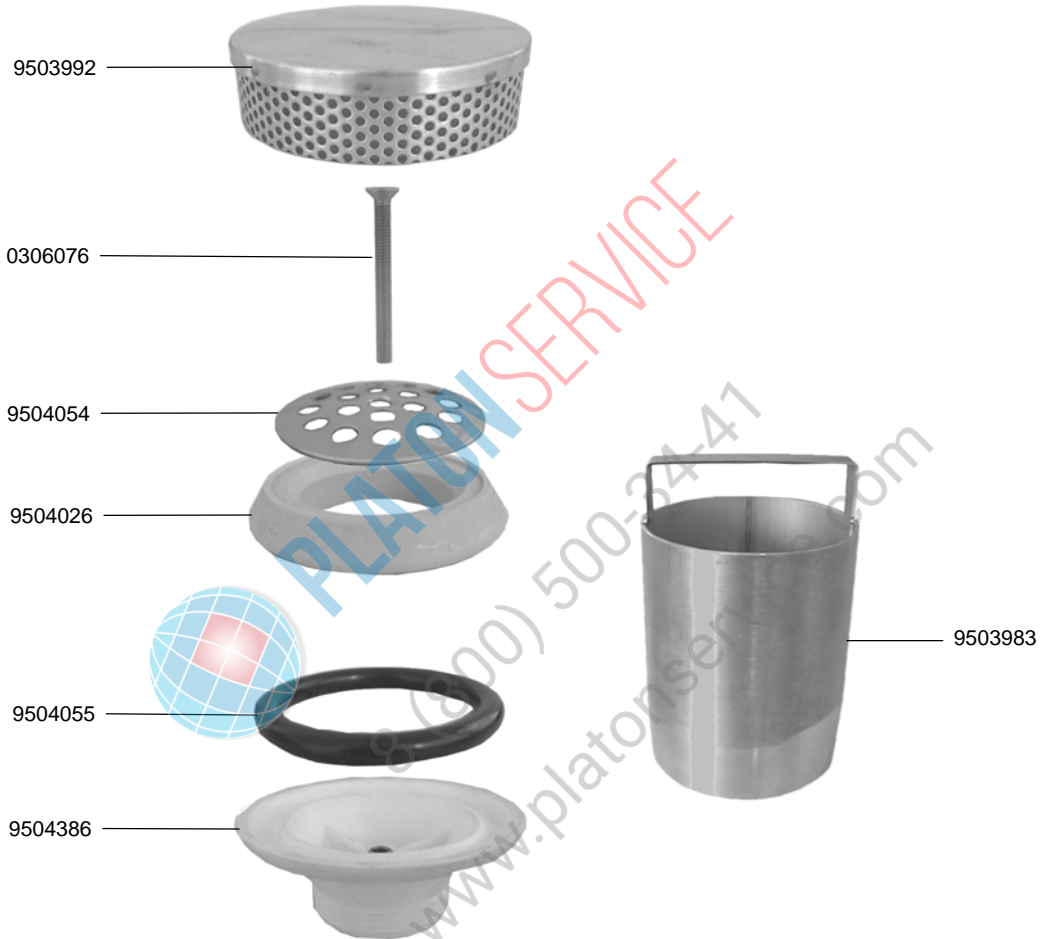
| IDENT.-NR. IDENT.-NO. | BEZEICHNUNG | DESIGNATION | DESIGNATION |
|--------------------------|---------------|------------------|--------------------|
| 8258349 | GEWINDENIPPEL | NIPPLE | NIPPLE |
| 9505278 | HALTEBÜGEL | SUPPORT | SUPPORT |
| 9505200 | ANSCHLUSSTÜCK | CONNECTION PIECE | PIECE DE CONNEXION |
| 9505429 | SCHLAUCH R-L | HOSE R-L | TUYAU D-G |
| 9505252 | SCHLAUCH L-R | HOSE L-R | TUYAU G-D |

7.5 ANSAUGSYSTEM, ABLAUF



7.5 SUCTION SYSTEM, DRAIN

7.5 SYSTEME D'ASPIRATION, VIDANGE



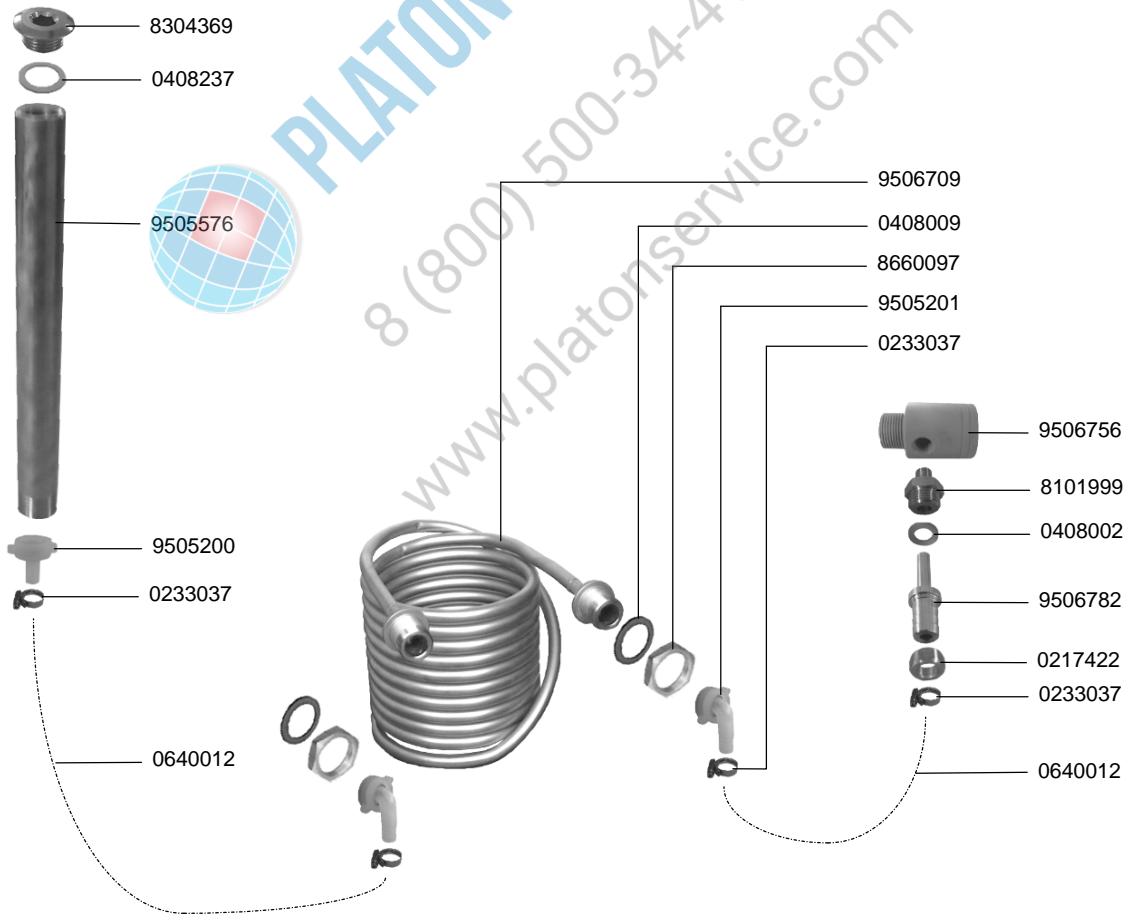
| IDENT.-NR. IDENT.-NO. | BEZEICHNUNG | DESIGNATION | DESIGNATION |
|--------------------------|-------------|-------------|-------------|
|--------------------------|-------------|-------------|-------------|

| | | | |
|---------|-----------------|---------------------|----------------------------|
| 9503983 | STANDROHR | DRAIN PLUG | BONDE DE TROP PLEIN |
| 9504386 | VENTILUNTERTEIL | LOWER PART OF VALVE | PARTIE INFERIEURE DE VANNE |
| 9504055 | O-RING | O-RING | BAGUE |
| 9504026 | ANSAUGSTUTZEN | SUCTION PORT | MANCHON D'ASPIRATION |
| 9504054 | SIEB | SIEVE | TAMIS |
| 0306076 | SCHRAUBE M6X60 | SCREW M6X60 | VIS M6X60 |
| 9503992 | ANSAUGSIEB | SUCTION SIEVE | FILTRE D'ASPIRATION |

7.6 CSS CLASSIC

7.6 CSS CLASSIC

7.6 CSS CLASSIC

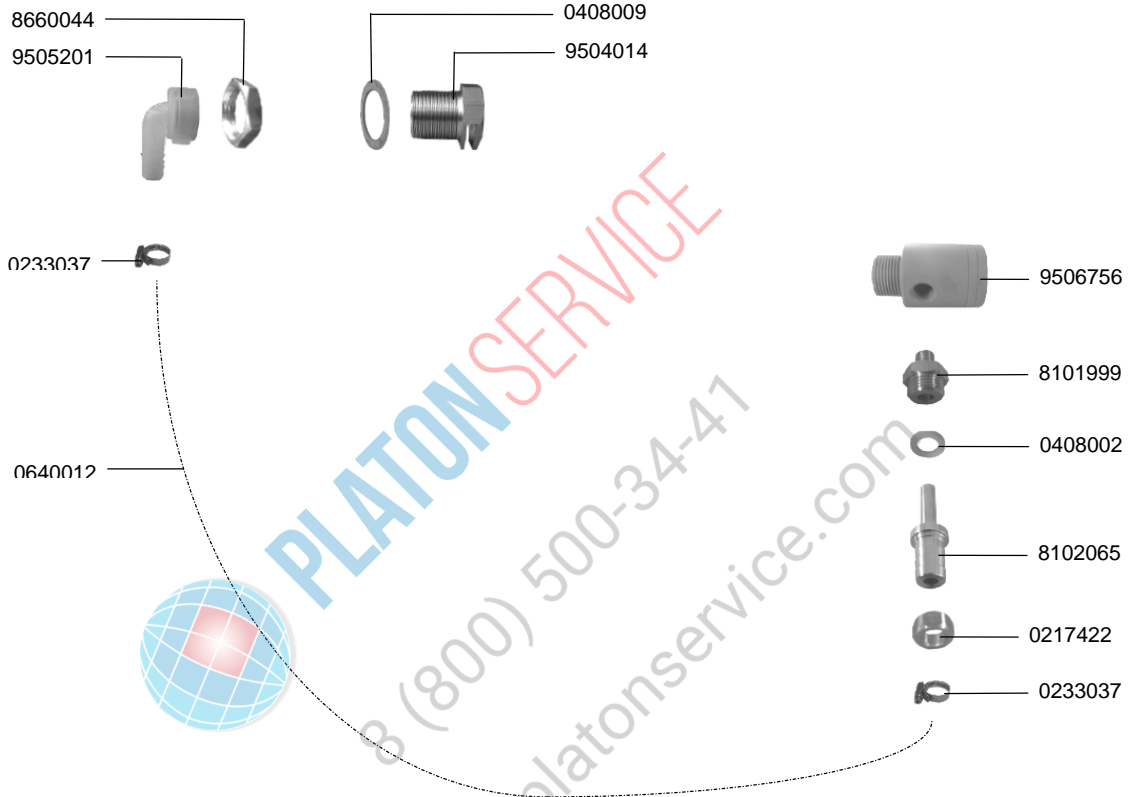


7.7 CSS BASIC



7.7 CSS BASIC

7.7 CSS BASIC



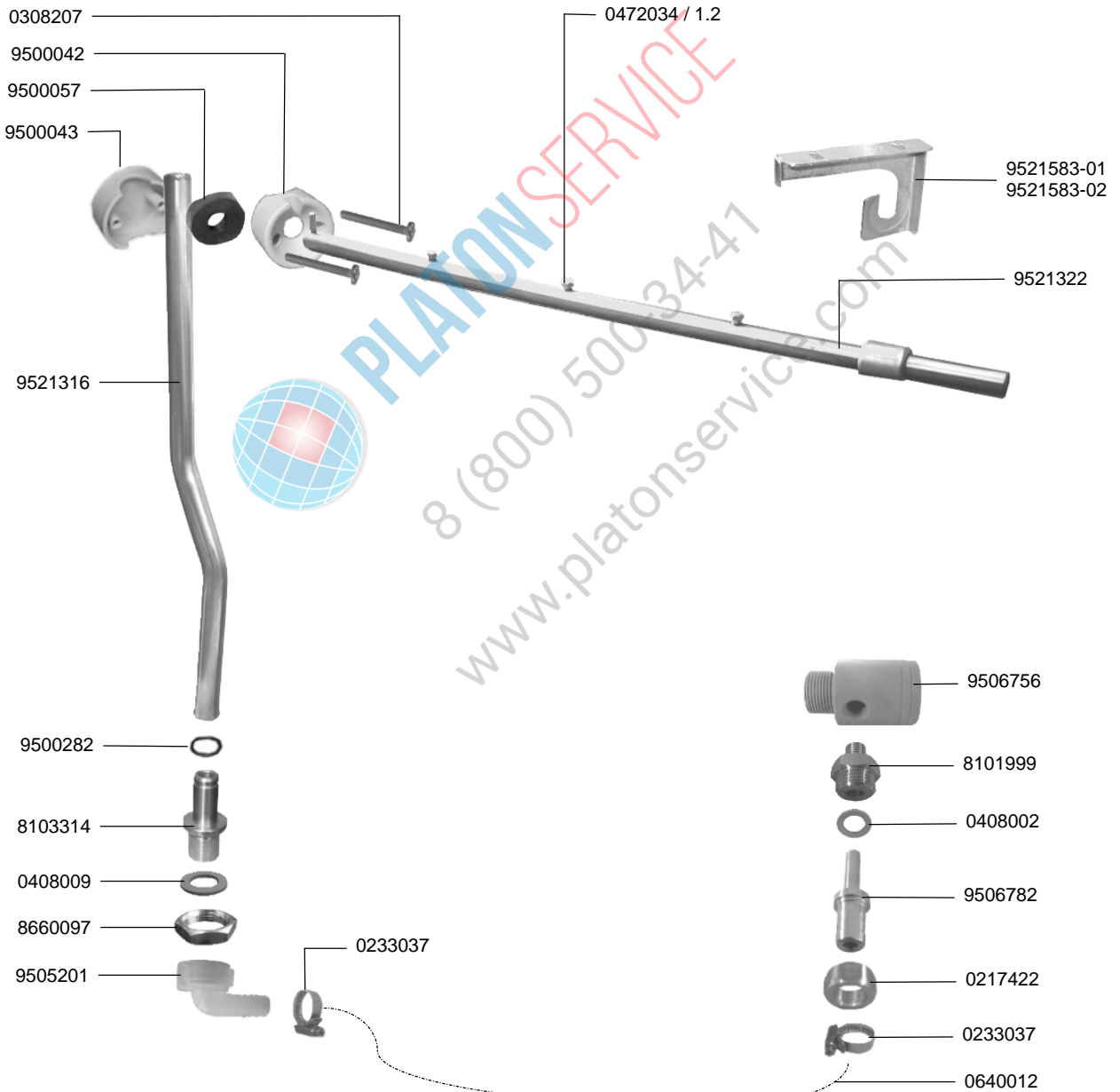
| IDENT.-NR. IDENT.-NO. | BEZEICHUNG | DESIGNATION | DESIGNATION |
|--------------------------|----------------------|-----------------------|--------------------------|
| 0408009 | DICHTUNG | PACKING | JOINT |
| * 9504014 | FLACHSTRAHLDÜSE | NOZZLE | GICLEUR |
| 9506756 | VERBINDUNGSTEIL | CONNECTION PART | PIECE DE CONNEXION |
| 8101999 | ADAPTER | ADAPTER | ADAPTEUR |
| 0408002 | DICHTUNG | PACKING | JOINT |
| 8102065 | BLLENDE | STOP | OBTURATEUR |
| 0217422 | ÜBERWURFMUTTER | SLEEVE NUT | ECROU RACCORD |
| 0233037 | SCHLAUCHKLEMME 16-27 | HOSE WIRE CLAMP 16-27 | COLLIER DE SERRAGE 16-27 |
| 0640012 | SCHLAUCH | HOSE | TUYAU |
| 9505201 | ANSCHLUSWINKEL | CONNECTION ANGLE | ANGLE DE CONNEXION |
| 8660044 | SKT. MUTTER 3/4" | HEXAGON NUT 3/4" | ECROU A 6 PANS 3/4" |

7.8 CSS BASIC



7.8 CSS BASIC

7.8 CSS BASIC



7.8 CSS BASIC



7.8 CSS BASIC

7.8 CSS BASIC

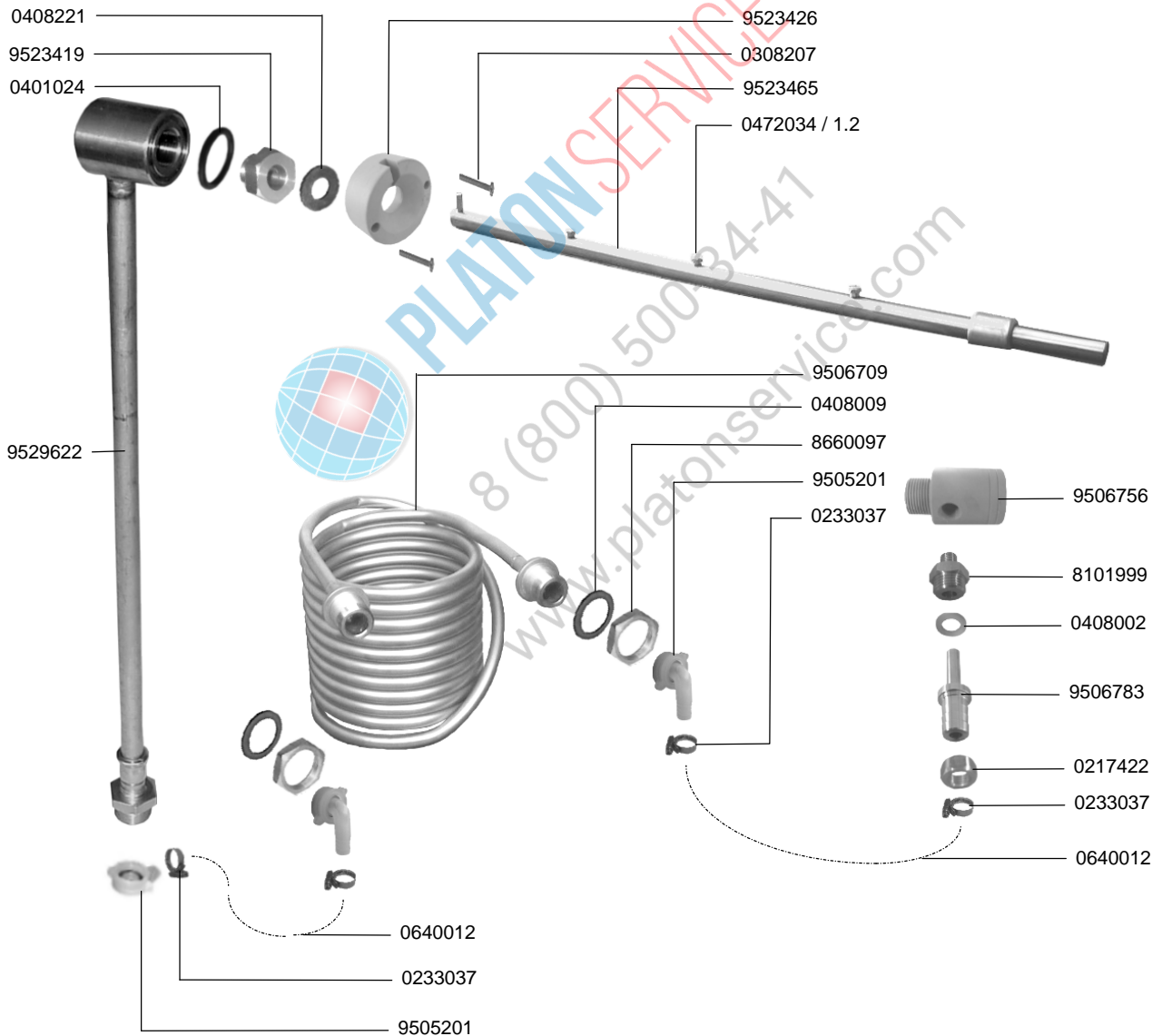
| IDENT.-NR. IDENT.-NO. | BEZEICHNUNG | DESIGNATION | DESIGNATION |
|--------------------------|---------------------|-------------------|------------------------|
| * 0472034 | DÜSE 1.2 | NOZZLE 1.2 | GICLEUR 1.2 |
| 9521583-01 | HALTERUNG OBEN L-R | UPPER SUPPORT L-R | SUPPORT SUP. G-D |
| 9521583-02 | HALTERUNG OBEN R-L | UPPER SUPPORT R-L | SUPPORT SUP. D-G |
| 9521322 | SPÜLARM | FINAL RINSE ARM | BRAS DE RINCAGE FINAL |
| 9506756 | VERBINDUNGSTEIL | CONNECTION PART | PIECE DE CONNEXION |
| 8101999 | ADAPTER | ADAPTER | ADAPTEUR |
| 0408002 | DICHTUNG | PACKING | JOINT |
| 9506782 | BLENDE | STOP | OBTURATEUR |
| 0217422 | ÜBERWURFMUTTER | SLEEVE NUT | ECROU RACCORD |
| 0233037 | SCHLAUCHKLEMME | HOSE WIRE CLAMP | COLLIER DE SERRAGE |
| 0640012 | SCHLAUCH | HOSE | TUYAU |
| 9505201 | ANSCHLUSSWINKEL | CONNECTION ANGLE | ANGLE DE CONNEXION |
| 8660097 | MUTTER | NUT | ECROU |
| 0408009 | DICHTUNG | PACKING | JOINT |
| 8103314 | TANKDURCHFÜHRUNG | TANK THROUGH LEAD | TRAVERSEE DU BAC |
| 9500282 | O-RING | O-RING | BAGUE |
| 9521316 | STEIGROHR | ASCENDING PIPE | CONDUITE ASCENDANTE |
| * 9500043 | KUPPLUNG RÜCKTEIL | CLUTCH BACK PART | ACCOUPLLEMENT ARRIERE |
| * 9500057 | DICHTUNG | PACKING | JOINT |
| * 9500042 | KUPPLUNG VORDERTEIL | CLUTCH FRONT PART | ACCOUPLLEMENT FRONTALE |
| 0308207 | SCHRAUBE M4X10 | SCREW M4X10 | VIS M4X10 |

7.9 CSS TOP SPRÜHSYSTEM UNTEN



7.9 CSS TOP LOWER SPRAYING SYSTEM

7.9 CSS TOP SYSTEME D'ARROSAGE INFERIEUR



7.9 CSS TOP SPRÜHSYSTEM UNTEN



7.9 CSS TOP LOWER SPRAYING SYSTEM

7.9 CSS TOP SYSTEME D'ARROSAGE INFERIEUR

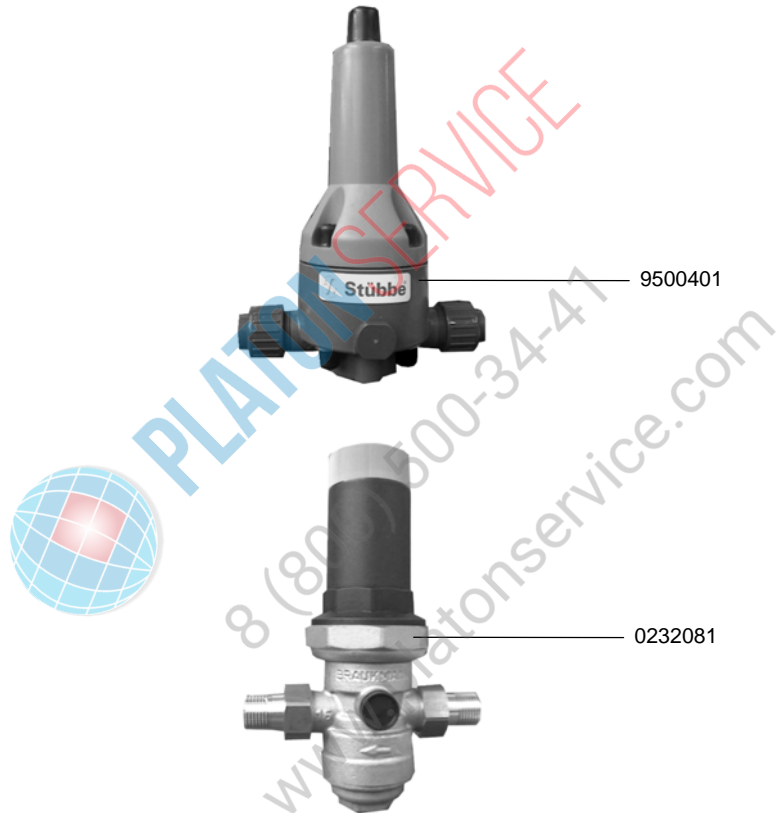
| IDENT.-NR. IDENT.-NO. | BEZEICHNUNG | DESIGNATION | DESIGNATION |
|--------------------------|-----------------------|-------------------|----------------------------|
| * 9523426 | KUPPLUNG VORDERTEIL | CLUTCH FRONT PART | ACCOUPEMENT FRONTALE |
| 0308207 | SCHRAUBE M4X10 | SREW M4X10 | VIS M4X10 |
| 9523465 | SPÜLARM CSS TOP UNTEN | LOWER RINSE ARM | BRAS DE RINCAGE FINAL INF. |
| * 0472034 | DÜSE 1.2 | NOZZLE 1.2 | GICLEUR 1.2 |
| 9506709 | WÄRMETAUSCHER | HEAT EXCHANGER | ECHANGEUR DE CHALEUR |
| 0408009 | DICHTUNG | PACKING | JOINT |
| 8660097 | MUTTER | NUT | ECROU |
| 9505201 | ANSCHLUSSWINKEL | CONNECTION ANGLE | ANGLE DE CONNEXION |
| 0233037 | SCHLAUCHKLEMME | HOSE WIRE CLAMP | COLLIER DE SERRAGE |
| 9506756 | VERBINDUNGSTEIL | CONNECTION PART | PIECE DE CONNEXION |
| 8101999 | ADAPTER | ADAPTER | ADAPTEUR |
| 0408002 | DICHTUNG | PACKING | JOINT |
| 9506783 | BLENDE | STOP | OBTURATEUR |
| 0217422 | ÜBERWURFMUTTER | SLEEVE NUT | ECROU RACCORD |
| 0640012 | SCHLAUCH | HOSE | TUYAU |
| 9529622 | STEIGLEITUNG | ASCENDING PIPE | CONDUITE ASCENDANTE |
| * 0401024 | O-RING | O-RING | BAGUE |
| 9523419 | NIPPEL | NIPPLE | NIPPLE |
| 0408221 | DICHTUNG | PACKING | JOINT |

8.1 DRUCKMINDERVENTIL



8.1 PRESSURE REDUCING VALVE

8.1 REDUCTEUR DE PRESSION



IDENT.-NR.
IDENT.-NO.

BEZEICHNUNG

DESIGNATION

DESIGNATION

* 9500401

DRUCKMINDERVENTIL
DN10 0,5-9 BAR 3/4"

PRESSURE REDUCING VALVE
DN10 0,5-9 BAR 3/4"

COLLECTEUR DE
DN10 0,5-9 BAR 3/4"

* 0232081

DRUCKMINDERVENTIL
D06FN-1/2" A

PRESSURE REDUCING VALVE
D06FN-1/2" A

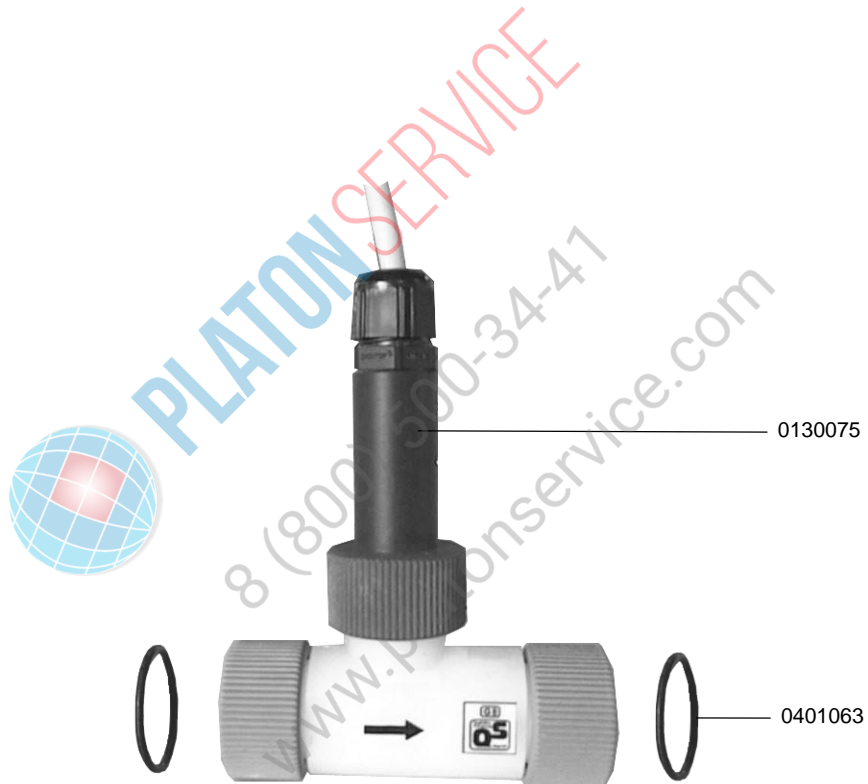
REDUCTEUR DE PRESSION
D06FN-1/2" A

8.2 DURCHFLUSSMESSER



8.2 FLOW CONTROL

8.2 DEBIT METRE



| IDENT.-NR. IDENT.-NO. | BEZEICHUNG | DESIGNATION | DESIGNATION |
|--------------------------|------------|-------------|-------------|
|--------------------------|------------|-------------|-------------|

* 0130075 DURCHFLUSSMESSER

FLOW CONTROL

DEBIT METRE

* 0401063 O-RING

O-RING

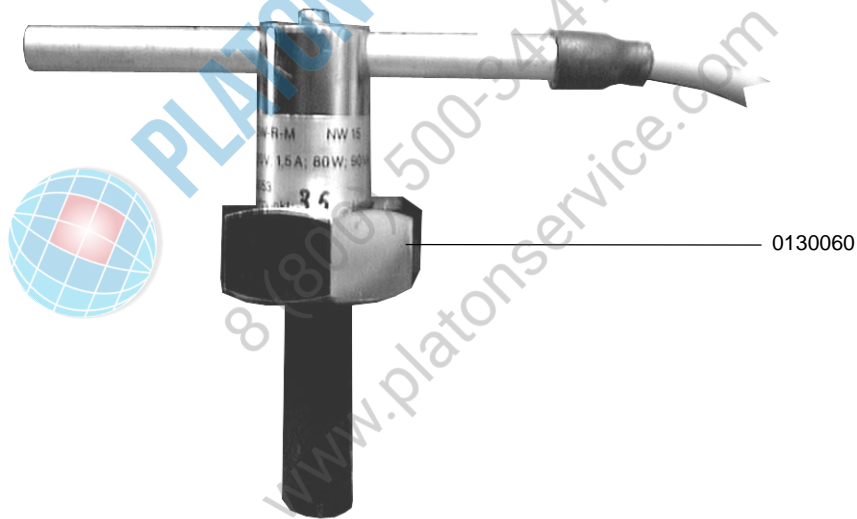
BAGUE

8.3 DURCHFLUSSWÄCHTER



8.3 FLOW CONTROL INSTRUMENT

8.3 CONTROLEUR DE DEBIT



IDENT.-NR.
IDENT.-NO.

BEZEICHNUNG

DESIGNATION

DESIGNATION

* 0130060

DURCHFLUSSWÄCHTER

FLOW CONTROL INSTRUMENT

CONTROLEUR DE DEBIT

8.4 ÜBERDRUCKVENTIL



8.4 OVERPRESSURE VALVE

8.4 SOUPAPE DE SURPRESSION



0232001
0232002

IDENT.-NR.
IDENT.-NO.

BEZEICHNUNG

DESIGNATION

DESIGNATION

* 0232001 SICHERHEITSVENTIL ½"

OVERPRESSURE VALVE ½"

SOUPAPE DE SURPRESSION ½"

* 0232002 SICHERHEITSVENTIL ¾"

OVERPRESSURE VALVE ¾"

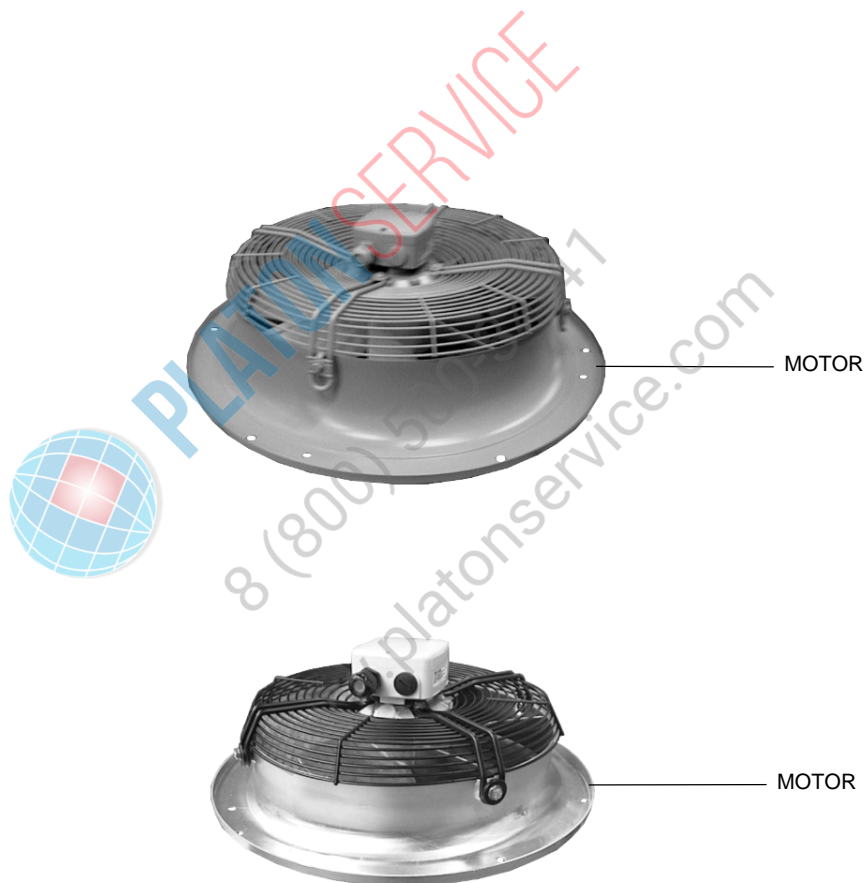
SOUPAPE DE SURPRESSION ¾"

9.1 AXIALGEBLÄSE FÜR WÄRMEPUMPE



9.1 AXIAL FAN PUMP FOR HEAT PUMP

9.1 VENTILATEUR AXIAL POUR POMPE A CHALEUR



IDENT.-NR.
IDENT.-NO.

BEZEICHNUNG

DESIGNATION

DESIGNATION

MOTOR

SIEHE ELEKTROSCHALTPLAN

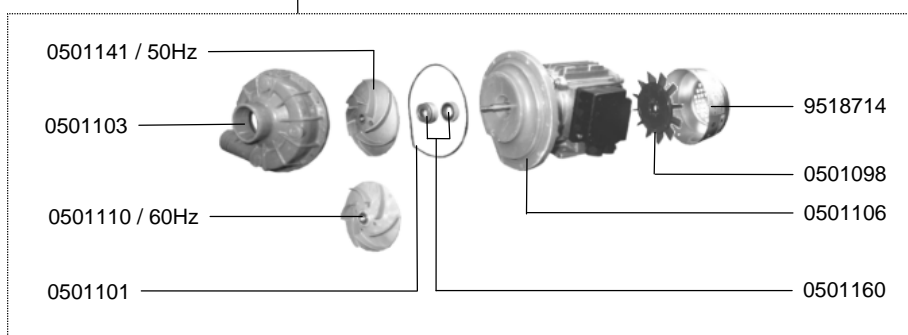
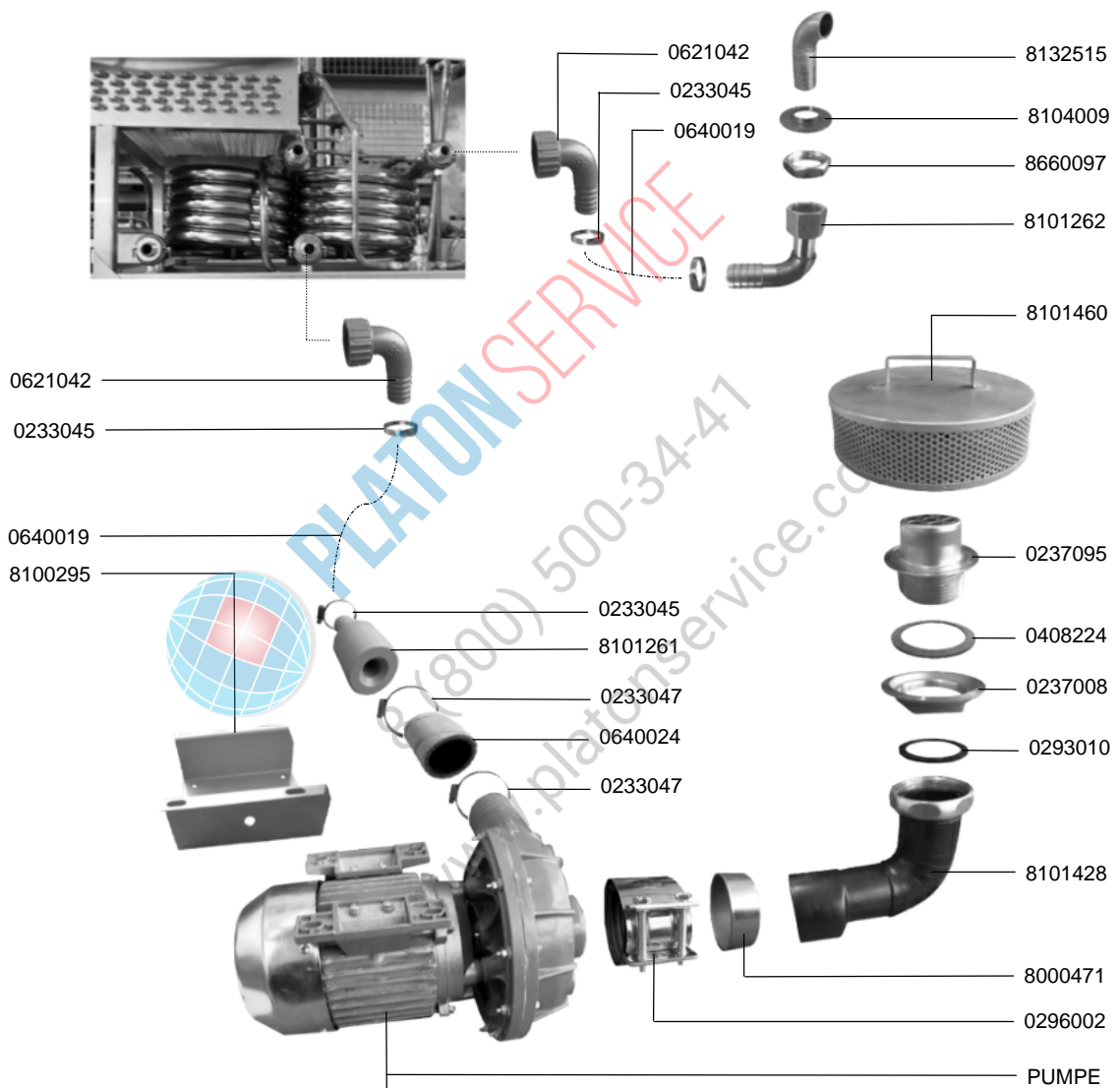
SEE ELECTRIC DIAGRAM

VOIR SCHEMA ELECTRIQUE

9.2 UMWÄLZPUMPE FÜR WÄRMEPUMPE

9.2 CIRCULATION PUMP FOR HEAT PUMP

9.2 POMPE DE CIRCULATION POUR POMPE A CHALEUR



9.2 UMWÄLZPUMPE FÜR WÄRMEPUMPE



9.2 CIRCULATION PUMP FOR HEAT PUMP

9.2 POMPE DE CIRCULATION POUR POMPE A CHALEUR

| IDENT.-NR. IDENT.-NO. | BEZEICHNUNG | DESIGNATION | DESIGNATION |
|--------------------------|-------------------------|-----------------------------|--------------------------|
| 0621042 | ANSCHLUSSWINKEL | CONNECTION ANGLE | ANGLE DE CONNEXION |
| 0233045 | SCHLAUCHKLEMME 20-32 | HOSE WIRE CLAMP 20-32 | COLLIER DE SERRAGE 20-32 |
| 0640019 | SCHLAUCH | HOSE | TUYAU |
| 8132515 | FÜLLHAKEN | FILLING HOOK | CROCHET DE REMPLISSAGE |
| 8104009 | MUTTER ¾" | NUT ¾" | ECROU ¾" |
| 8660097 | SKT.MUTTER ¾" | HEXAGON NUT ¾" | ECROU A 6 PANS ¾" |
| 8101262 | ANSCHLUSWINKEL ¾" | CONNECTION ANGLE ¾" | ANGLE DE CONNEXION ¾" |
| 8101460 | ANSAUGSIEB | SUCTION SIEVE | FILTRE D' ASPIRATION |
| 0237095 | ANSAUGSIEB | SUCTION SIEVE | FILTRE D' ASPIRATION |
| 0408224 | DICHTUNG | PACKING | JOINT |
| 0237008 | MUTTER 2" | NUT 2" | ECROU 2" |
| 0293010 | DICHTUNG | PACKING | JOINT |
| 8101428 | ANSAUGSTUTZEN | SUCTION PORT | MANCHON D' ASPIRATION |
| 8000471 | VERSTÄRKUNGSRING | SUPPORT RING | BAGUE DE SUPPORT |
| 0296002 | VERBINDER CV | CV-CONNECTION | CONNEXION CV |
| PUMPE | SIEHE ELEKTROSCHALTPLAN | SEE ELECTRIC WIRING DIAGRAM | VOIR SHEMA ELECTRIQUE |
| 9518714 | LÜFTERHAUBE | FAN COWL | CAPOTAGE DE VENTILATEUR |
| 0501098 | VENTILATORFLÜGEL | FAN WHEEL | ROUE VENTILATEUR |
| 0501106 | LAGERSCHILD | END SHIELD | FLASQUE |
| V 0501160 | GLEITRINGDICHTUNG | SLIDING SEAL | JOINT AXIAL |
| 0501101 | DICHTUNG | PACKING | JOINT |
| * 0501110 | LAUFRAD 60HZ | IMPELLER 60HZ | ROUE DE POMPE 60HZ |
| 0501103 | PUMPENGHÄUSE | PUMP HOUSING | CORPS DE POMPE |
| * 0501141 | LAUFRAD 50HZ | IMPELLER 50HZ | ROUE DE POMPE 50HZ |
| 0233047 | SCHLAUCHKLEMME 50-70 | HOSE WIRE CLAMP 50-70 | COLLIER DE SERRAGE 50-70 |
| 0640024 | SCHLAUCH | HOSE | TUYAU |
| 8101261 | NIPPEL | NIPPLE | NIPPLE |
| 8100295 | KONSOLE | CONSOLE | CONSOLE |

10.1 ABSAUGGEBLÄSE FÜR WÄRMERÜCKGEWINNUNG



10.1 EXTRACTION FAN FOR HEAT RECOVERY

10.1 VENTILATEUR D'ASPIRATION POUR RECUPERATION



IDENT.-NR. BEZEICHNUNG
IDENT.-NO.

DESIGNATION

DESIGNATION

MOTOR

SIEHE ELEKTROSCHALTPLAN

SEE ELECTRIC DIAGRAM

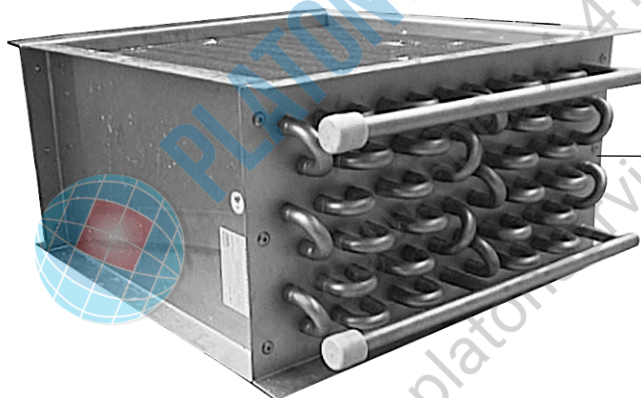
VOIR SCHEMA ELECTRIQUE

10.2 WÄRMETAUSCHER



10.2 HEAT EXCHANGER

10.2 ECHANGEUR DE CHALEUR



0254026 / 1.4435
9517229 / Cu

IDENT.-NR.
IDENT.-NO.

BEZEICHNUNG

DESIGNATION

DESIGNATION

0254026

KÜHLER 1.4435

COOLER 1.4435

REFROIDISSEUR 1.4435

9517229

KÜHLER CU

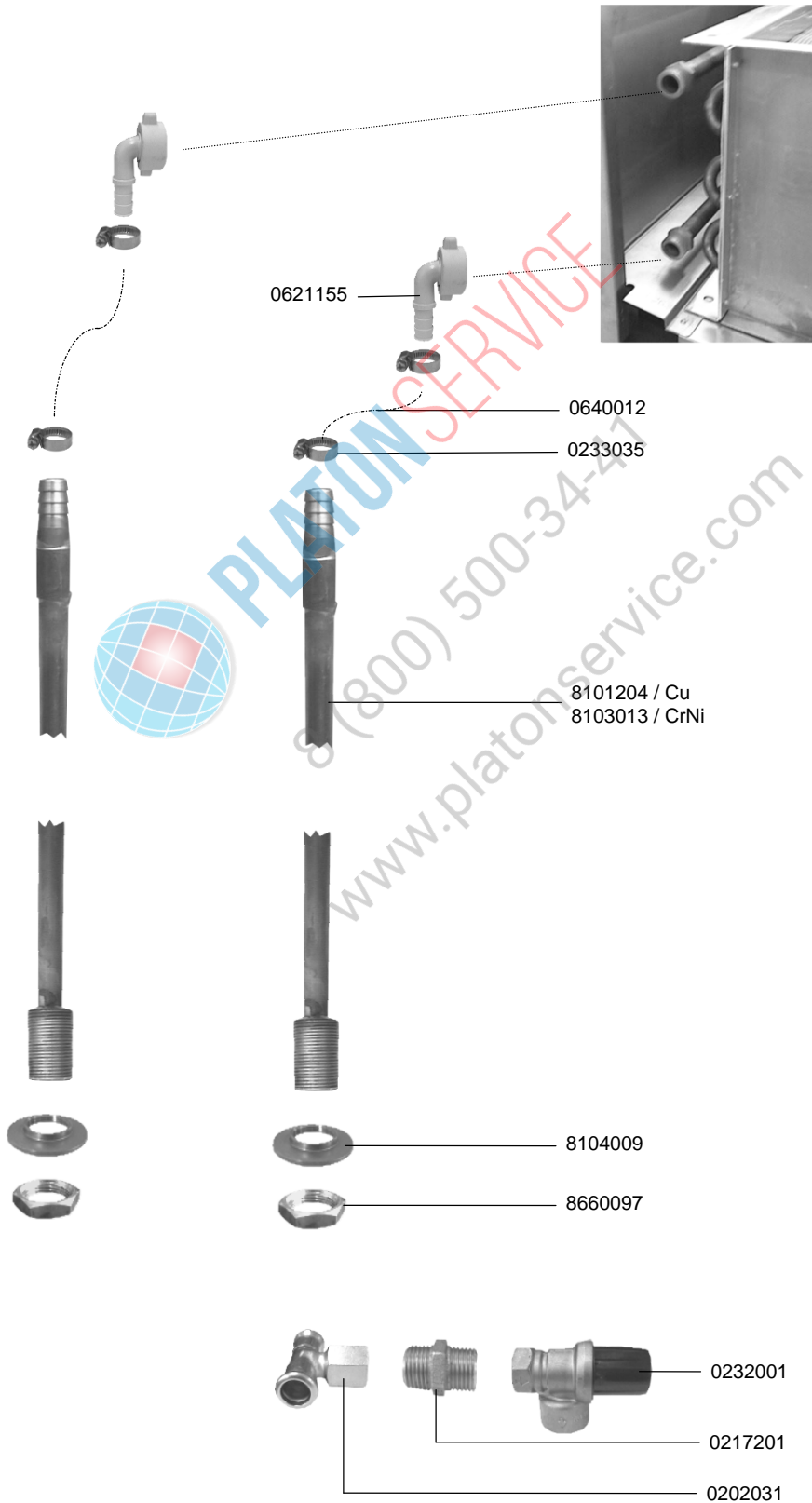
COOLER CU

REFROIDISSEUR CU

10.3 STEIGLEITUNG

10.3 ASCENDING PIPE

10.3 CONDUITE ASCENDANTE



10.3 STEIGLEITUNG



10.3 ASCENDING PIPE

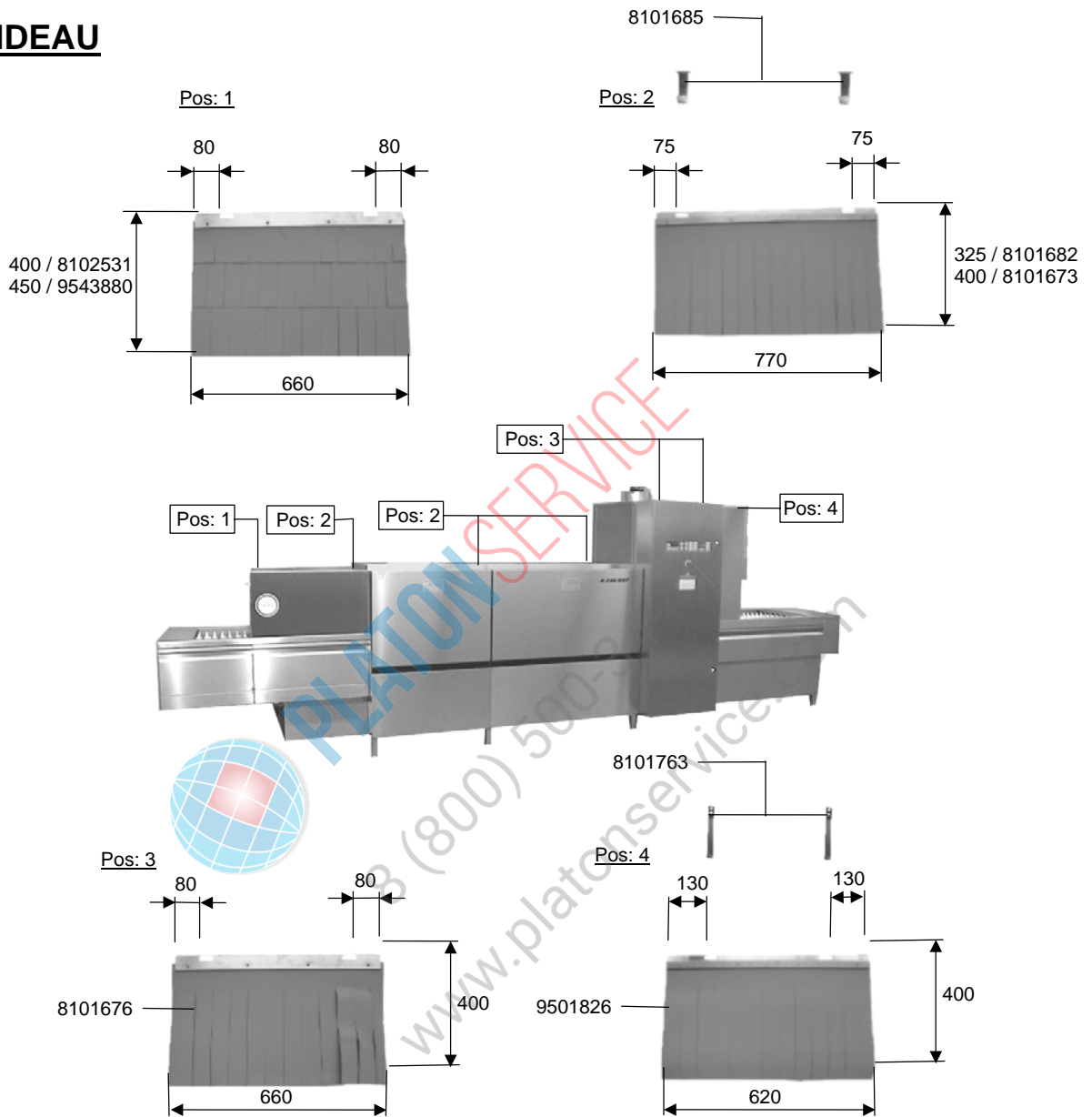
10.3 CONDUITE ASCENDANTE

| IDENT.-NR. IDENT.-NO. | BEZEICHNUNG | DESIGNATION | DESIGNATION |
|--------------------------|----------------------|-----------------------|--------------------------|
| 0621155 | ANSCHLUSSWINKEL | CONNECTION ANGLE | ANGLE DE CONNEXION |
| 0640012 | SCHLAUCH | HOSE | TUYAU |
| 0233035 | SCHLAUCHKLEMME 12-20 | HOSE WIRE CLAMP 12-20 | COLLIER DE SERRAGE 12-20 |
| 8101204 | STEIGROHR CU | ASCENDING PIPE CU | CONDUITE ASCENDANTE CU |
| 8103013 | STEIGROHR CRNI | ASCENDING PIPE CRNI | CONDUITE ASCENDANTE CRNI |
| 8104009 | MUTTER 3/4" | NUT 3/4" | ECROU 3/4" |
| 8660097 | SKT. MUTTER 3/4" | HEXAGON NUT 3/4" | ECROU A 6 PANS 3/4" |
| * 0232001 | SICHERHEITSVENTIL | OVERPRESSURE VALVE | SOUPAPE DE SURPRESSION |
| 0217201 | DOPPELNIPPEL | DOUBLE NIPPLE | NIPPLE DOUBLE |
| 0202031 | T-STÜCK | T-PIECE | PIECE DE T |

11.1.1 VORHÄNGE

11.1.1 CURTAIN

11.1.1 RIDEAU



| IDENT.-NR. IDENT.-NO. | BEZEICHNUNG | DESIGNATION | DESIGNATION |
|--------------------------|-------------|-------------|-------------|
|--------------------------|-------------|-------------|-------------|

| | | | |
|-----------|---------------------------------------|---------------------------------|-------------------------------|
| * 8102531 | VORHANG EINLAUF KPL. 660X400 | CURTAIN FEEDING CPL. 660X400 | RIDEAU ENTREE CPL. 660X400 |
| * 9543880 | VORHANG EINLAUF KPL. 660X450 | CURTAIN FEEDING CPL. 660X450 | RIDEAU ENTREE CPL. 660X450 |
| * 8101673 | VORHANG MASCHINE KPL. 770X400 | CURTAIN MACHINE CPL. 770X400 | RIDEAU MACHINE CPL. 770X400 |
| * 8101682 | VORHANG VOR FNSP KPL. 770X325 | CURTAIN CPL. 770X325 | RIDEAU CPL. 770X325 |
| 8101685 | VORHANGAUFHÄNGEWINKEL | CURTAIN SUSPENSION ANGLE | ANGLE D' ACCROCHAGE DE RIDEAU |
| * 8101676 | VORHANG AUSLAUFTUNNEL KPL. 660X400 | CURTAIN DISCH.SIDE CPL. 660X400 | RIDEAU SORTIE CPL. 660X400 |
| * 9501826 | VORHANG TROCKNUNG KPL. 620X400 | CURTAIN DRYING CPL. 620X400 | RIDEAU SECHAGE CPL. 620X400 |
| 8101763 | VORHANGAUFHÄNGEWINKEL | CURTAIN SUSPENSION ANGLE | ANGLE D' ACCROCHAGE DE RIDEAU |

12.1 ABLAUFROHRVERBINDUNG



12.1 DRAINPIPE CONNECTION

12.1 CONNEXION DE TUYAU DE VIDANGE



| IDENT.-NR. IDENT.-NO. | BEZEICHNUNG | DESIGNATION | DESIGNATION |
|--------------------------|-------------|-------------|-------------|
|--------------------------|-------------|-------------|-------------|

0296003 VERBINDER CV 100MM

CV-CONNECTION 100MM

CONNEXION CV 100MM

0296005 VERBINDER CV 70MM

CV-CONNECTION 70MM

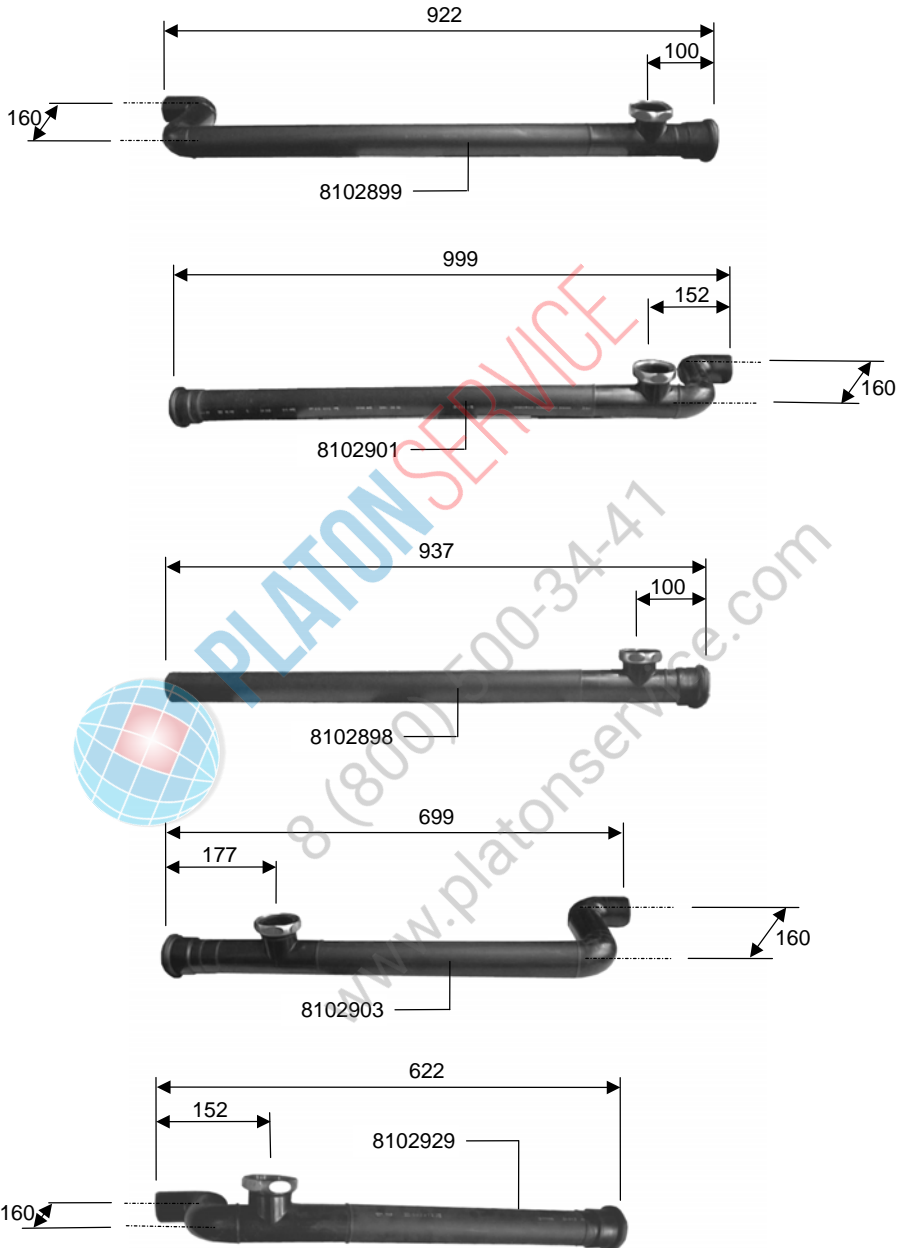
CONNEXION CV 70MM

12.2 ABLAUFVERROHRUNG



12.2 PIPEWORK FOR DRAIN

12.2 TUYAUTERIE DE VIDANGE



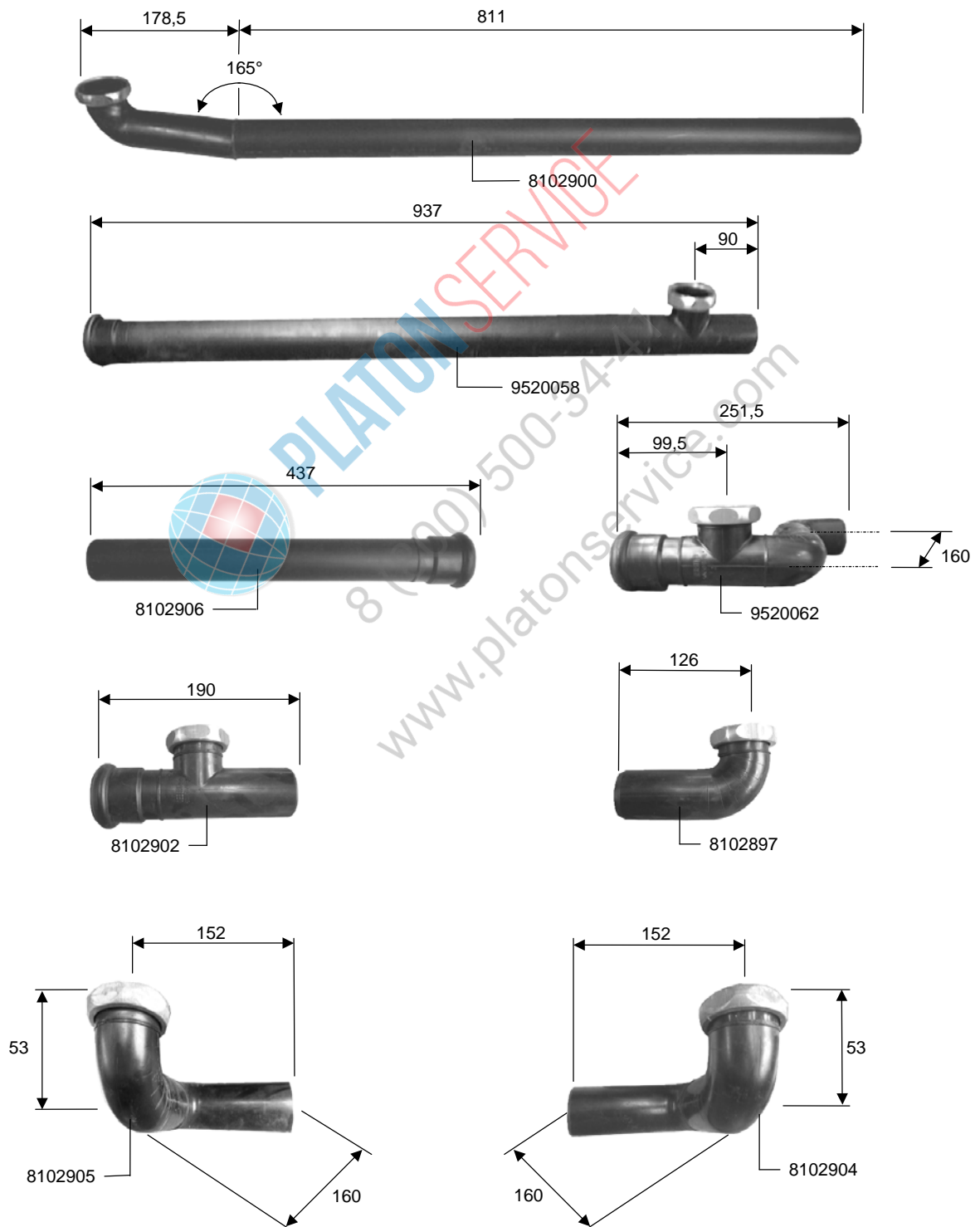
| IDENT.-NR. IDENT.-NO. | BEZEICHUNG | DESIGNATION | DESIGNATION |
|--------------------------|------------|-------------|-------------|
|--------------------------|------------|-------------|-------------|

| | | | |
|---------|------------------|--------------------|-----------------------|
| 8102899 | ABLAUFVERROHRUNG | PIPEWORK FOR DRAIN | TUYAUTERIE DE VIDANGE |
| 8102901 | ABLAUFVERROHRUNG | PIPEWORK FOR DRAIN | TUYAUTERIE DE VIDANGE |
| 8102898 | ABLAUFVERROHRUNG | PIPEWORK FOR DRAIN | TUYAUTERIE DE VIDANGE |
| 8102903 | ABLAUFVERROHRUNG | PIPEWORK FOR DRAIN | TUYAUTERIE DE VIDANGE |
| 8102929 | ABLAUFVERROHRUNG | PIPEWORK FOR DRAIN | TUYAUTERIE DE VIDANGE |

12.3 ABLAUFVERROHRUNG

12.3 PIPEWORK FOR DRAIN

12.3 TUYAUTERIE DE VIDANGE



12.3 ABLAUFVERROHRUNG



12.3 PIPEWORK FOR DRAIN

12.3 TUYAUTERIE DE VIDANGE

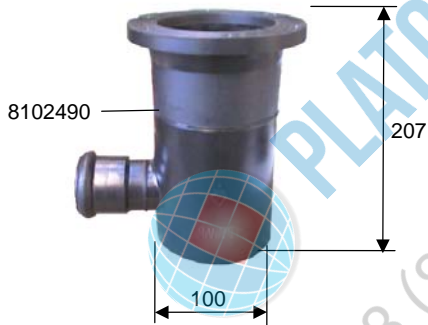
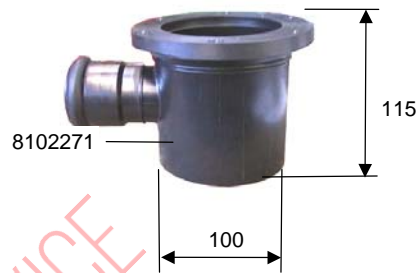
| IDENT.-NR. IDENT.-NO. | BEZEICHNUNG | DESIGNATION | DESIGNATION |
|--------------------------|------------------|--------------------|-----------------------|
| 8102900 | ABLAUFVERROHRUNG | PIPEWORK FOR DRAIN | TUYAUTERIE DE VIDANGE |
| 9520058 | ABLAUFVERROHRUNG | PIPEWORK FOR DRAIN | TUYAUTERIE DE VIDANGE |
| 9520062 | ABLAUFVERROHRUNG | PIPEWORK FOR DRAIN | TUYAUTERIE DE VIDANGE |
| 8102897 | ABLAUFVERROHRUNG | PIPEWORK FOR DRAIN | TUYAUTERIE DE VIDANGE |
| 8102904 | ABLAUFVERROHRUNG | PIPEWORK FOR DRAIN | TUYAUTERIE DE VIDANGE |
| 8102905 | ABLAUFVERROHRUNG | PIPEWORK FOR DRAIN | TUYAUTERIE DE VIDANGE |
| 8102902 | ABLAUFVERROHRUNG | PIPEWORK FOR DRAIN | TUYAUTERIE DE VIDANGE |
| 8102906 | ABLAUFVERROHRUNG | PIPEWORK FOR DRAIN | TUYAUTERIE DE VIDANGE |

12.4 ABLAUFVERROHRUNG, EINLAUF



12.4 PIPEWORK FOR DRAIN, INFEEED

12.4 TUYAUTERIE DE VIDANGE, ENTREE

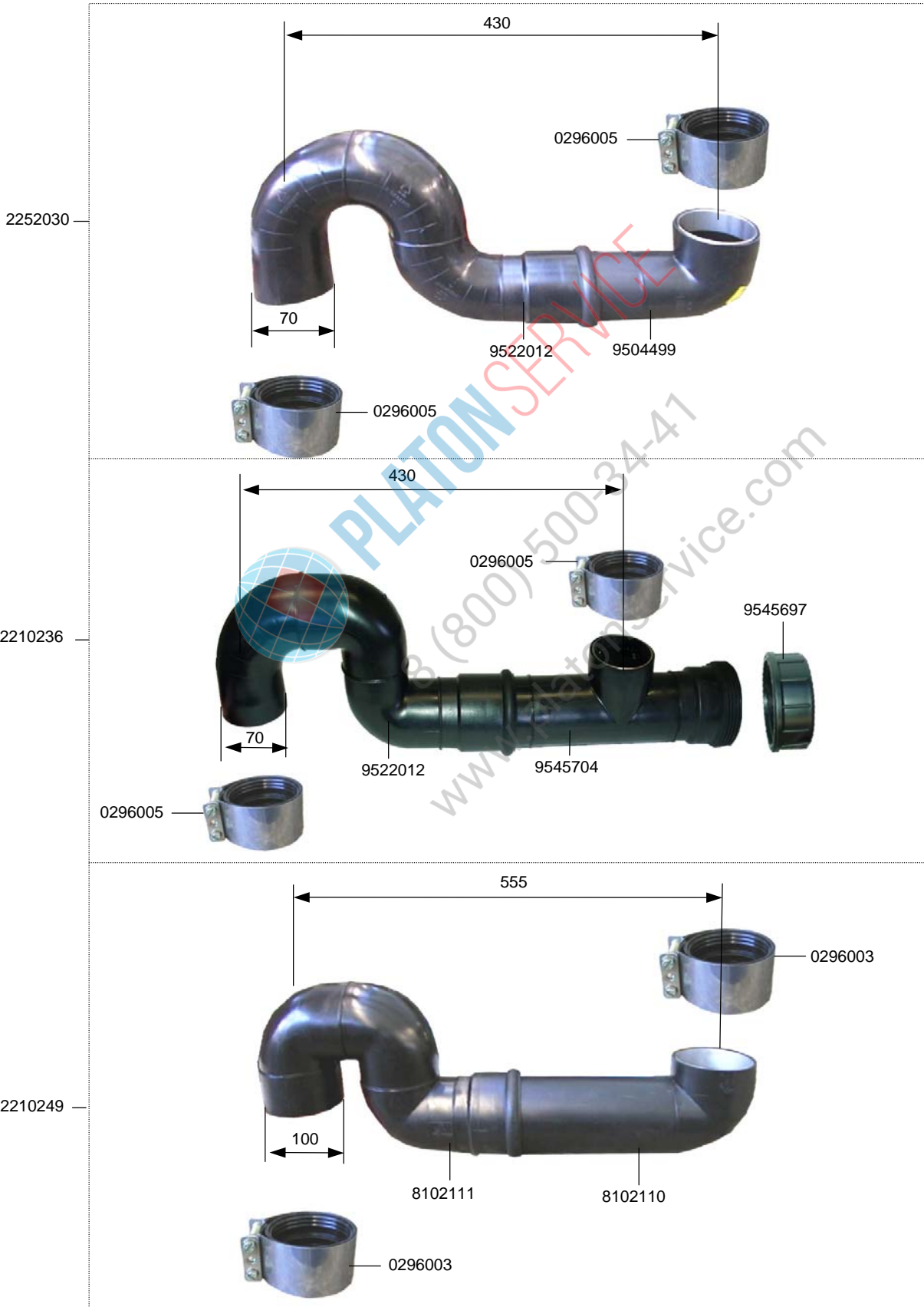


| IDENT.-NR. IDENT.-NO. | BEZEICHNUNG | DESIGNATION | DESIGNATION |
|--------------------------|-------------------------------|-------------------------------------|--------------------------------------|
| 8102271 | EINLAUFSAMMELROHR CSS | FEEDING COLLECTION PIPE CSS | TUYAU-COLLECTEUR ENTREE CSS |
| 9504458 | ABLAUFVERROHRUNG | PIPEWORK FOR DRAIN | TUYAUTERIE DE VIDANGE |
| 8102116 | EINLAUFSAMMELROHR CSS | FEEDING COLLECTION CSS | TUYAU-COLLECTEUR ENTREE CSS |
| 8102490 | EINLAUFSAMMELROHR | FEEDING COLLECTION PIPE | TUYAU-COLLECTEUR ENTREE |
| 8102117 | EINLAUFSAMMELROHR STANDARD | FEEDING COLLECTION PIPE STANDARD | TUYAU -COLLECTEUR ENTREE STANDARD |
| 9521176 | ABLAUFVERROHRUNG | PIPEWORK FOR DRAIN | TUYAUTERIE DE VIDANGE |

12.5 ABLAUFSIFON

12.5 SIPHON

12.5 SIPHON



12.5 ABLAUFSIFON



12.5 SIPHON

12.5 SIPHON

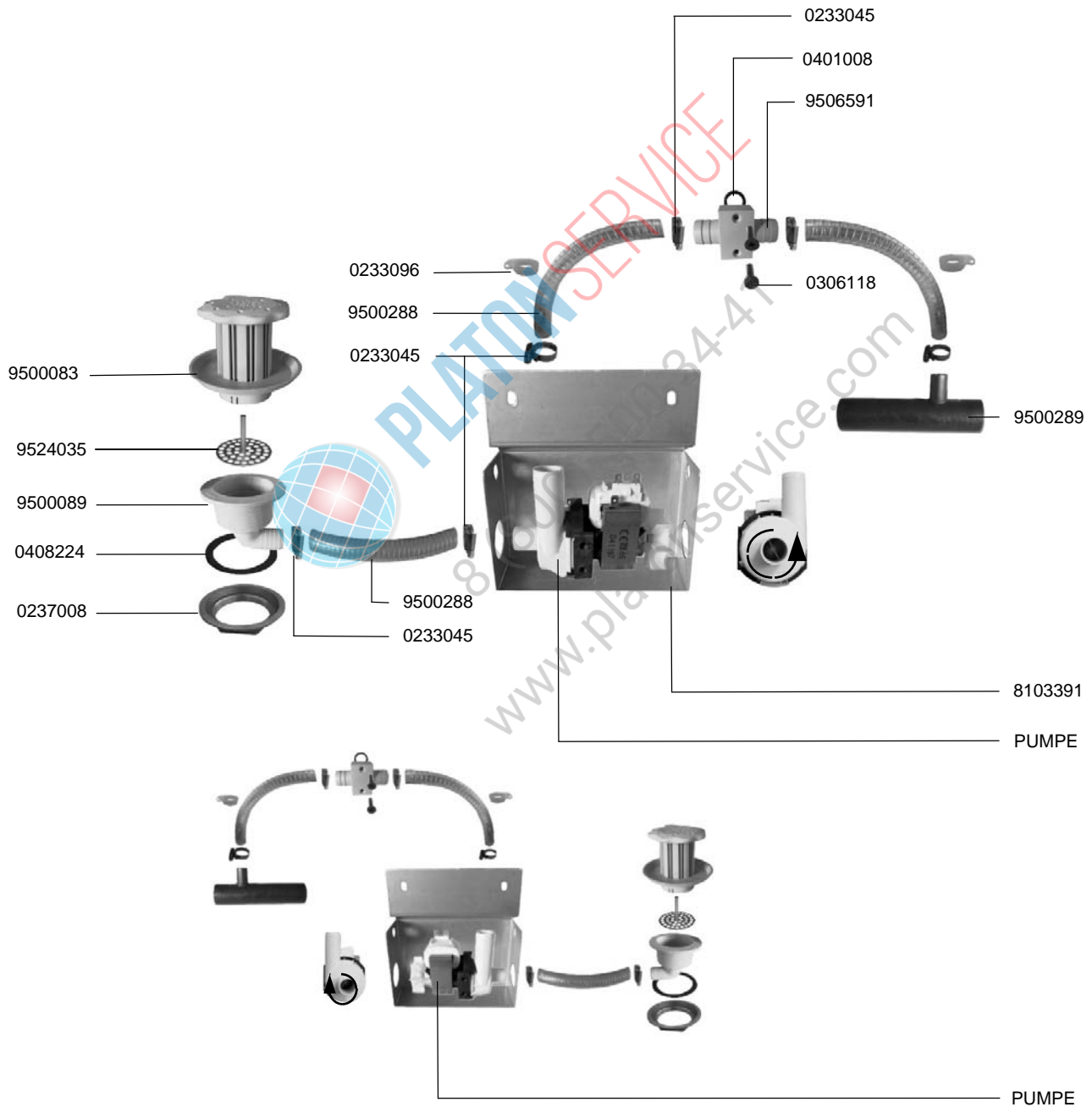
| IDENT.-NR. IDENT.-NO. | BEZEICHNUNG | DESIGNATION | DESIGNATION |
|--------------------------|--|-------------------|-------------------|
| 0296005 | CV-VERBINDER | CV-CONNECTION | CONNEXION-CV |
| 9504499 | ABLAUFSIFON TEIL1 | SIPHON PART1 | SIPHON PART1 |
| 9522012 | GERUCHVERSCHLUß TEIL3 | WATER TRAP PART3 | SIPHON PART3 |
| 9545704 | GERUCHVERSCHLUß TEIL4 | WATER TRAP PART4 | SIPHON PART4 |
| 9545697 | VERSCHLUßKAPPE | END CAP | CAPUCHON DE FERM |
| 0296003 | CV-VERBINDER | CV-CONNECTION | CONNEXION-CV |
| 8102110 | ABLAUFSIFON TEIL 1 | SIPHON PART 1 | SIPHON PARTIE 1 |
| 8102111 | ABLAUFSIFON TEIL 2 | SIPHON PART 2 | SIPHON PARTIE 2 |
| 2210249 | ABLAUFSIFON KPL. CSS | SIPHON CPL. CSS | SIPHON CPL. CSS |
| 2210236 | ABLAUFSIFON KPL.MIT REVISIONSDECKEL DN 70 | SIPHON CPL. DN 70 | SIPHON CPL. DN 70 |
| 2252030 | ABLAUFSIFON KPL. DN 70 | SIPHON CPL. DN 70 | SIPHON CPL. DN 70 |

12.6 TANKABLAUF, PUMPE



12.6 DRAIN, PUMP

12.6 VIDANGE, POMPE



12.6 TANKABLAUF, PUMPE

12.6 DRAIN, PUMP

12.6 VIDANGE, POMPE

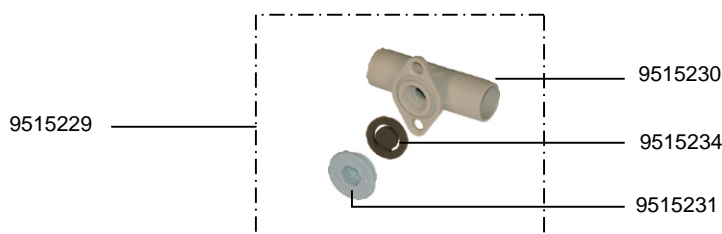
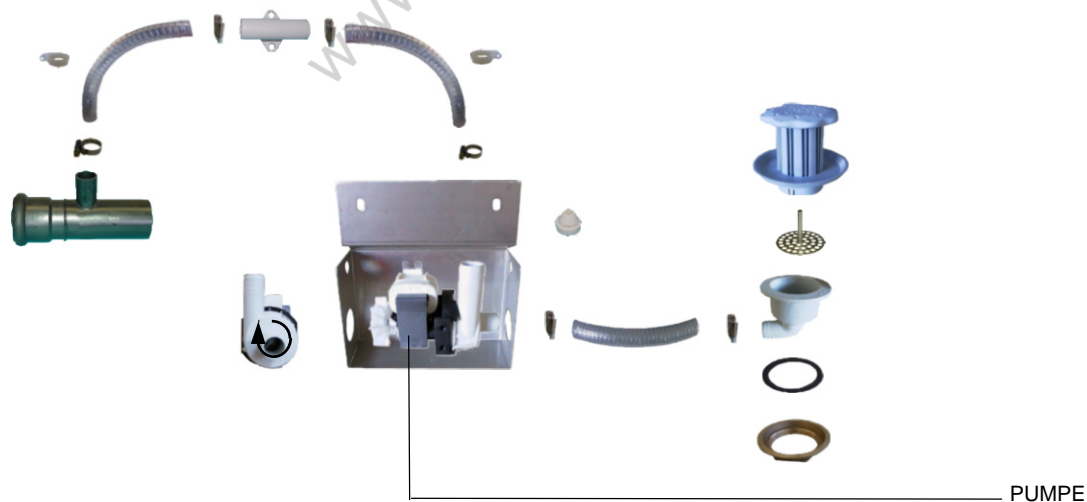
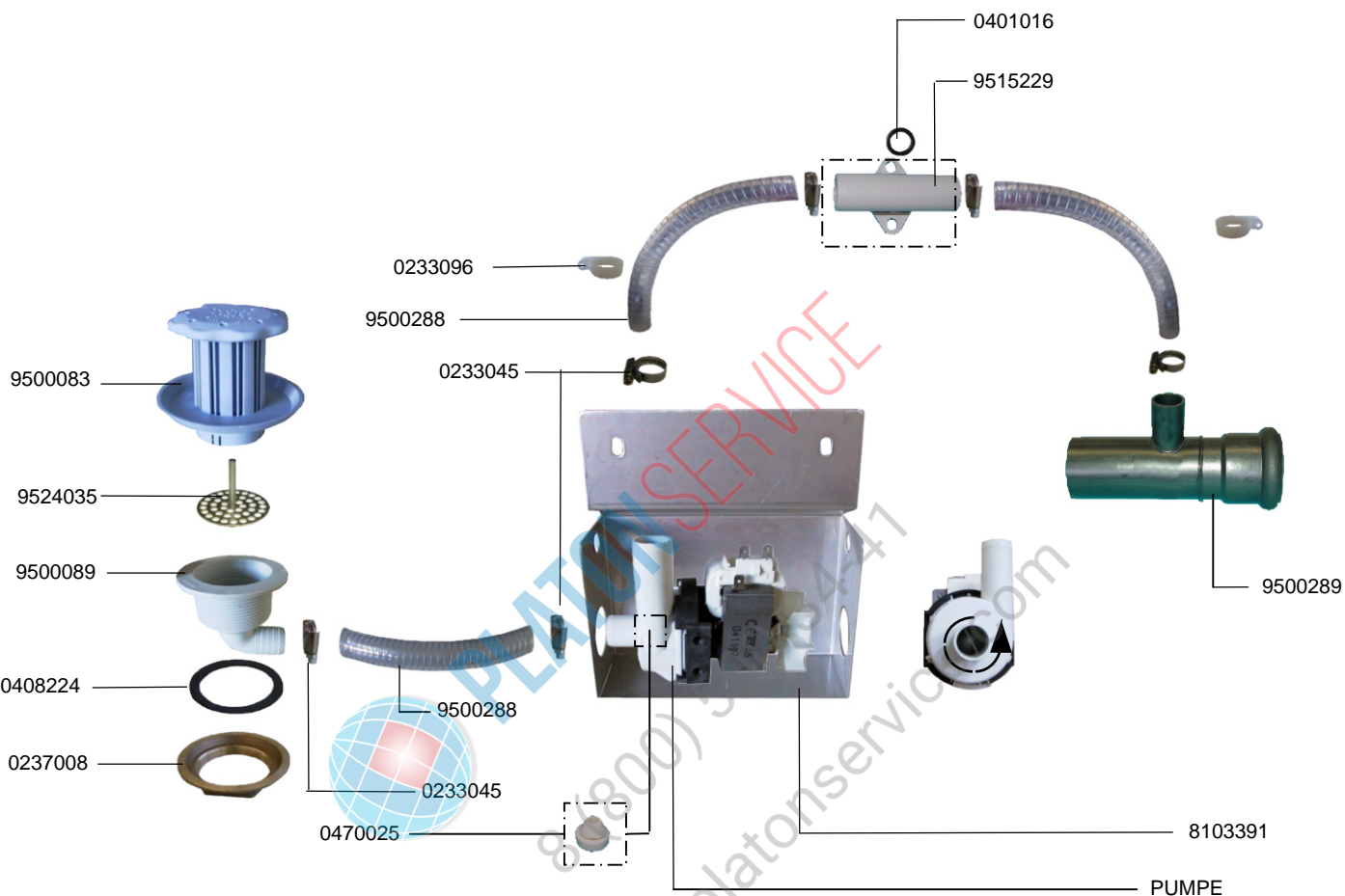
| IDENT.-NR. IDENT.-NO. | BEZEICHNUNG | DESIGNATION | DESIGNATION |
|--------------------------|-------------------------|-----------------------------|---------------------------------|
| 0233045 | SCHLAUCHKLEMME 20-32 | HOSE WIRE CLAMP 20-32 | COLLIER DE SERRAGE 20-32 |
| 0401008 | DICHTUNG | PACKING | JOINT |
| 9506591 | ENTLÜFTUNGSVENTIL | VENT VALVE | VANNE D' AERATION TUYAU |
| 0306118 | SCHRAUBE M4X20 | SCREW M4X20 | VIS M4X20 |
| 9500289 | ROHR | TUBE | TUYAU |
| 8103391 | PUMPENHALTERUNG | PUMP SUPPORT | SUPPORT DE POMPE |
| PUMPE | SIEHE ELEKTROSCHALTPLAN | SEE ELECTRIC WIRING DIAGRAM | VOIR SCHEMA ELECTRIQUE ECROU 2" |
| 9500288 | SCHLAUCH | HOSE | TUYAU |
| 0237008 | MUTTER 2" | NUT 2" | ECROU 2" |
| 0408224 | DICHTUNG | PACKING | JOINT |
| 9500089 | ABLAUFVENTIL | DRAIN VALVE | VANNE DE VIDANGE |
| 9524035 | SIEB FÜR ABLAUF | SIEVE FOR DRAIN | TAIMS POUR VIDAGNE |
| 9500083 | STANDSIEB | SIEVE | FILTRE |
| 0233096 | SCHLAUCHKLEMME | HOSE WIRE CLAMP | COLLIER DE SERRAGE |

12.6.1 TANKABLAUF, PUMPE



12.6.1 DRAIN, PUMP

12.6.1 VIDANGE, POMPE



12.6.1 TANKABLAUF, PUMPE



12.6.1 DRAIN, PUMP

12.6.1 VIDANGE, POMPE

| IDENT.-NR. IDENT.-NO. | BEZEICHNUNG | DESIGNATION | DESIGNATION |
|--------------------------|-------------------------|-----------------------------|----------------------------|
| 0233045 | SCHLAUCHKLEMME 20-32 | HOSE WIRE CLAMP 20-32 | COLLIER DE SERRAGE 20-32 |
| 0401016 | DICHTUNG | PACKING | JOINT |
| 9500289 | ROHR | TUBE | TUYAU |
| 8103391 | PUMPENHALTERUNG | PUMP SUPPORT | SUPPORT DE POMPE |
| PUMPE | SIEHE ELEKTROSCHALTPLAN | SEE ELECTRIC WIRING DIAGRAM | VOIR SCHEMA ELECTRIQUE |
| 9500288 | SCHLAUCH | HOSE | TUYAU |
| 0237008 | MUTTER 2" | NUT 2" | ECROU 2" |
| 0408224 | DICHTUNG | PACKING | JOINT |
| 9500089 | ABLAUFVENTIL | DRAIN VALVE | VANNE DE VIDANGE |
| 9524035 | SIEB FÜR ABLAUF | SIEVE FOR DRAIN | TAMIS POUR VIDANGE |
| 9500083 | STANDSIEB | SIEVE | FILTRE |
| 0233096 | SCHLAUCHKLEMME | HOSE WIRE CLAMP | COLLIER DE SERRAGE |
| 9515229 | ENTLÜFTUNGSVENTIL KPL | VENT VALVE CPL | VANNE D' AERATION CPL |
| 9515230 | ENTLÜFTUNGSVENTIL | VENT VALVE | VANNE D' AERATION |
| 9515234 | DICHTUNG | PACKING | JOINT |
| 9515231 | VERSCHLUSSSCHRAUBE | SCREW PLUG | BOUCHON FILETÉ DE DÉCHARGE |
| 0470025 | GUMMIPUFFER | RUBBER BUFFER | TAMPON EN CAOUTCHOUC |

12.7 TANKABLAUF, STANDROHR



12.7 TANK DRAIN, STAND PIPE

12.7 VIDANGE DE BAC, TUYAU DE VIDANGE



| IDENT.-NR. IDENT.-NO. | BEZEICHNUNG | DESIGNATION | DESIGNATION |
|--------------------------|-------------|-------------|-------------|
|--------------------------|-------------|-------------|-------------|

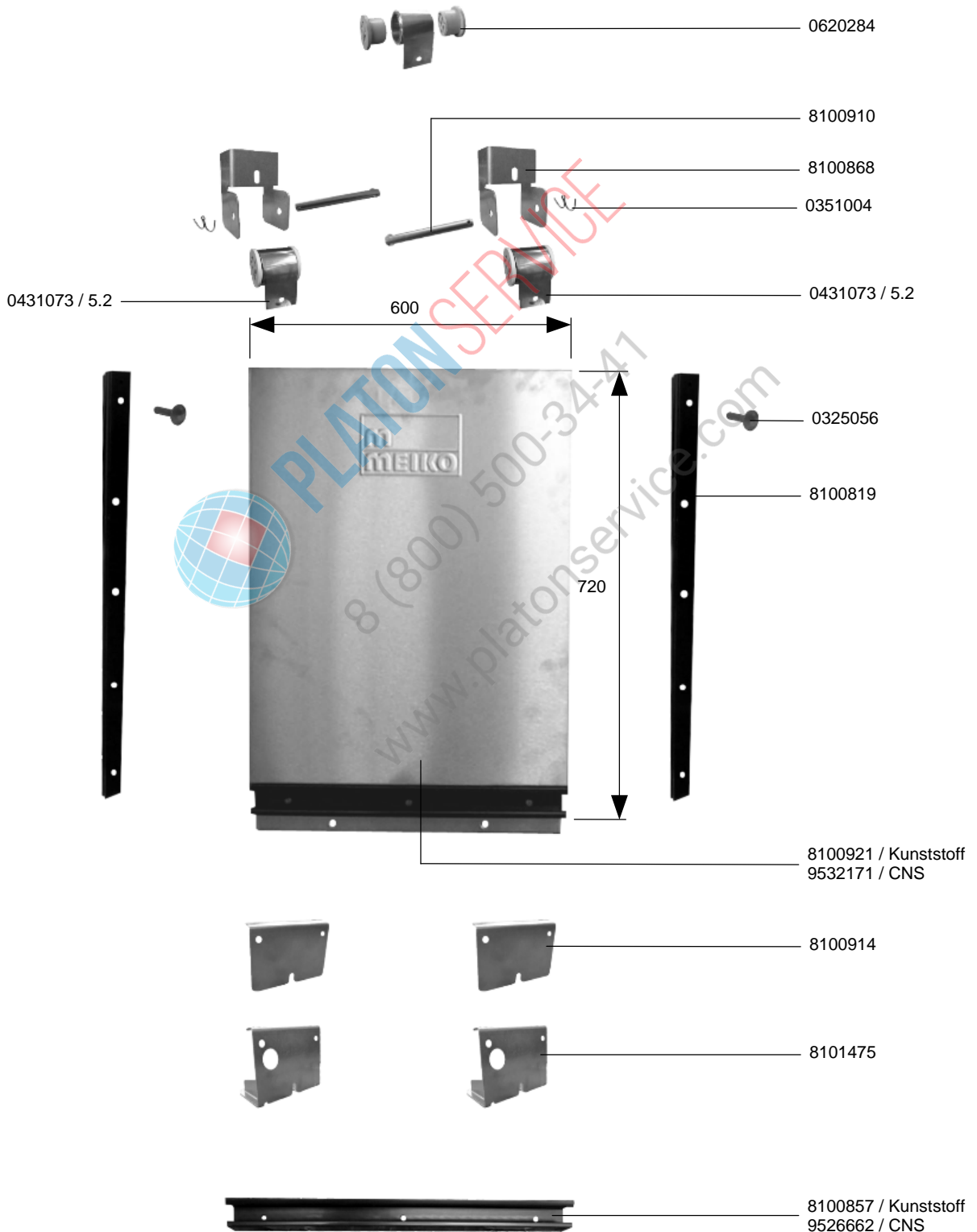
| | | | |
|-----------|---------------------------------------|--------------------------|--------------------------------|
| * 8101478 | TRICHTERSTANDROHR | FUNNEL STAND PIPE | TROP-PLEIN ENTONNOIR |
| 0237008 | STANDR.VENT.-MUTTER 9942 2"X88 MS. | NUT. NO. 9942 MS 2"X88 | ECROU NO. 9942 MS 2"X88 |
| 0408224 | GUMMIDICHTUNG 78X60X2 | RUBBER PACKING 78X60X2 | JOINT EN CAOUTCHOUC 78X60X2 |
| 0237100 | ABLAUF G 2" KOMPLETT | DRAIN 2" 434131240 | VIDANGE 2" |
| * 0620358 | SIEB FUER STANDROHR K363 | SIEVE F. DRAIN PLUG K363 | TAMIS P. TUYAU DE VIDANGE K363 |

13.1 SCHIEBETÜR 600



13.1 SLIDING DOOR 600

13.1 PORTES COULISSANTES 600



13.1 SCHIEBETÜR 600



13.1 SLIDING DOOR 600

13.1 PORTES COULISSANTES 600

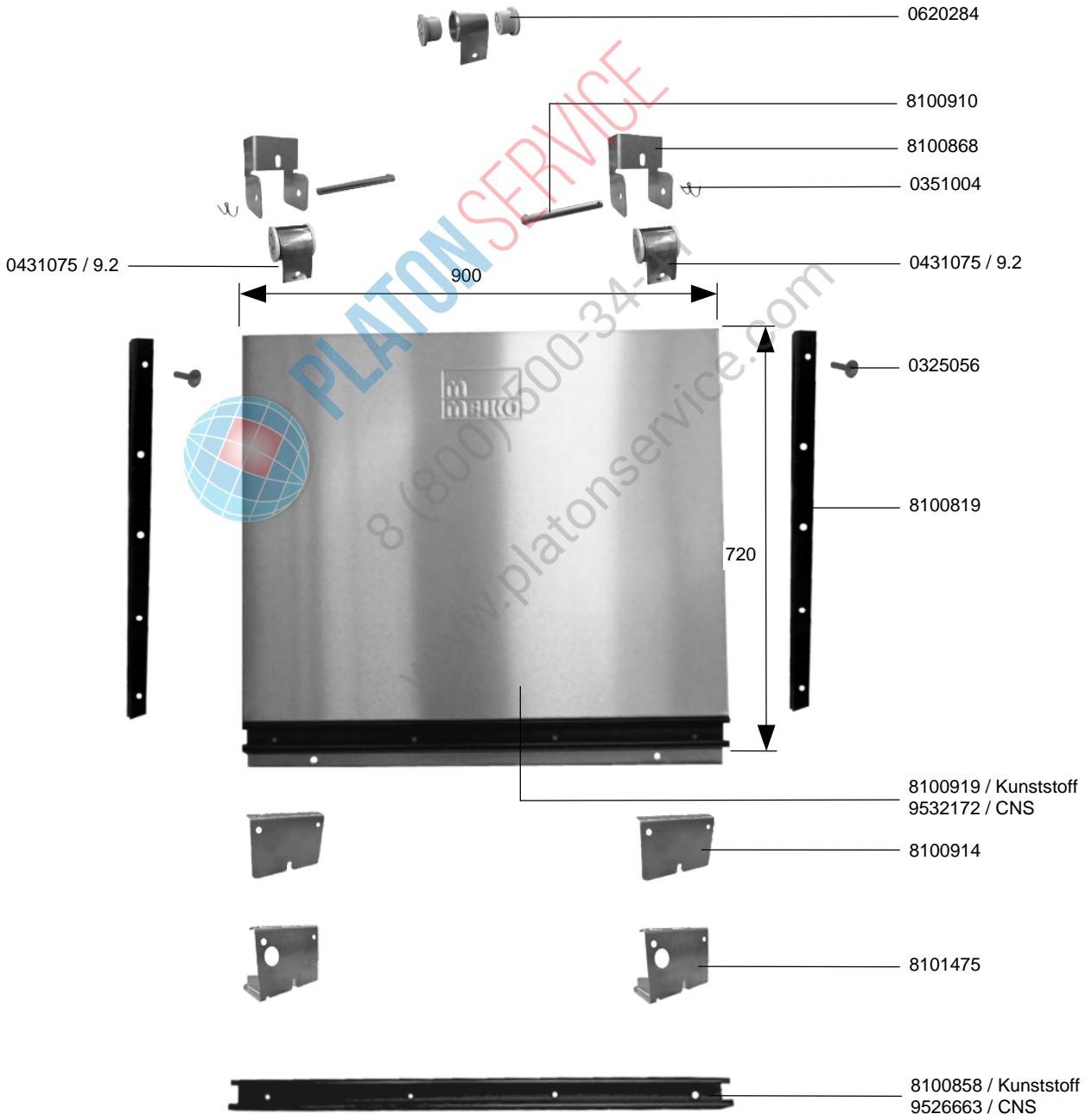
| IDENT.-NR. IDENT.-NO. | BEZEICHNUNG | DESIGNATION | DESIGNATION |
|--------------------------|--|---|--|
| * 0620284 | LAGERROLLE ½" | SUPPORT ROLL ½" | ROLEAU DE SUPPORT ½" |
| 8100910 | LAGERBOLZEN KURZ Ø8X78 | BOLT SHORT Ø8X78 | BOULON Ø8X78 |
| 8100868 | ROLLFEDERHALTERUNG | SCROLL SPRING SUPPORT | SUPPORT POUR RESSORT A CROSSE |
| * 0351004 | SPLINT 2X20 | SPLIT 2X20 | GOUPILLE 2X20 |
| V 0431073 | ROLLFEDER 5.2 | ROLLER SPRING 5.2 | ROULEAU A TROU 5.2 |
| 0325056 | SCHRAUBE M5X30 | SCREW M5X30 | VIS M5X30 |
| 8100819 | FÜHRUNGSSCHIENE | GUIDE RAIL | RAIL DE GUIDAGE |
| 8100921 | TÜR 600 KPL. MIT KUNSTSTOFF GRIFFPROFIL | DOOR WITH PLASTIC HANDLE PROFILE | PORTE AVEC PROFIL DE MANCHE EN MATIERE PLASTIQUE |
| 9523171 | TÜR 600 KPL. MIT CRNI GRIFFPROFIL | DOOR WITH CRNI HANDLE PROFILE | PORTE AVEC PROFIL DE MANCHE EN MATIERE CRNI |
| 8100914 | TÜRANSCHLAG | DOOR CATCH | ARRET DE PORTE |
| 8101475 | TÜRANSCHLAG MIT ABLAUFSCHLIESSUNG | DOOR CATCH WITH DRAIN CLOSING SYSTEM | ARRET DE PORTE AVEC SYSTEME DE FERMETURE DE VIDANGE |
| 8100857 | TÜRGRIFFPROFIL KUNSTSTOFF TÜR 600 | DOOR HANDLE PROFILE PLASTIC DOOR 600 | PROFILE DE POIGNEE DE PORTE EN MATIERE PLASTIQUE PORTE 600 |
| 9526662 | TÜRGRIFFPROFIL CRNI TÜR 600 | DOOR HANDLE PROFILE CRNI DOOR 600 | PROFILE DE POIGNEE DE PORTE EN MATIERE CRNI PORTE 600 |

13.2 SCHIEBETÜR 900



13.2 SLIDING DOOR 900

13.2 PORTES COULISSANTES 900



13.2 SCHIEBETÜR 900



13.2 SLIDING DOOR 900

13.2 PORTES COULISSANTES 900

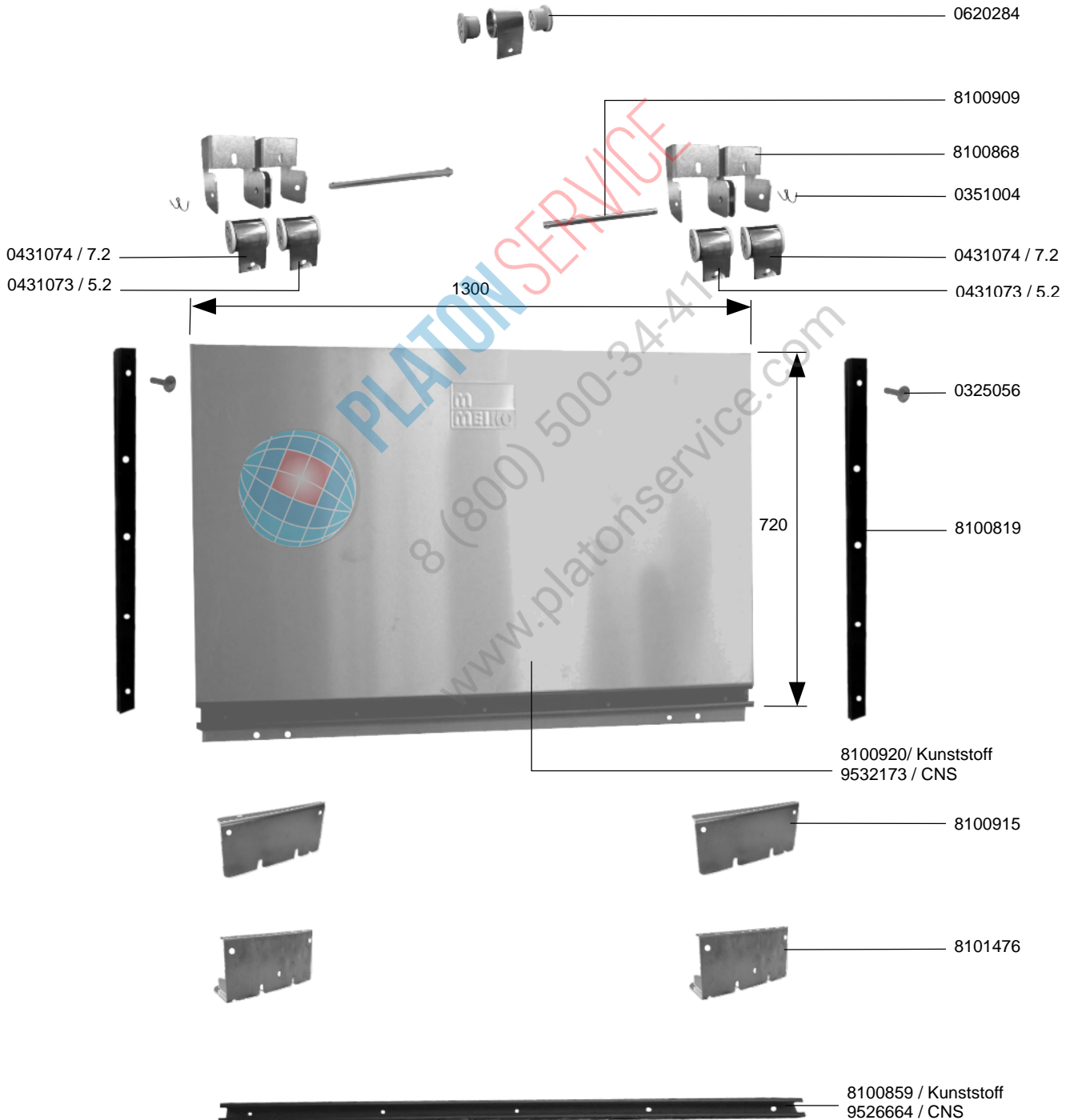
| IDENT.-NR. IDENT.-NO. | BEZEICHNUNG | DESIGNATION | DESIGNATION |
|--------------------------|--|---|--|
| * 0620284 | LAGERROLLE ½" | SUPPORT ROLL ½" | ROLEAU DE SUPPORT ½" |
| 8100910 | LAGERBOLZEN KURZ Ø8X78 | BOLT SHORT Ø8X78 | BOULON Ø8X78 |
| 8100868 | ROLLFEDERHALTERUNG | SCROLL SPRING SUPPORT | SUPPORT POUR RESSORT A CROSSE |
| * 0351004 | SPLINT 2X20 | SPLIT 2X20 | GOUPILLE 2X20 |
| V 0431075 | ROLLFEDER 9.2 | ROLLER SPRING 9.2 | ROULEAU A TROU 9.2 |
| 0325056 | SCHRAUBE M5X30 | SCREW M5X30 | VIS M5X30 |
| 8100819 | FÜHRUNGSSCHIENE | GUIDE RAIL | RAIL DE GUIDAGE |
| 8100919 | TÜR 900 KPL. MIT KUNSTSTOFF GRIFFPROFIL | DOOR WITH PLASTIC HANDLE PROFILE | PORTE AVEC PROFIL DE MANCHE EN MATIERE PLASTIQUE |
| 9523172 | TÜR 900 KPL. MIT CRNI GRIFFPROFIL | DOOR WITH CRNI HANDLE PROFILE | PORTE AVEC PROFIL DE MANCHE EN MATIERE CRNI |
| 8100914 | TÜRANSCHLAG | DOOR CATCH | ARRET DE PORTE |
| 8101475 | TÜRANSCHLAG MIT ABLAUF SCHLIESSUNG | DOOR CATCH WITH DRAIN CLOSING SYSTEM | ARRET DE PORTE AVEC SYSTEME DE FERMETURE DE VIDANGE |
| 8100858 | TÜRGRIFFPROFIL KUNSTSTOFF TÜR 900 | DOOR HANDLE PROFILE PLASTIC DOOR 900 | PROFILE DE POIGNEE DE PORTE EN MATIERE PLASTIQUE PORTE 900 |
| 9526663 | TÜRGRIFFPROFIL CRNI TÜR 900 | DOOR HANDLE PROFILE CRNI DOOR 900 | PROFILE DE POIGNEE DE PORTE EN MATIERE CRNI PORTE 900 |

13.3 SCHIEBETÜR 1300



13.3 SLIDING DOOR 1300

13.3 PORTES COULISSANTES 1300



13.3 SCHIEBETÜR 1300



13.3 SLIDING DOOR 1300

13.3 PORTES COULISSANTES 1300

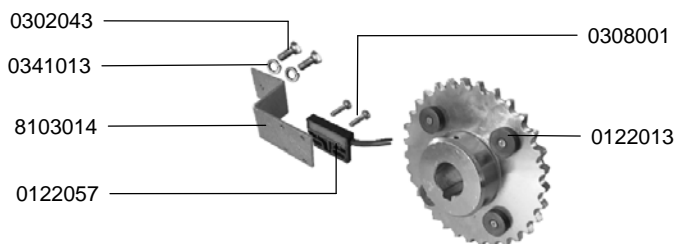
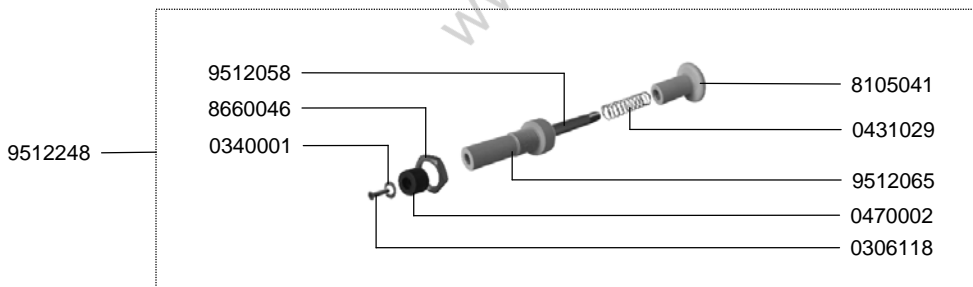
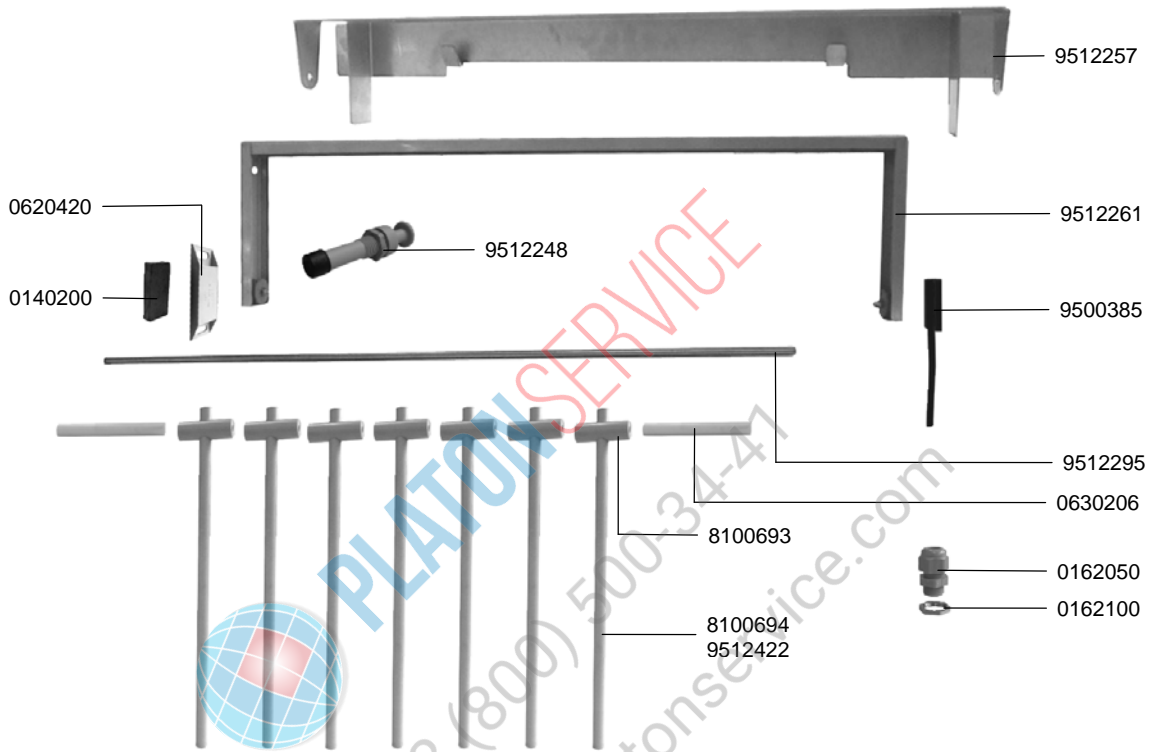
| IDENT.-NR. IDENT.-NO. | BEZEICHNUNG | DESIGNATION | DESIGNATION |
|--------------------------|---|--|---|
| * 0620284 | LAGERROLLE ½" | SUPPORT ROLL ½" | ROLEAU DE SUPPORT ½" |
| 8100909 | LAGERBOLZEN LANG Ø8X149 | BOLT LONG Ø8X149 | BOULON Ø8X149 |
| 8100868 | ROLLFEDERHALTERUNG | SCROLL SPRING SUPPORT | SUPPORT POUR RESSORT A CROSSE |
| * 0351004 | SPLINT 2X20 | SPLIT 2X20 | GOUILLE 2X20 |
| V 0431074 | ROLLFEDER 7.2 | ROLLER SPRING 7.2 | ROULEAU A TROU 7.2 |
| V 0431073 | ROLLFEDER 5.2 | ROLLER SPRING 5.2 | ROULEAU A TROU 5.2 |
| 0325056 | SCHRAUBE M5X30 | SCREW M5X30 | VIS M5X30 |
| 8100819 | FÜHRUNGSSCHIENE | GUIDE RAIL | RAIL DE GUIDAGE |
| 8100920 | TÜR 1300 KPL. MIT KUNSTSTOFF GRIFFPROFIL | DOOR WITH PLASTIC HANDLE PROFILE | PORTE AVEC PROFIL DE MANCHE EN MATIERE PLASTIQUE |
| 9523173 | TÜR 1300 KPL. MIT CRNI GRIFFPROFIL | DOOR WITH CRNI HANDLE PROFILE | PORTE AVEC PROFIL DE MANCHE EN MATIERE CRNI |
| 8100915 | TÜRANSCHLAG | DOOR CATCH | ARRET DE PORTE |
| 8101476 | TÜRANSCHLAG MIT ABLAUFSCHLIESSUNG | DOOR CATCH WITH DRAIN CLOSING SYSTEM | ARRET DE PORTE AVEC SYSTEME DE FERMETURE DE VIDANGE |
| 8100859 | TÜRGRIFFPROFIL KUNSTSTOFF TÜR 1300 | DOOR HANDLE PROFILE PLASTIC DOOR 1300 | PROFILE DE POIGNEE DE PORTE EN MATIERE PLASTIQUE PORTE 1300 |
| 9526664 | TÜRGRIFFPROFIL CRNI TÜR 1300 | DOOR HANDLE PROFILE CRNI DOOR 1300 | PROFILE DE POIGNEE DE PORTE EN MATIERE CRNI PORTE 1300 |

14.1 TAKTSCHALTUNG



14.1 INTERVAL SWITCH

14.1 INTERRUPTEUR DE SYNCHRONISATION



14.1 TAKTSCHALTUNG



14.1 INTERVAL SWITCH

14.1 INTERRUPTEUR DE SYNCHRONISATION

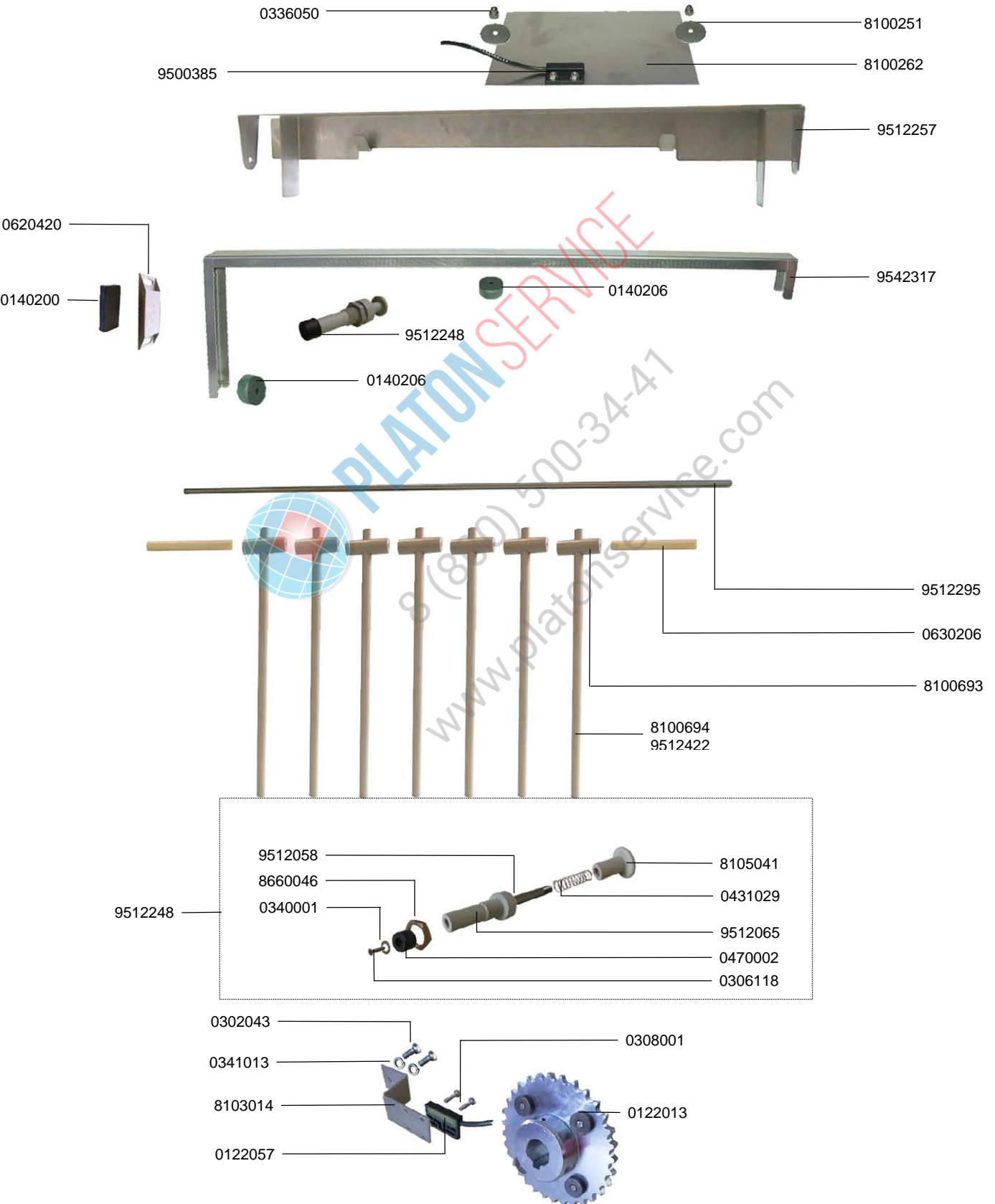
| IDENT.-NR. IDENT.-NO. | BEZEICHNUNG | DESIGNATION | DESIGNATION |
|--------------------------|---------------------|---------------------|-------------------------|
| 9512257 | AUFHÄNGEBLECH | SUSPENSION | SUSPENSION |
| 9512261 | WIPPE | ROCKER | BASCULE |
| 9512248 | DRUCKTASTER KPL. | PUSH BUTTON CPL. | BOUTON-POUSSOIR CPL. |
| 9500385 | SCHALTER | SWITCH | INTERRUPTEUR |
| 9512295 | LAGERSTANGE | BUSHING SHAFT | ARBRE DE PALIER |
| 0630206 | ROHR | TUBE | TUYAU |
| 8100693 | ROHR | TUBE | TUYAU |
| 0162050 | VERSCHRAUBUNG | SCREWING | VISSAGE |
| 0162100 | GEGENMUTTER | COUNTER NUT | ECROU RACCORD |
| 8100694 | ROHR | TUBE | TUYAU |
| 9512422 | ROHR | TUBE | TUYAU |
| 8105041 | DRUCKKNOPF | BUTTON | BOUTON |
| 0431029 | DRUCKFEDER | PRESSURE SPRING | RESSORT DE PRESSION |
| 9512065 | SCHALTERFÜHRUNG | SWITCH GUIDING | GUIDAGE D' INTERRUPTEUR |
| 0470002 | PUFFER | BOUMPER | AMORTISSEUR |
| 0306118 | SCHRAUBE M4X20 | SCREW M4X20 | VIS M4X20 |
| 0308001 | SCHRAUBE M3X6 | SCREW M3X6 | VIS M3X6 |
| 0122013 | RINGMAGNET | RING MAGNET | AIMANT ROND |
| 0122057 | MAGNETSCHALTER | MAGNET SWITCH | INTERRUPTEUR |
| 8103014 | BEFESTIGUNGSBLECH | FIXATION | FIXATION |
| 0341013 | FEDERRING | SPRING RING | BAGUE RESSORT |
| 0302043 | SKT. SCHRAUBE M5X10 | HEXAGON SCREW M5X10 | VIS A 6 PANS M5X10 |
| 0340001 | SCHEIBE | DISK | DISQUE |
| 8660046 | SKT. MUTTER ½" | HEXAGON NUT ½" | ECROU A 6 PANS ½" |
| 9512058 | DRUCKSTANGE | PUSH ROD | BANNE-POUSSOIR |
| 0140200 | MAGNET | MAGNET | AIMANT |
| 0640420 | HALTERUNG | SUPPORT | SUPPORT |

14.1.1 TAKTSCHALTUNG



14.1.1 INTERVAL SWITCH

14.1.1 INTERRUPTEUR DE SYNCHRONISATION



14.1.1 TAKTSCHALTUNG



14.1.1 INTERVAL SWITCH

14.1.1 INTERRUPTEUR DE SYNCHRONISATION

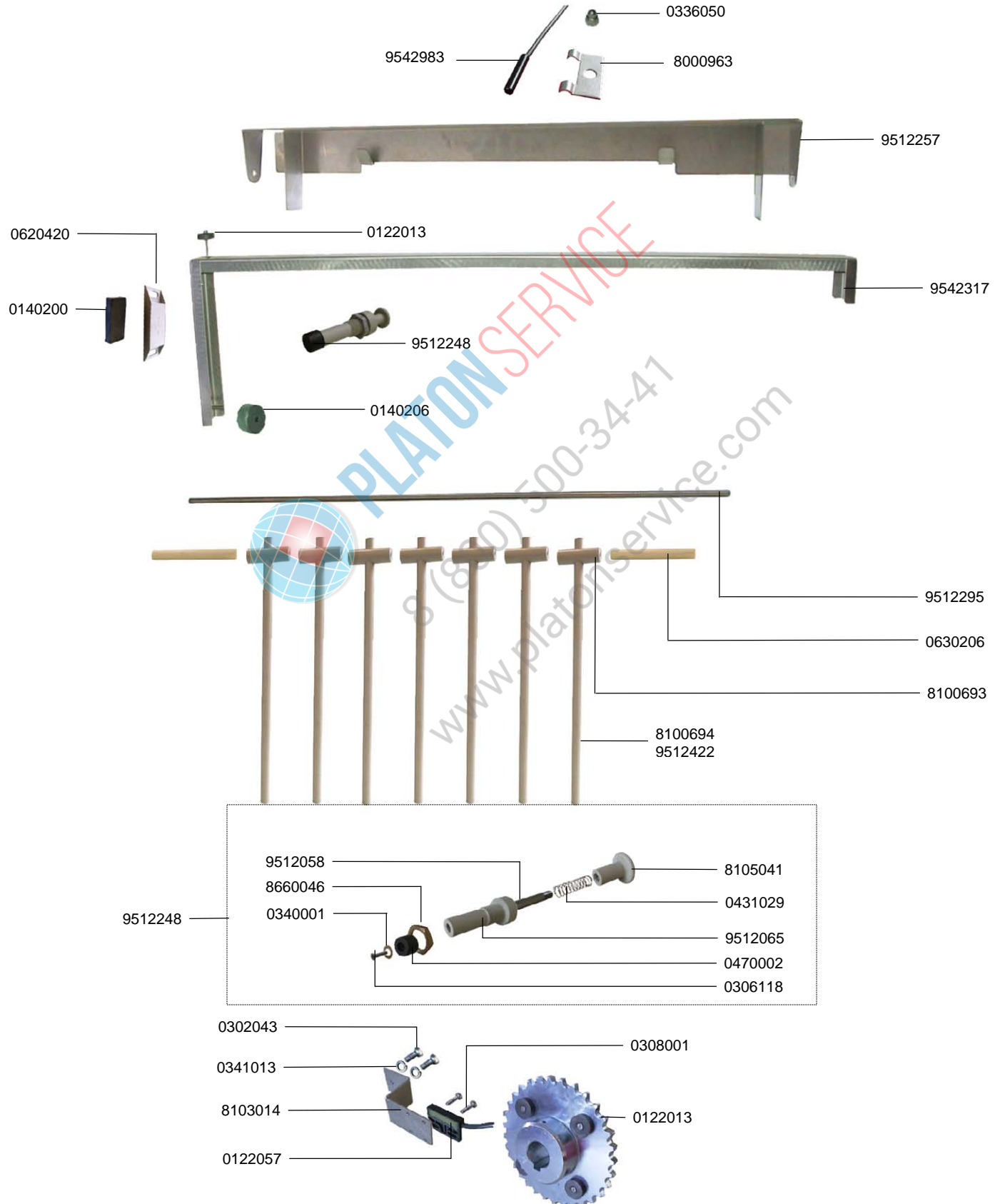
| IDENT.-NR. IDENT.-NO. | BEZEICHNUNG | DESIGNATION | DESIGNATION |
|--------------------------|---------------------|---------------------|-------------------------|
| 0336050 | HUTMUTTER M5 | CAP NUT M5 | ECROU BORGNE M5 |
| 8100251 | U-SCHEIBE D 34*7 | FRONT DISC D 34*7 | RONDELLE 34*7 |
| 8100262 | TRÄGERBLECH | HOLDING SHEET. | TOLE A POUTRE. |
| 9500385 | SCHALTER | SWITCH | INTERRUPTEUR |
| 9512257 | AUFHÄNGEBLECH | SUSPENSION | SUSPENSION |
| 0140206 | RINGMAGNET | RING MAGNET | AIMANT ROND |
| 9542317 | WIPPE | ROCKER | BASCULE |
| 9512248 | DRUCKTASTER KPL. | PUSH BUTTON CPL. | BOUTON-POUSSOIR CPL. |
| 9512295 | LAGERSTANGE | BUSHING SHAFT | ARBRE DE PALIER |
| 0630206 | ROHR | TUBE | TUYAU |
| 8100693 | ROHR | TUBE | TUYAU |
| 8100694 | ROHR | TUBE | TUYAU |
| 9512422 | ROHR | TUBE | TUYAU |
| 8105041 | DRUCKKNOPF | BUTTON | BOUTON |
| 0431029 | DRUCKFEDER | PRESSURE SPRING | RESSORT DE PRESSION |
| 9512065 | SCHALTERFÜHRUNG | SWITCH GUIDING | GUIDAGE D' INTERRUPTEUR |
| 0470002 | PUFFER | BOUMPER | AMORTISSEUR |
| 0306118 | SCHRAUBE M4X20 | SCREW M4X20 | VIS M4X20 |
| 0308001 | SCHRAUBE M3X6 | SCREW M3X6 | VIS M3X6 |
| 0122013 | RINGMAGNET | RING MAGNET | AIMANT ROND |
| 0122057 | MAGNETSCHALTER | MAGNET SWITCH | INTERRUPTEUR |
| 8103014 | BEFESTIGUNGSBLECH | FIXATION | FIXATION |
| 0341013 | FEDERRING | SPRING RING | BAGUE RESSORT |
| 0302043 | SKT. SCHRAUBE M5X10 | HEXAGON SCREW M5X10 | VIS A 6 PANS M5X10 |
| 0340001 | SCHEIBE | DISK | DISQUE |
| 8660046 | SKT. MUTTER ½" | HEXAGON NUT ½" | ECROU A 6 PANS ½" |
| 9512058 | DRUCKSTANGE | PUSH ROD | BANNE-POUSSOIR |
| 0140200 | MAGNET | MAGNET | AIMANT |
| 0640420 | HALTERUNG | SUPPORT | SUPPORT |

14.1.2 TAKTSCHALTUNG



14.1.2 INTERVAL SWITCH

14.1.2 INTERRUPTEUR DE SYNCHRONISATION



14.1.2 TAKTSCHALTUNG

14.1.2 INTERVAL SWITCH

14.1.2 INTERRUPTEUR DE SYNCHRONISATION

| IDENT.-NR. IDENT.-NO. | BEZEICHNUNG | DESIGNATION | DESIGNATION |
|--------------------------|---------------------|---------------------|-------------------------|
| 0336050 | HUTMUTTER M5 | CAP NUT M5 | ECROU BORGNE M5 |
| 9000963 | HALTER | SUPPORT | APPUI |
| 9542983 | SCHALTER | SWITCH | INTERRUPTEUR |
| 9512257 | AUFHÄNGEBLECH | SUSPENSION | SUSPENSION |
| 0122013 | MAGNET | MAGNET | AIMANT |
| 9542317 | WIPPE | ROCKER | BASCULE |
| 9512248 | DRUCKTASTER KPL. | PUSH BUTTON CPL. | BOUTON-POUSSOIR CPL. |
| 9512295 | LAGERSTANGE | BUSHING SHAFT | ARBRE DE PALIER |
| 0630206 | ROHR | TUBE | TUYAU |
| 8100693 | ROHR | TUBE | TUYAU |
| 8100694 | ROHR | TUBE | TUYAU |
| 9512422 | ROHR | TUBE | TUYAU |
| 8105041 | DRUCKKNOPF | BUTTON | BOUTON |
| 0431029 | DRUCKFEDER | PRESSURE SPRING | RESSORT DE PRESSION |
| 9512065 | SCHALTERFÜHRUNG | SWITCH GUIDING | GUIDAGE D' INTERRUPTEUR |
| 0470002 | PUFFER | BOUMPER | AMORTISSEUR |
| 0306118 | SCHRAUBE M4X20 | SCREW M4X20 | VIS M4X20 |
| 0308001 | SCHRAUBE M3X6 | SCREW M3X6 | VIS M3X6 |
| 0122013 | RINGMAGNET | RING MAGNET | AIMANT ROND |
| 0122057 | MAGNETSCHALTER | MAGNET SWITCH | INTERRUPTEUR |
| 8103014 | BEFESTIGUNGSBLECH | FIXATION | FIXATION |
| 0341013 | FEDERRING | SPRING RING | BAGUE RESSORT |
| 0302043 | SKT. SCHRAUBE M5X10 | HEXAGON SCREW M5X10 | VIS A 6 PANS M5X10 |
| 0340001 | SCHEIBE | DISK | DISQUE |
| 8660046 | SKT. MUTTER ½" | HEXAGON NUT ½" | ECROU A 6 PANS ½" |
| 9512058 | DRUCKSTANGE | PUSH ROD | BANNE-POUSSOIR |
| 0140206 | MAGNET | MAGNET | AIMANT |
| 0640420 | HALTERUNG | SUPPORT | SUPPORT |

15.1 UMLENKUNG



15.1 REVERSE UNIT

15.1 RENVOI



IDENT.-NR.
IDENT.-NO.

BEZEICHNUNG

DESIGNATION

DESIGNATION

9503966-03 UMLENKSCHIEBE LINKS
9503966-04 UMLENKSCHIEBE RECHTS
0336052 HUTMUTTER M8
0340055 SCHEIBE
9503964 DISTANZKLOTZ SW17X30
9505909 SCHRAUBE M8X45

REVERSE DISK LEFT
REVERSE DISK RIGHT
CAP NUT M8
DISK
DISTANCE BLOCK
SCREW M8X45

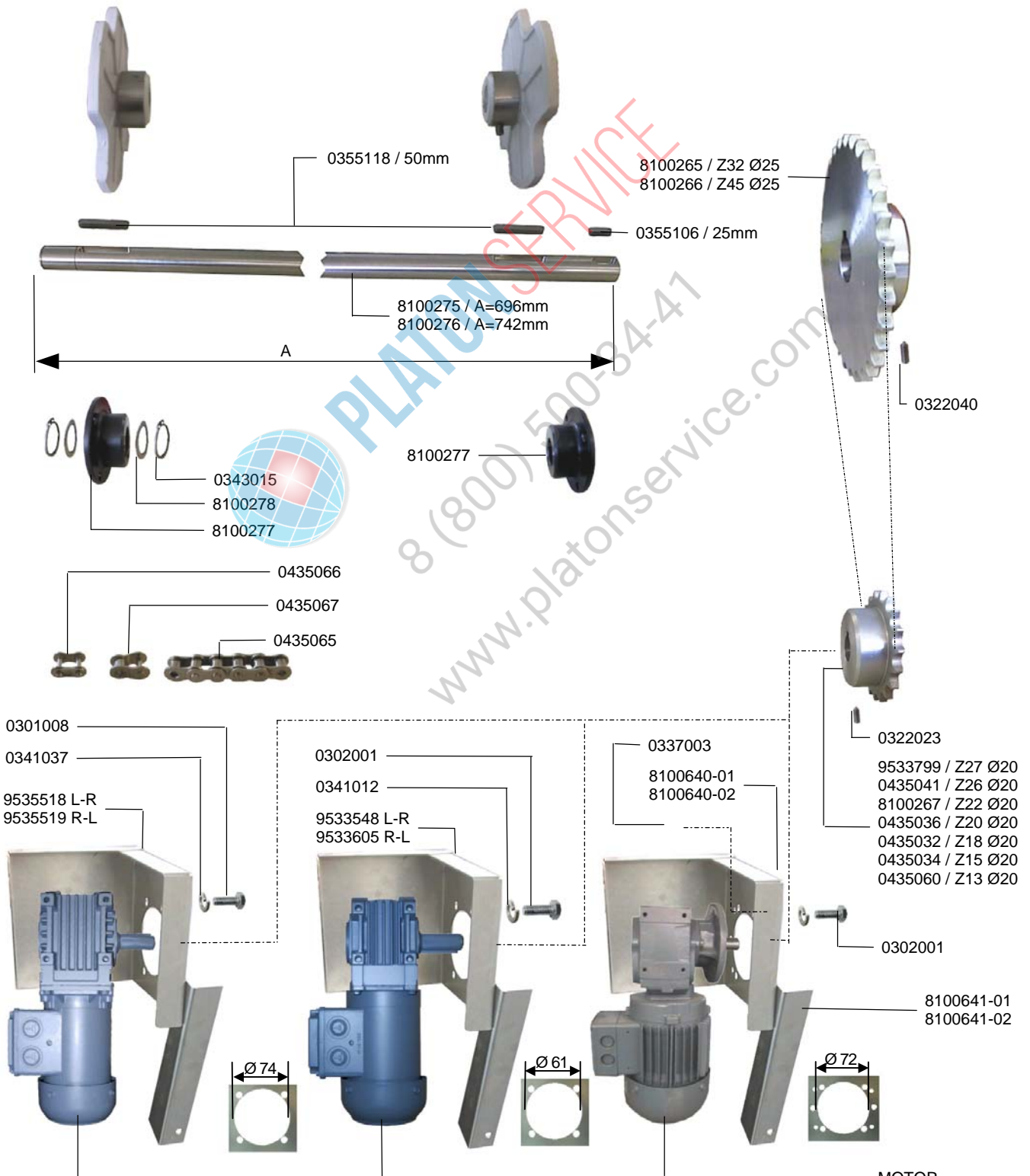
DISQUE DE RENVOI GAUCHE
DISQUE DE RENVOI DROITE
ECROU BORGNE M8
DISQUE
BLOC DE DISTANCE
VIS M8X45

15.2 BANDANTRIEB DREHSTROM / FREQUENZUMRICHTERBETRIEB



15.2 BELT DRIVE 3-PHASE-CURRENT / FREQUENCY CONVERTER OPERATION

15.2 ENTRAINEMENT DE CONVOYEUR TRI-PHASE / OPÉRATION DU CONVERTEUR DE FRÉQUENCE



15.2 BANDANTRIEB DREHSTROM / FREQUENZUMRICHTERBETRIEB



15.2 BELT DRIVE 3-PHASE-CURRENT / FREQUENCY CONVERTER OPERATION

15.2 ENTRAINEMENT DE CONVOYEUR TRI-PHASE / OPERATION DU CONVERTEUR DE FREQUENCE

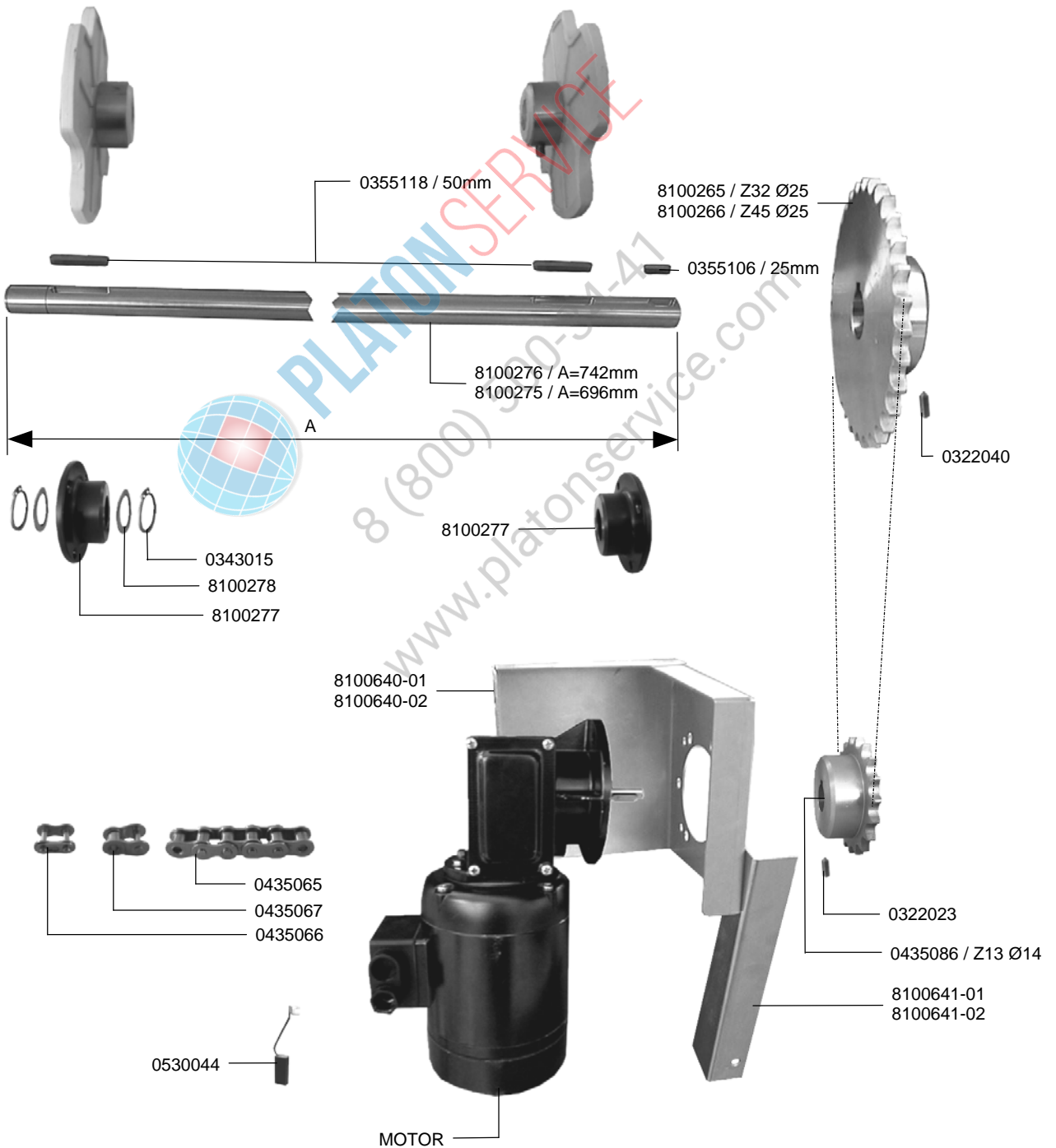
| IDENT.-NR. IDENT.-NO. | BEZEICHNUNG | DESIGNATION | DESIGNATION |
|--------------------------|-------------------------|-----------------------------|-------------------------------|
| * 0355118 | PASSFEDER 8X7X50 | FEATHER KEY 8X7X50 | RESSORT D' AJUSTAGE 8X7X50 |
| 8100265 | KETTENRAD Z45 Ø25 | CHAIN WHEEL Z45 Ø25 | ROUE DE CHAINE Z45 Ø25 |
| 8100266 | KETTENRAD Z32 Ø25 | CHAIN WHEEL Z32 Ø25 | ROUE DE CHAINE Z32 Ø25 |
| * 0355106 | PASSFEDER 8X7X25 | FEATHER KEY 8X7X25 | RESSORT D' AJUSTAGE 8X7X25 |
| 8100275 | ANTRIEBSWELLE A=696MM | DRIVE SHAFT A=696MM | ARBRE D' ENTRAINEMENT A=696MM |
| 8100276 | ANTRIEBSWELLE A=742MM | DRIVE SHAFT A=742MM | ARBRE D' ENTRAINEMENT A=742MM |
| 0322040 | GEWINDESTIFT M8X20 | SET SCREW M8X20 | VIS SANS TETE M8X20 |
| 0322023 | GEWINDESTIFT M6X12 | SET SCREW M6X12 | VIS SANS TETE M6X12 |
| 9533799 | KETTENRAD Z27 Ø20 | CHAIN WHEEL Z27 Ø20 | ROUE DE CHAINE Z27 Ø20 |
| 0435041 | KETTENRAD Z26 Ø20 | CHAIN WHEEL Z26 Ø20 | ROUE DE CHAINE Z26 Ø20 |
| 8100267 | KETTENRAD Z22 Ø20 | CHAIN WHEEL Z22 Ø20 | ROUE DE CHAINE Z22 Ø20 |
| 0435036 | KETTENRAD Z20 Ø20 | CHAIN WHEEL Z20 Ø20 | ROUE DE CHAINE Z20 Ø20 |
| 0435032 | KETTENRAD Z18 Ø20 | CHAIN WHEEL Z18 Ø20 | ROUE DE CHAINE Z18 Ø20 |
| 0435034 | KETTENRAD Z15 Ø20 | CHAIN WHEEL Z15 Ø20 | ROUE DE CHAINE Z15 Ø20 |
| 0435060 | KETTENRAD Z13 Ø20 | CHAIN WHEEL Z13 Ø20 | ROUE DE CHAINE Z13 Ø20 |
| 0302001 | SKT. SCHRAUBE M6X16 | HEXAGON NUT M6X16 | VIS A 6 PANS M6X16 |
| 8100641-01 | SPANNWINKEL L-R | TENSION ANGLE L-R | ANGLE DE TENSION L-R |
| 8100641-02 | SPANNWINKEL R-L | TENSION ANGLE R-L | ANGLE DE TENSION R-L |
| MOTOR | SIEHE ELEKTROSCHALTPLAN | SEE ELECTRIC WIRING DIAGRAM | VOIR SCHEMA ELECTRIQUE |
| 9535519 | MOTORWIPPE R-L | CONSOLE R-L | CONSOLE R-L |
| 9535518 | MOTORWIPPE L-R | CONSOLE L-R | CONSOLE L-R |
| 0341037 | FEDERRING 8 | SPRING RING 8 | RESSORT 8 |
| 0301008 | SKT. SCHRAUBE M8X15 | HEXAGON NUT M8X15 | VIS A 6 PANS M8X15 |
| 9533605 | MOTORWIPPE R-L | CONSOLE R-L | CONSOLE R-L |
| 9533548 | MOTORWIPPE L-R | CONSOLE L-R | CONSOLE L-R |
| 0341012 | FEDERRING 6 | SPRING RING 6 | RESSORT 6 |
| 8100640-02 | MOTORWIPPE R-L | CONSOLE R-L | CONSOLE R-L |
| 8100640-01 | MOTORWIPPE L-R | CONSOLE L-R | CONSOLE L-R |
| 0337003 | SKT. MUTTER M6 | HEXAGON NUT M6 | VIS A 6 PANS M6 |
| * 0435065 | ROLLENKETTE | DRIVE CHAIN | CHAINE A ROULEAU |
| * 0435067 | KETTENKROEPFGLIED | HALF MEMBER | ELEMENT DE CHAINE ONDULE |
| * 0435066 | KETTENSCHLUSSGLIED | CHAIN LOCK | ELEMENT FINAL DE CHAINE |
| 8100277 | LAGER | BUSHING | PALIER |
| 8100278 | SCHEIBE | DISK | DISQUE |
| 0343015 | SICHERUNGSRING | CIRCLIP | CIRCLIP |

15.3 BANDANTRIEB GLEICHSTROM



15.3 BELT DRIVE DIRECT CURRENT

15.3 ENTRAINEMENT DE CONVOYEUR COURANT CONTINU



15.3 BANDANTRIEB GLEICHSTROM



15.3 BELT DRIVE DIRECT CURRENT

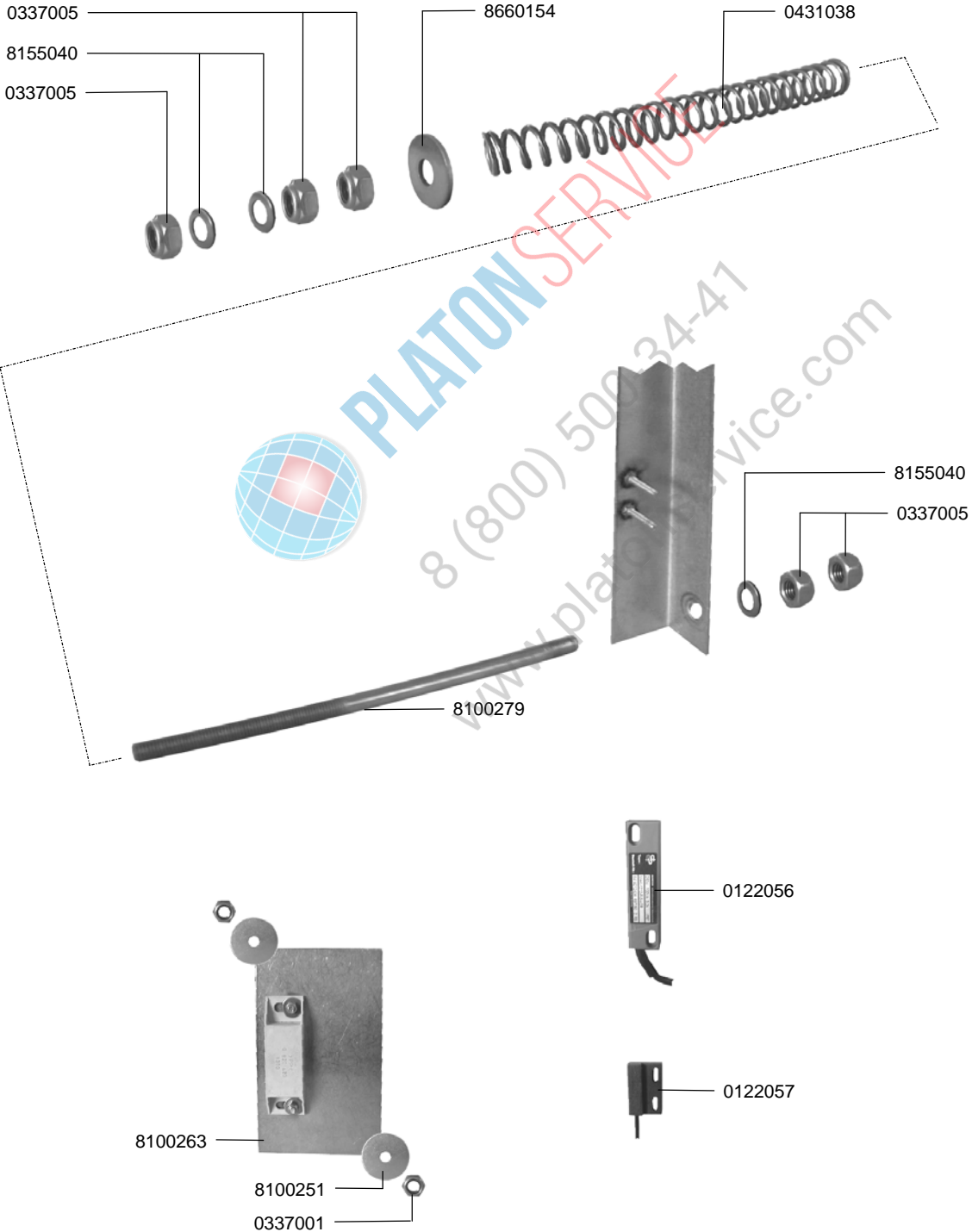
15.3 ENTRAINEMENT DE CONVOYEUR COURANT CONTINU

| IDENT.-NR. IDENT.-NO. | BEZEICHNUNG | DESIGNATION | DESIGNATION |
|--------------------------|-------------------------|-----------------------------|-------------------------------|
| * 0355118 | PASSFEDER 8X7X50 | FEATHER KEY 8X7X50 | RESSORT D' AJUSTAGE 8X7X50 |
| 8100265 | KETTENRAD Z45 | CHAIN WHEEL Z45 | ROUE DE CHAINE Z45 |
| 8100266 | KETTENRAD Z32 | CHAIN WHEEL Z32 | ROUE DE CHAINE Z32 |
| * 0355106 | PASSFEDER 8X7X25 | FEATHER KEY 8X7X25 | RESSORT D' AJUSTAGE 8X7X25 |
| 8100275 | ANTRIEBSWELLE A=696MM | DRIVE SHAFT A=696MM | ARBRE D' ENTRAINEMENT A=696MM |
| 8100276 | ANTRIEBSWELLE A=742MM | DRIVE SHAFT A=742MM | ARBRE D' ENTRAINEMENT A=742MM |
| 0322040 | GEWINDESTIFT M8X20 | SET SCREW M8X20 | VIS SANS TETE M8X20 |
| 0322023 | GEWINDESTIFT M6X12 | SET SCREW M6X12 | VIS SANS TETE M6X12 |
| 0435086 | KETTENRAD Z13 Ø14 | CHAIN WHEEL Z13 Ø14 | ROUE DE CHAINE Z13 Ø14 |
| 8100641-01 | SPANNWINKEL L-R | TENSION ANGLE L-R | ANGLE DE TENSION L-R |
| 8100641-02 | SPANNWINKEL R-L | TENSION ANGLE R-L | ANGLE DE TENSION R-L |
| MOTOR | SIEHE ELEKTROSCHALTPLAN | SEE ELECTRIC WIRING DIAGRAM | VOIR SCHEMA ELECTRIQUE |
| V 0530044 | KOHLLEN | CARBON | CHARBRON |
| * 0435066 | KETTENSCHLUSSGLIED | CHAIN LOCK | ELEMENT FINAL DE CHAINE |
| * 0435067 | KETTENKROEPFGLIED | HALF MEMBER | ELEMENT DE CHAINE ONDULE |
| * 0435065 | ROLLENKETTE | DRIVE CHAIN | CHAINE A ROULEAU |
| 8100640-02 | MOTORWIPPE R-L | CONSOLE R-L | CONSOLE R-L |
| 8100640-01 | MOTORWIPPE L-R | CONSOLE L-R | CONSOLE L-R |
| 8100277 | LAGER | BUSHING | PALIER |
| 8100278 | SCHEIBE | DISK | DISQUE |
| 0343015 | SICHERUNGSRING | CIRCLIP | CIRCLIP |

**15.4 KETTENSCHANNUNG DREHSTROM /
FREQUENZUMRICHTERBETRIEB**

**15.4 CHAIN TENSION 3-PHASE CURRENT/
FREQUENCY CONVERTER OPERATION**

**15.4 TENSION DE CHAINE A COURANT TRIPHASE/
OPERATION DU CONVERTEUR DE FREQUENCE**



15.4 KETTENSPEANUNG DREHSTROM / FREQUENZUMRICHTERBETRIEB



15.4 CHAIN TENSION 3-PHASE CURRENT/ FREQUENCY CONVERTER OPERATION

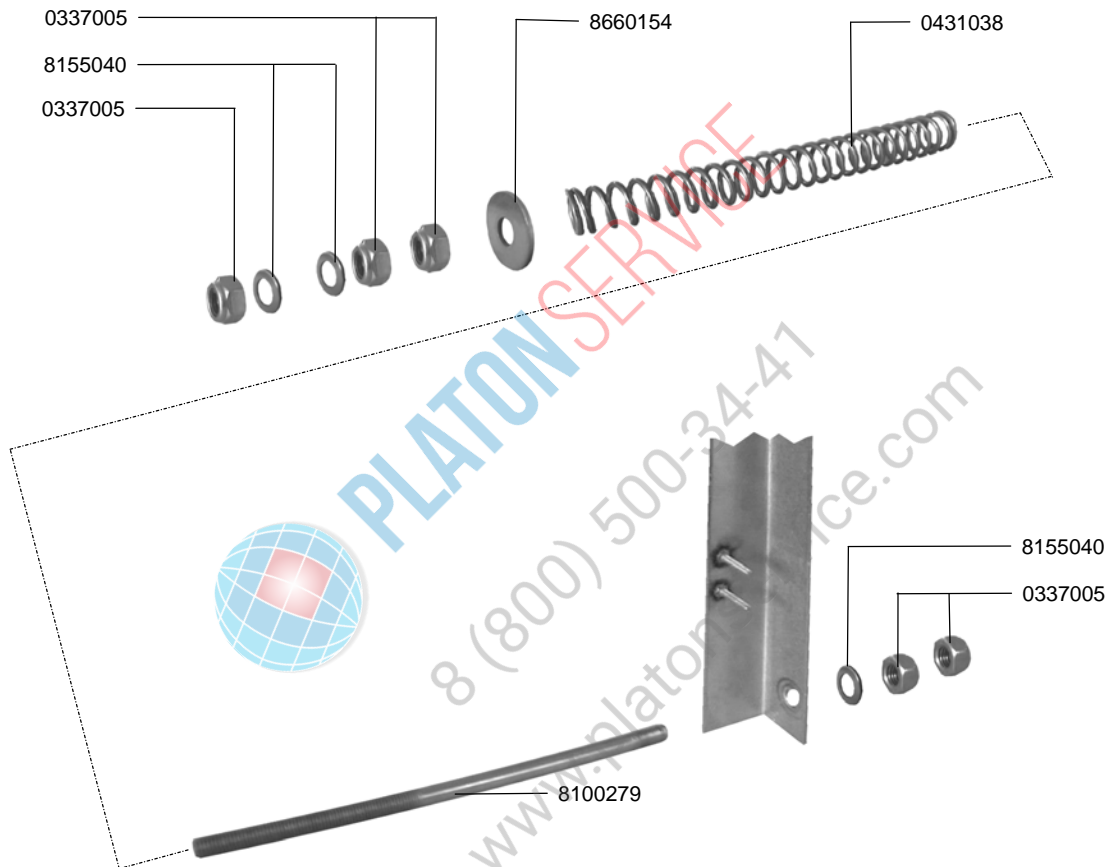
15.4 TENSION DE CHAINE A COURANT TRIPHASE/ OPERATION DU CONVERTEUR DE FREQUENCE

| IDENT.-NR. IDENT.-NO. | BEZEICHNUNG | DESIGNATION | DESIGNATION |
|--------------------------|------------------|--------------------|---------------------------|
| 8660154 | SCHEIBE | DISK | DISQUE |
| * 0431038 | DRUCKFEDER | PRESSURE SPRING | RESSORT DE PRESSION |
| 8155040 | SCHEIBE | DISK | DISQUE |
| 0337005 | SKT. MUTTER M8 | HEXAGON NUT M8 | ECROU A 6 PANS M8 |
| 8100279 | GEWINDESTANGE | THREADED ROD | TIGE FILETEE |
| * 0122056 | GRENZTASTER | LIMIT SWITCH | INTERRUPTEUR FINAL COURSE |
| * 0122057 | MAGNETSCHALTER | SOLENOID SWITCH | INTERRUPTEUR |
| 0337001 | SKT. MUTTER M5 | HEXAGON NUT M5 | ECROU A 6 PANS M5 |
| 8100251 | SCHEIBE | DISK | DISQUE |
| 8100263 | TRÄGERBLECH KPL. | HOLDING SHEET CPL. | TOLE A POUTRE CPL. |

15.5 KETTENSPIANNUNG GLEICHSTROM

15.5 CHAIN TENSION DIRECT CURRENT

15.5 TENSION DE CHAÎNE A COURANT CONTINU



| IDENT.-NR. IDENT.-NO. | BEZEICHUNG | DESIGNATION | DESIGNATION |
|--------------------------|------------|-------------|-------------|
|--------------------------|------------|-------------|-------------|

| | | | |
|-----------|----------------|-----------------|---------------------|
| 8660154 | SCHEIBE | DISK | DISQUE |
| * 0431038 | DRUCKFEDER | PRESSURE SPRING | RESSORT DE PRESSION |
| 8155040 | SCHEIBE | DISK | DISQUE |
| 0337005 | SKT. MUTTER M8 | HEXAGON NUT M8 | ECROU A 6 PANS M8 |
| 8100279 | GEWINDESTANGE | THREADED ROD | TIGE FILETEE |

15.6 BANDENDSCHALTER

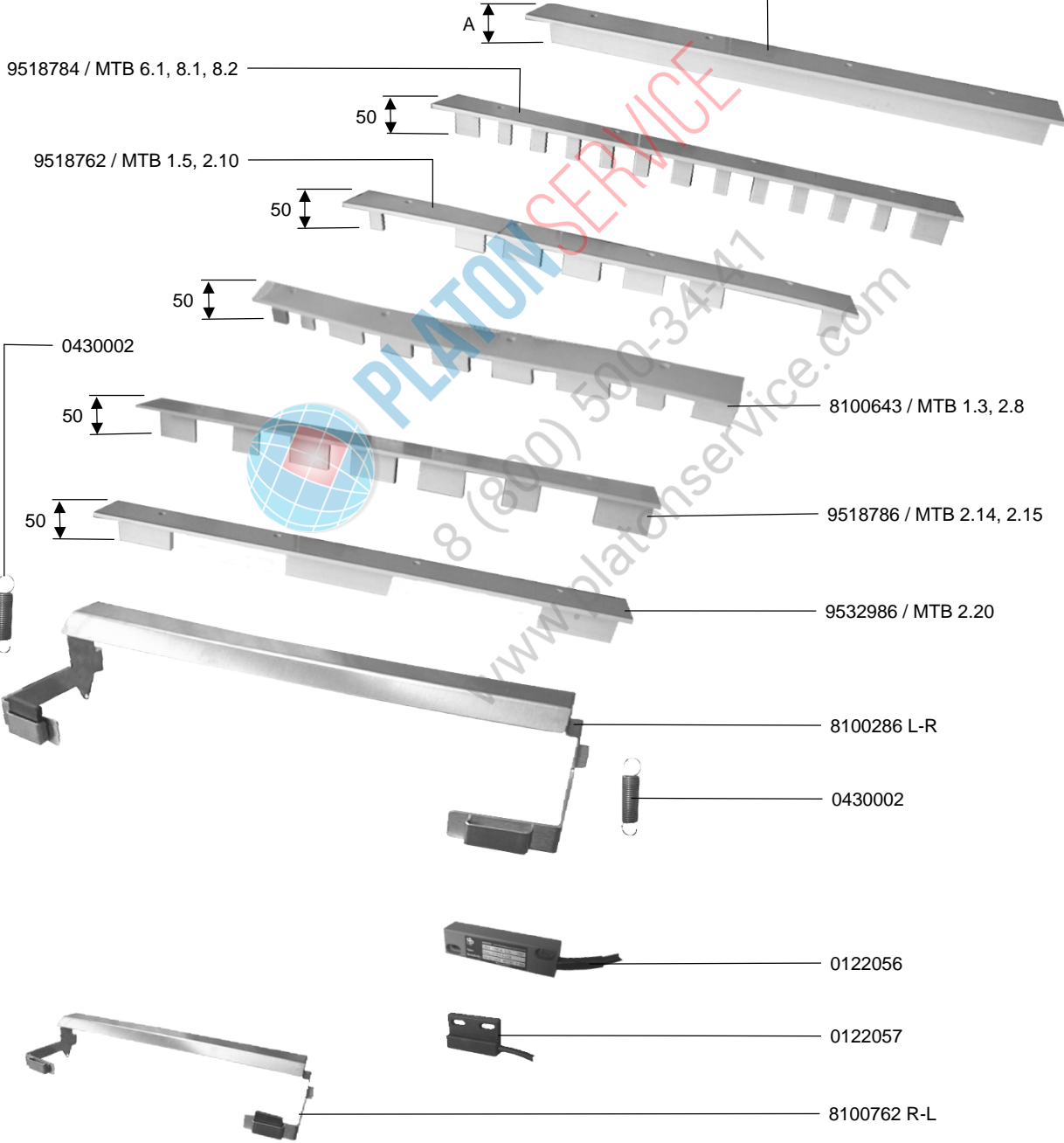
15.6 FINAL SWITCH FOR BELT

15.6 INTERRUPTEUR FINAL POUR CONVOYEUR

9518755 / A=15 MTB 1.2, 1.4, 2.2, 2.3, 2.4, 2.5, 2.6, 2.9, 7.2, 7.3, 7.4

8100268 / A=25 MTB 2.7, 2.11, 2.12, 2.13, 2.16, 2.17, 2.18, 2.19

9518759 / A=30 MTB 3.3, 3.4, 3.7



15.6 BANDENDSCHALTER



15.6 FINAL SWITCH FOR BELT

15.6 INTERRUPTEUR FINAL POUR CONVOYEUR

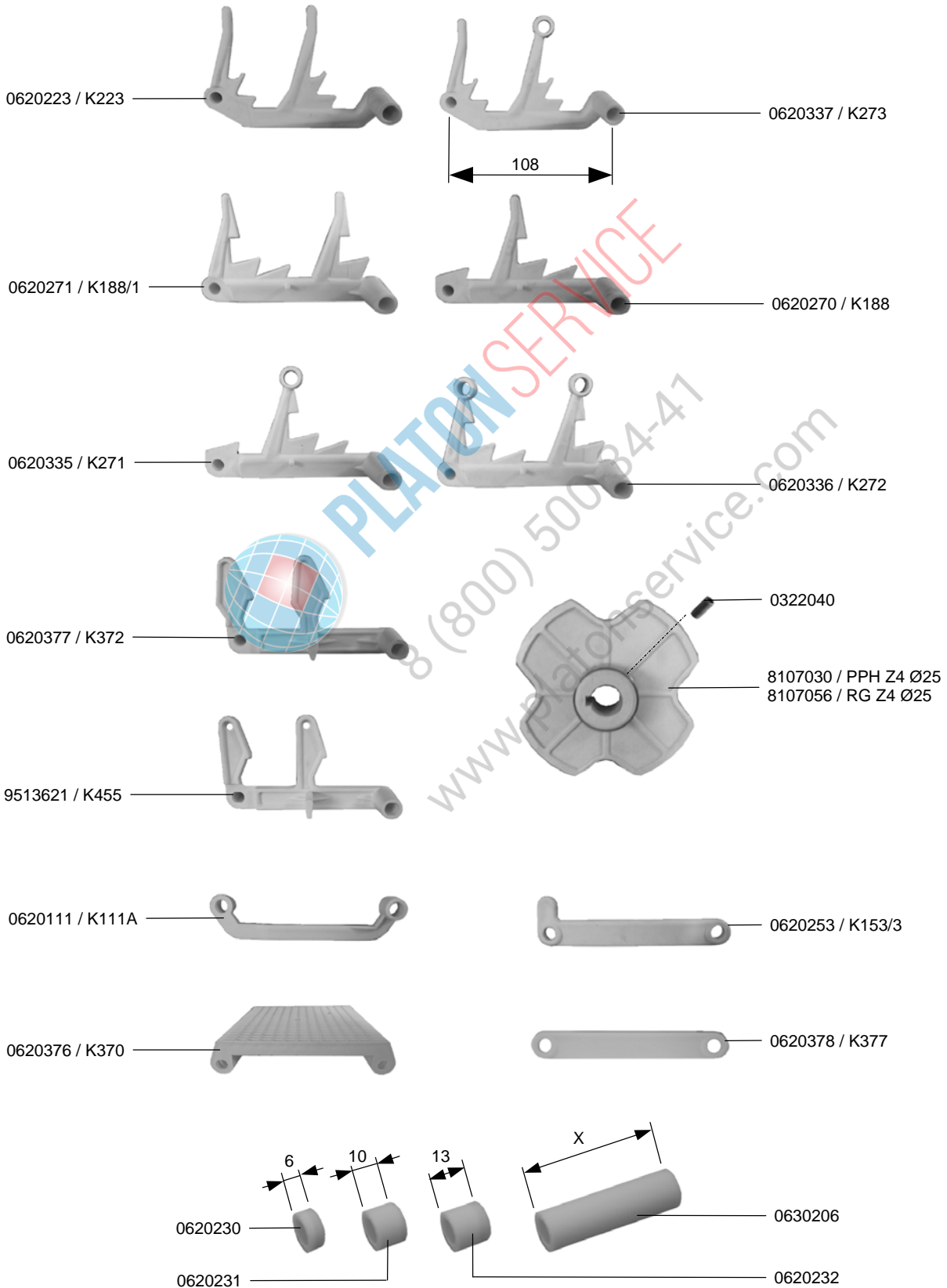
| IDENT.-NR. IDENT.-NO. | BEZEICHNUNG | DESIGNATION | DESIGNATION |
|--------------------------|--|---|--|
| 8100643 | WINKEL 50 BAND 1.3, 2.8 | ANGLE 50 BELT 1.3, 2.8 | ANGLE 50 BANDE 1.3, 2.8 |
| 9518786 | WINKEL 50 BAND 2.14, 2.15 | ANGLE 50 BELT 2.14, 2.15 | ANGLE 50 BANDE 2.14, 2.15 |
| 9532986 | WINKEL 50 BAND 2.20 | ANGLE 50 BELT 2.20 | ANGLE 50 BANDE 2.20 |
| 8100286 | ENDSCHALTERWIPPE KPL L-R | FINAL SWITCH ROCKER CPL. L-R | BASCULE D' INTERRUPTEUR FINAL CPL. L-R |
| * 0430002 | ZUGFEDER | TENSION SPRING | RESSORT DE TENSIONS |
| * 0122056 | GRENZTASTER | LIMIT SWITCH | INTERRUPTEUR FINAL COURSE |
| * 0122057 | MAGNETSCHALTER | SOLENOID SWITCH | INTERRUPTEUR |
| 8100762 | ENDSCHALTERWIPPE KPL R-L | FINAL SWITCH ROCKER CPL. R-L | BASCULE D' INTERRUPTEUR FINAL CPL. R-L |
| 9518762 | WINKEL 50 BAND 1.5, 2.10 | ANGLE 50 BELT 1.5, 2.10 | ANGLE 50 BANDE 1.5, 2.10 |
| 9518784 | WINKEL 50 BAND 6.1, 8.1, 8.2 | ANGLE 50 BELT 6.1, 8.1, 8.2 | ANGLE 50 BANDE 6.1, 8.1, 8.2 |
| 9518759 | WINKEL A=50 BAND 3.3, 3.4, 3.7 | ANGLE A=50 BELT 3.3, 3.4, 3.7 | ANGLE A=50 BANDE 3.3, 3.4, 3.7 |
| 8100268 | WINKEL A=25 BAND 2.7, 2.11, 2.12, 2.13, 2.16, 2.17, 2.18, 2.19 | ANGLE A=25 BELT 2.7, 2.11, 2.12, 2.13, 2.16, 2.17, 2.18, 2.19 | ANGLE A=25 BANDE 2.7, 2.11, 2.12, 2.13, 2.16, 2.17, 2.18, 2.19 |
| 9518755 | WINKEL A=15 BAND 1.2, 1.4, 2.2, 2.3, 2.4, 2.5, 2.6, 2.9, 7.2, 7.3, 7.4 | ANGLE A=15 BELT 1.2, 1.4, 2.2, 2.3, 2.4, 2.5, 2.6, 2.9, 7.2, 7.3, 7.4 | ANGLE A=15 BANDE 1.2, 1.4, 2.2, 2.3, 2.4, 2.5, 2.6, 2.9, 7.2, 7.3, 7.4 |

16.1 MASCHINENTRANSPORTBAND, TEILUNG 108MM



16.1 TRANSPORTCONVEYOR, DIVISION 108MM

16.1 CONVOYEUR DE TRANSPORT, DIVISION 108MM



16.1 MASCHINENTRANSPORTBAND, TEILUNG 108MM



16.1 TRANSPORTCONVEYOR, DIVISION 108MM

16.1 CONVOYEUR DE TRANSPORT, DIVISION 108MM

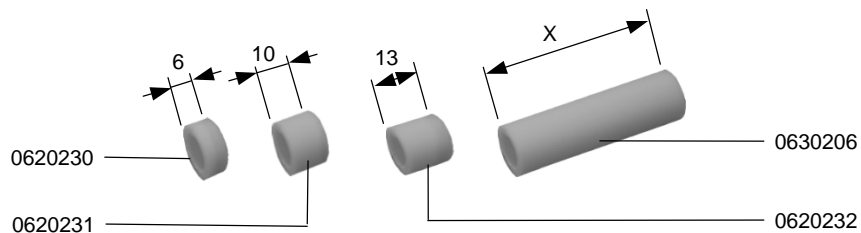
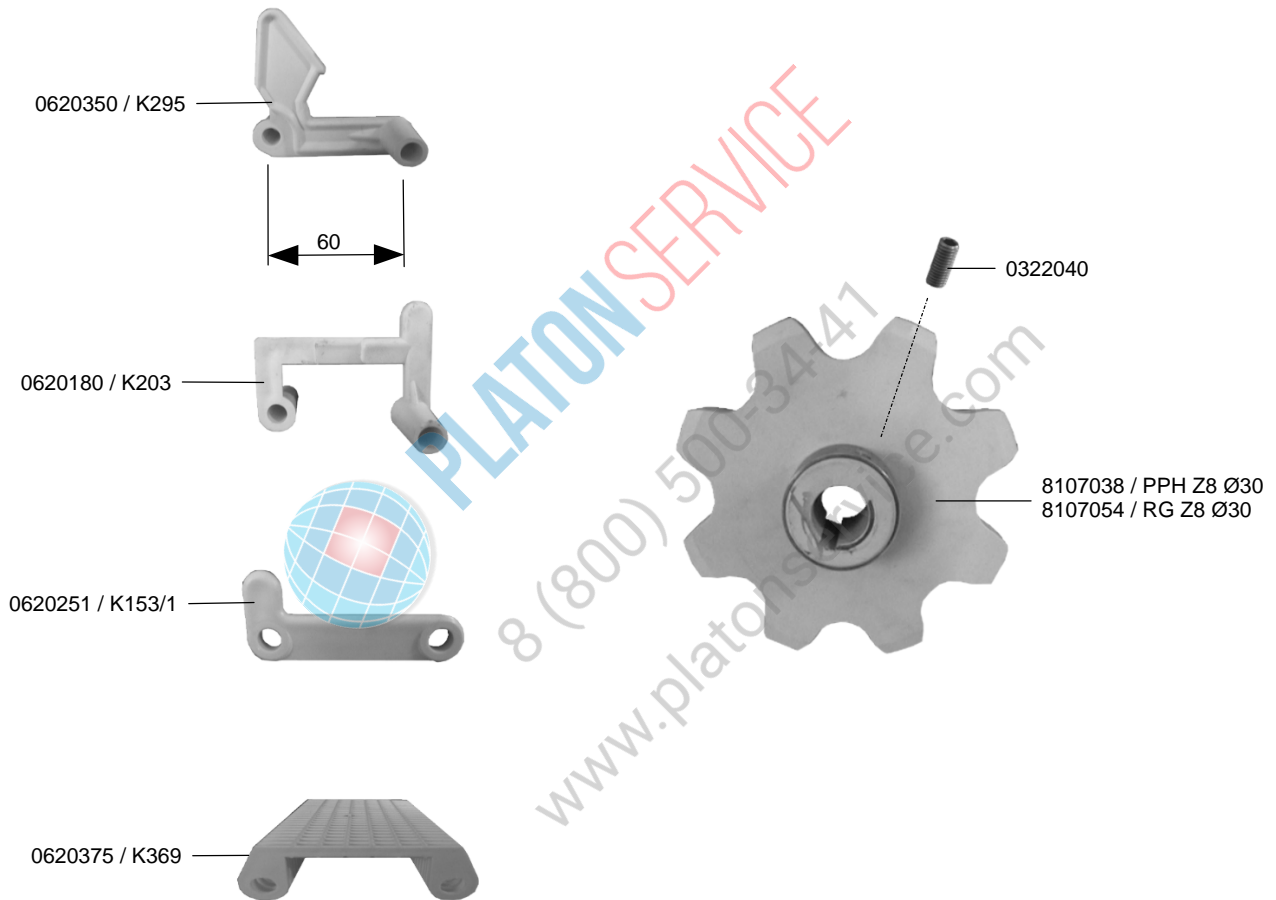
| IDENT.-NR. IDENT.-NO. | BEZEICHNUNG | DESIGNATION | DESIGNATION |
|--------------------------|-----------------------|----------------------------|-----------------------------|
| 0620337 | BANDFINGER K273 | BELT FINGER K273 | DOIGT DE BANDE K273 |
| 0620270 | BANDGLIED K188 | BELT FINGER K188 | DOIGT DE BANDE K188 |
| 0620336 | BANDFINGER K272 | BELT FINGER K272 | DOIGT DE BANDE K272 |
| 0322040 | GEWINDESTIFT M8X20 | SET SCREW M8X20 | VIS SANS TETE M8X20 |
| 8107030 | KETTENRAD PPH Z4 Ø25 | CHAIN WHEEL PPH Z4 Ø25 | ROUE DE CHAINE PPH Z4 Ø25 |
| 8107056 | KETTENRAD RG Z4 Ø25 | CHAIN WHEEL RG Z4 Ø25 | ROUE DE CHAINE RG Z4 Ø25 |
| 0620253 | MITNEHMER K153/3 | CARRIER K153/3 | DOIGT K153/3 |
| 0620378 | LASCHE K377 | PLATE K377 | MAILLON K377 |
| 0630206 | PP-ROHR | PP-TUBE | PP-TUYAU |
| 0620232 | DISTANZSTUECK K125/13 | INTERMEDIATE PIECE K125/13 | PIECE INTERMEDIAIRE K125/13 |
| 0620231 | DISTANZSTUECK K125/10 | INTERMEDIATE PIECE K125/10 | PIECE INTERMEDIAIRE K125/10 |
| 0620230 | DISTANZSTUECK K125/6 | INTERMEDIATE PIECE K125/6 | PIECE INTERMEDIAIRE K125/6 |
| 0620376 | BESTECKTEIL K370 | MEMBER K370 | MEMBRE K370 |
| 0620111 | ZWISCHENGLIED K111A | BELT FINGER K111A | DOIGT DE BANDE K111A |
| 9513621 | BANDFINGER K455 | BELT FINGER K455 | DOIGT DE BANDE K455 |
| 0620377 | BANDFINGER K372 | BELT FINGER K372 | DOIGT DE BANDE K372 |
| 0620335 | BANDFINGER K271 | BELT FINGER K271 | DOIGT DE BANDE K271 |
| 0620271 | BANDGLIED K188/1 | BELT FINGER K188/1 | DOIGT DE BANDE K188/1 |
| 0620223 | BANDFINGER K223 | BELT FINGER K223 | DOIGT DE BANDE K223 |

16.2 MASCHINENTRANSPORTBAND, TEILUNG 60MM



16.2 CONVEYOR BELT, DIVISION 60MM

16.2 CONVOYEUR DE TRANSPORT, DIVISION 60MM



16.2 MASCHINENTRANSPORTBAND, TEILUNG 60MM



16.2 CONVEYOR BELT, DIVISION 60MM

16.2 CONVOYEUR DE TRANSPORT, DIVISION 60MM

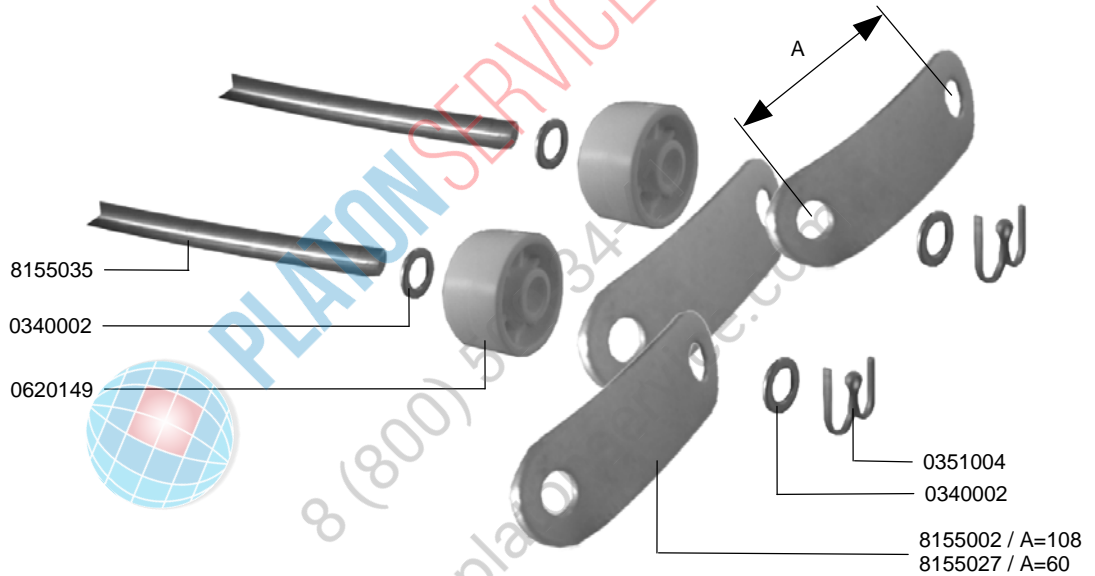
| IDENT.-NR. IDENT.-NO. | BEZEICHNUNG | DESIGNATION | DESIGNATION |
|--------------------------|-----------------------|----------------------------|-----------------------------|
| 0322040 | GEWINDESTIFT M8X20 | SET SCREW M8X20 | VIS SANS TETE M8X20 |
| 8107038 | KETTENRAD PPH Z8 Ø30 | CHAIN WHEEL PPH Z8 Ø30 | ROUE DE CHAINE PPH Z8 Ø30 |
| 8107054 | KETTENRAD RG Z8 Ø30 | CHAIN WHEEL RG Z8 Ø30 | ROUE DE CHAINE RG Z8 Ø30 |
| 0630206 | PP-ROHR | PP-TUBE | PP-TUYAU |
| 0620232 | DISTANZSTUECK K125/13 | INTERMEDIATE PIECE K125/13 | PIECE INTERMEDIAIRE K125/13 |
| 0620231 | DISTANZSTUECK K125/10 | INTERMEDIATE PIECE K125/10 | PIECE INTERMEDIAIRE K125/10 |
| 0620230 | DISTANZSTUECK K125/6 | INTERMEDIATE PIECE K125/6 | PIECE INTERMEDIAIRE K125/6 |
| V 0620375 | BESTECKTEIL K369 | MEMBER K369 | MEMBRE K369 |
| V 0620251 | MITNEHMER K153/1 | CARRIER K153/1 | DOIGT K153/1 |
| V 0620180 | BANDFINGER K203 | BELT FINGER K203 | DOIGT DE BANDE K203 |
| V 0620350 | KETTENGLIED K295 | MEMBER K295 | MEMBRE K295 |

16.3 MASCHINENTRANSPORTBAND



16.3 CONVEYOR BELT

16.3 CONVOYEUR DE TRANSPORT



| IDENT.-NR. IDENT.-NO. | BEZEICHNUNG | DESIGNATION | DESIGNATION |
|--------------------------|-------------|-------------|-------------|
|--------------------------|-------------|-------------|-------------|

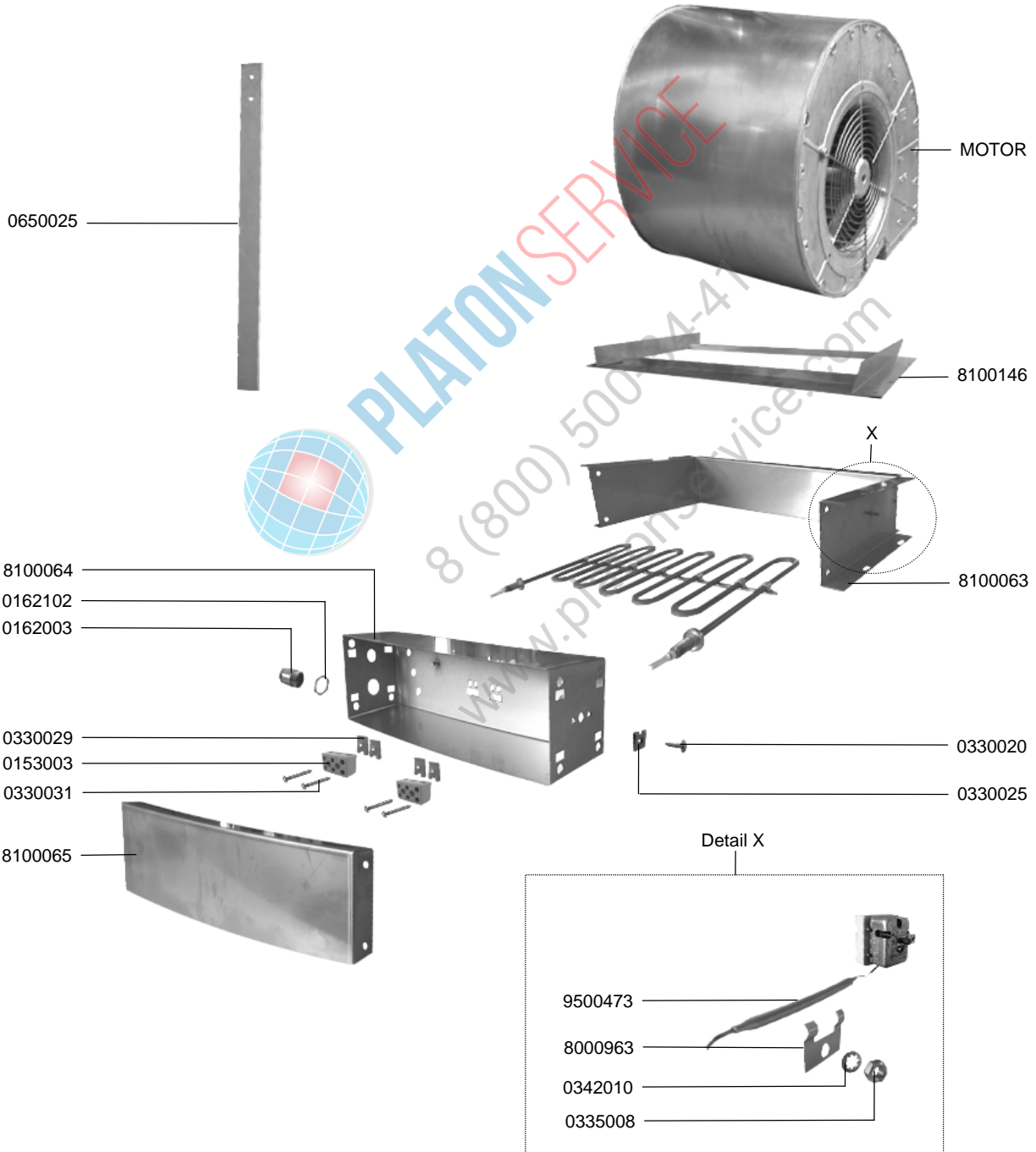
| | | | |
|-----------|-------------------|------------------|---------------------------|
| V 0351004 | SPLINT 2X20 | SPLIT 2X20 | GOUPILLE 2X20 |
| 0340002 | SCHEIBE | DISK | DISQUE |
| 8155002 | KETTENLASCHE T108 | CHAIN PLATE T108 | MAILLON DE CHAIN T108 |
| 8155027 | KETTENLASCHE T60 | CHAIN PLATE T60 | MAILLON DE CHAIN T60 |
| V 0620149 | LAUFROLLE | ROLLER | GALET |
| 8155035 | BANDSTANGE Ø8X610 | BELT ROD Ø8X610 | BARRE DE CONVOYEUR Ø8X610 |

17.1 TROCKNUNG



17.1 DRYING

17.1 SECHAGE



17.1 TROCKNUNG



17.1 DRYING

17.1 SECHAGE

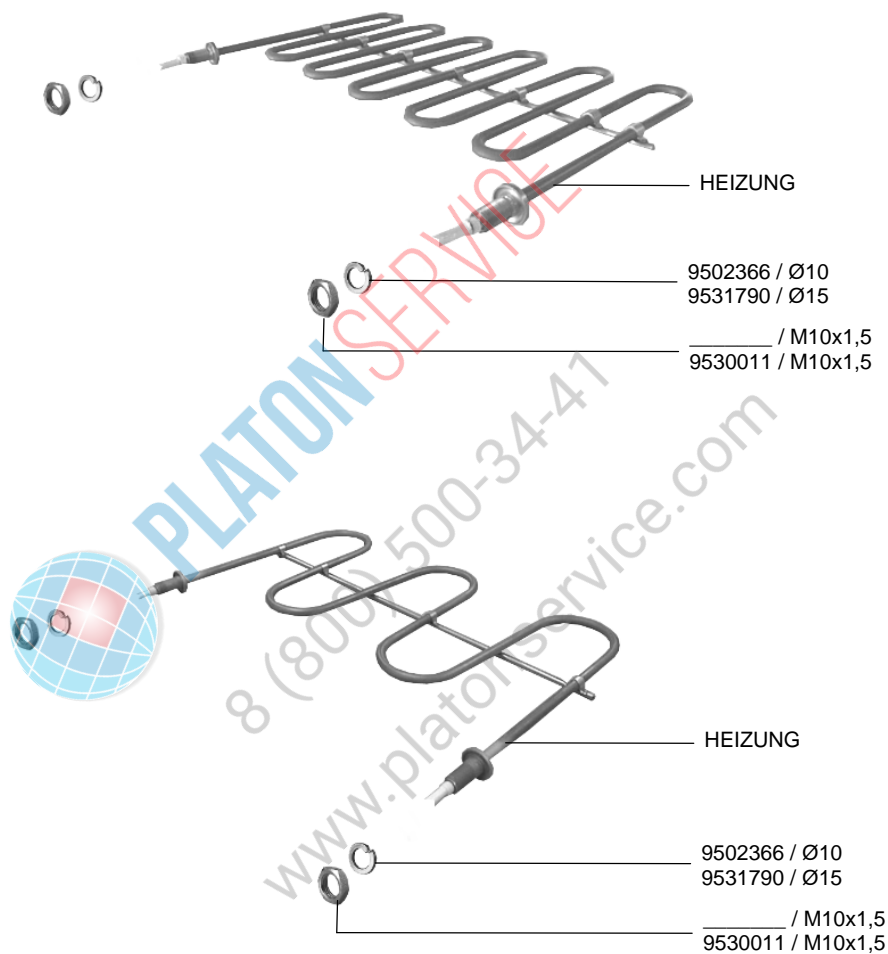
| IDENT.-NR. IDENT.-NO. | BEZEICHNUNG | DESIGNATION | DESIGNATION |
|--------------------------|--|------------------------------------|---|
| MOTOR | SIEHE ELEKTROSCHALTPLAN | SEE ELECTRIC DIAGRAM | VOIR SCHEMA ELECTRIQUE |
| 8100146 | RAHMEN FÜR GEBLÄSE,SCHW.T 1.4301 440X250X30 | FRAME FOR FAN 1.4301 440X250X30 | CADRE DE VENTILATEUR 1.4301 440X250X30 |
| 8100063 | MANTEL | CLADDING | HABILLAGE |
| 0330020 | SCHRAUBE 4,2X13 | SCREW 4,2X13 | VIS 4,2X13 |
| 0330025 | BLECHMUTTER | NUT | ECROU |
| * 9500473 | TEMPERATURFÜHLER | TEMPERATURE PROBE | SONDE DE TEMPERATURE |
| 8000963 | HALTER | FIXATION | FIXATION |
| 0342010 | ZAHNSCHEIBE | TOOTH LOCK WASHER | RONDELLE A FENTE |
| 0335008 | MUTTER M5 | NUT M5 | ECROU M5 |
| 8100065 | ABDECKBLECH | COVER | COUVERCLE |
| 0330031 | SCHRAUBE 2,9X22 | SCREW 2,9X22 | VIS 2,9X22 |
| 0153003 | ANSCHLUSSKLEMME | CONNECTING TERMINAL | BORNE |
| 0330029 | KLAMMER | CLAMP | BRIDE DE FIXATION |
| 0162003 | VERSCHRAUBUNG | SCREWING | VISSAGE |
| 0162102 | GEGENMUTTER | COUNTERNUT | CONTRE-ECROU |
| 8100064 | HEIZKÖRPERBLECH | HEATING REGISTER HOUSING | CAISSON DE RESISTANCE |
| 0650025 | GUMMI FÜR NIEDERHALTER | RUBBER FOR HOLDING DOWN DEVICE | CAOUTCHOUC POUR SUPPORT BAS |

17.2 HEIZKÖRPER, TROCKNUNG



17.2 HEATING ELEMENT, DRYING

17.2 RESISTANCE, SECHAGE



IDENT.-NR.
IDENT.-NO.

BEZEICHNUNG

DESIGNATION

DESIGNATION

| | | | |
|---------|-------------------------|-----------------------------|------------------------|
| HEIZUNG | SIEHE ELEKTROSCHALTPLAN | SEE ELECTRIC WIRING DIAGRAM | VOIR SHEMA ELECTRIQUE |
| 9502366 | FEDERRING Ø10 | SPRING RING | BAGUE DE RESSORT |
| 9531790 | SCHEIBE Ø15 | DISK | DISQUE |
| ----- | SKT. MUTTER M10X1,5 | HEXAGON NUT M10X1,5 | ECROU A 6 PANS M10X1,5 |
| 9530011 | SKT. MUTTER M14X1,5 | HEXAGON NUT M14X1,5 | ECROU A 6 PANS M14X1,5 |

17.3 TROCKNUNGSGEBLÄSE



17.3 DRYING FAN

17.3 VENTILATEUR DE SECHAGE



| IDENT.-NR. IDENT.-NO. | BEZEICHNUNG | DESIGNATION | DESIGNATION |
|--------------------------|-------------|-------------|-------------|
|--------------------------|-------------|-------------|-------------|

MOTOR

SIEHE ELEKTROSCHALTPLAN

SEE ELECTRIC DIAGRAM

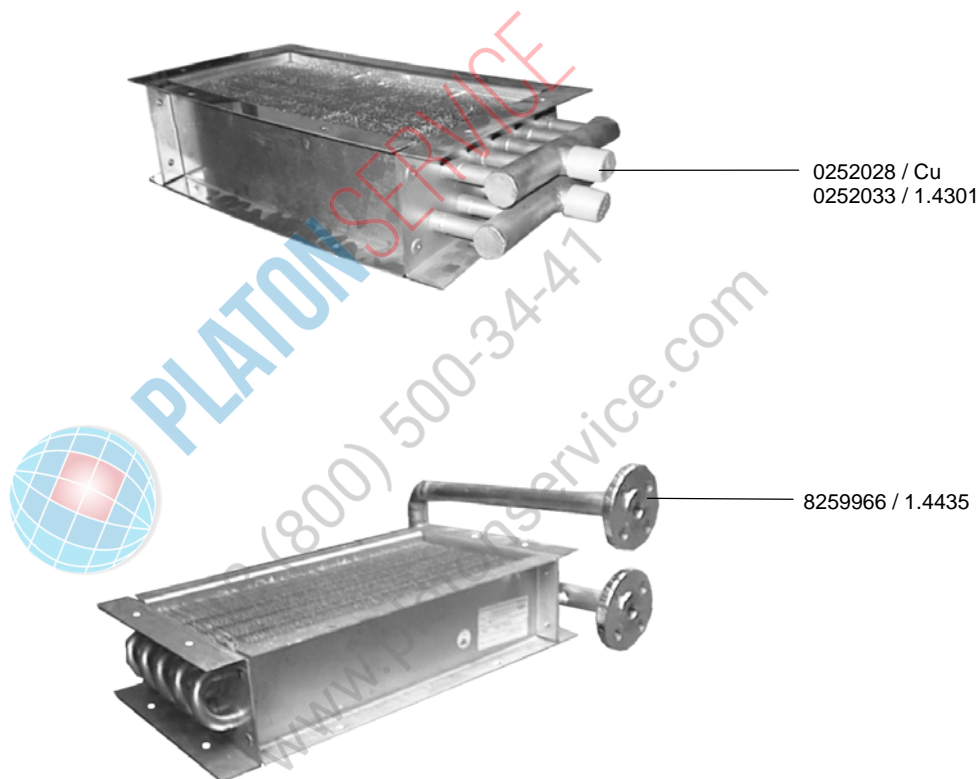
VOIR SCHEMA ELECTRIQUE

17.4 TROCKNUNGSHEIZREGISTER



17.4 DRYING HEATING REGISTER

17.4 REGISTRE DE CHAUFFAGE SECHAGE



IDENT.-NR.
IDENT.-NO.

BEZEICHNUNG

DESIGNATION

DESIGNATION

0252028

HEIZREGISTER CU

HEATING REGISTER CU

REGISTRE DE CHAUFFAGE CU

0252033

HEIZREGISTER 1.4301

HEATING REGISTER 1.4301

REGISTRE DE CHAUFFAGE 1.4301

8259966

LUFTERHITZER GEFLANSCHT
1.4435

HEATING REGISTER FLANGED
1.4435

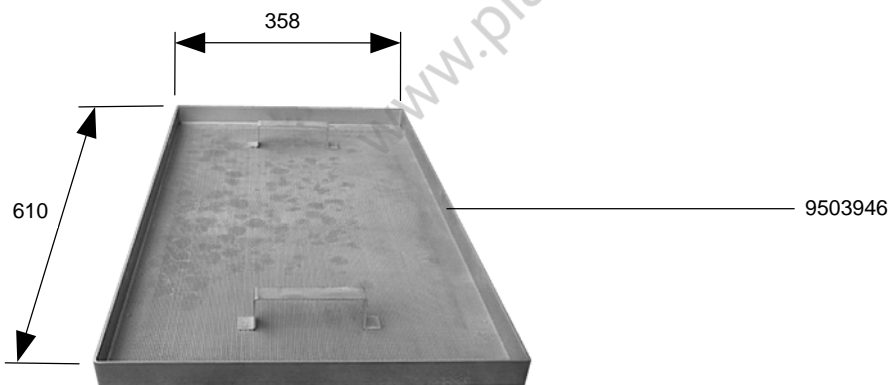
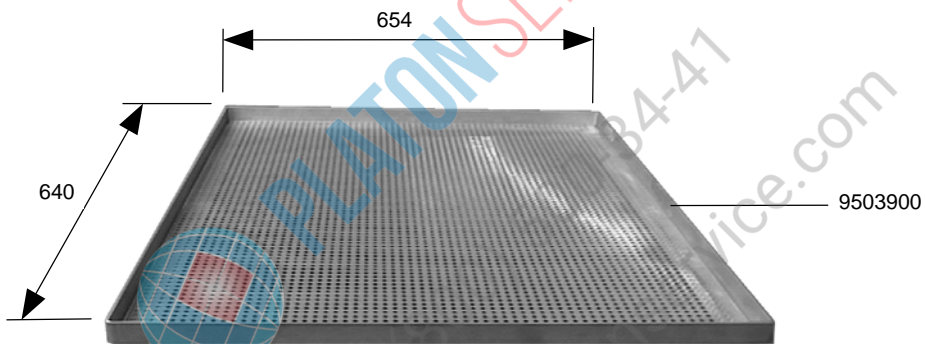
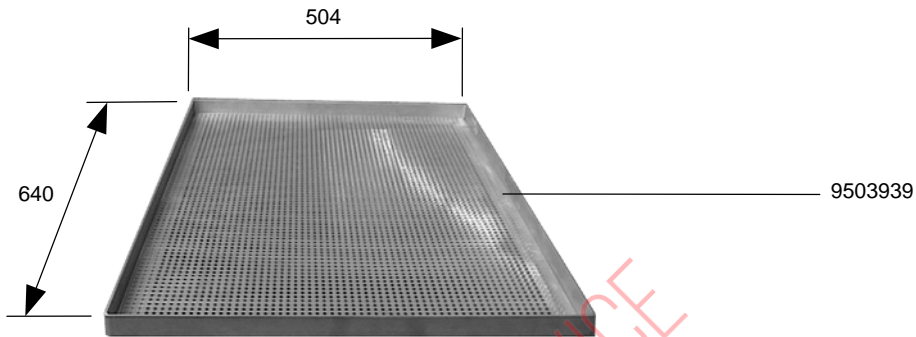
REGISTRE DE CHAUFFAGE BRIDE
1.4435

18.1 EINLAUFSIEBSYSTEM



18.1 INFEEED SIEVE SYSTEM

18.1 SYSTEME DE TAMIS D'ENTREE



IDENT.-NR.
IDENT.-NO.

BEZEICHNUNG

DESIGNATION

DESIGNATION

9503939

ABDECKSIEB GROB

COVERING SIEVE

TAMIS DE RECOUVREMENT

9503900

ABDECKSIEB GROB

COVERING SIEVE

TAMIS DE RECOUVREMENT

9503946

ABDECKSIEB FEIN

COVERING SIEVE

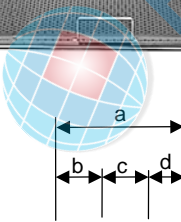
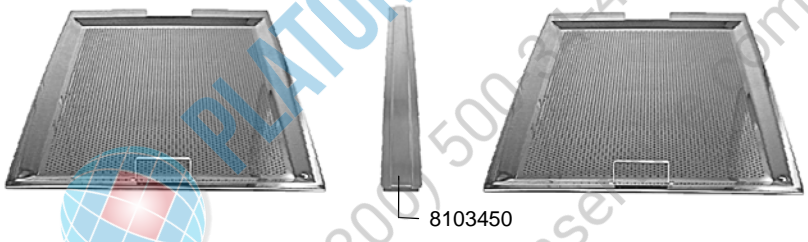
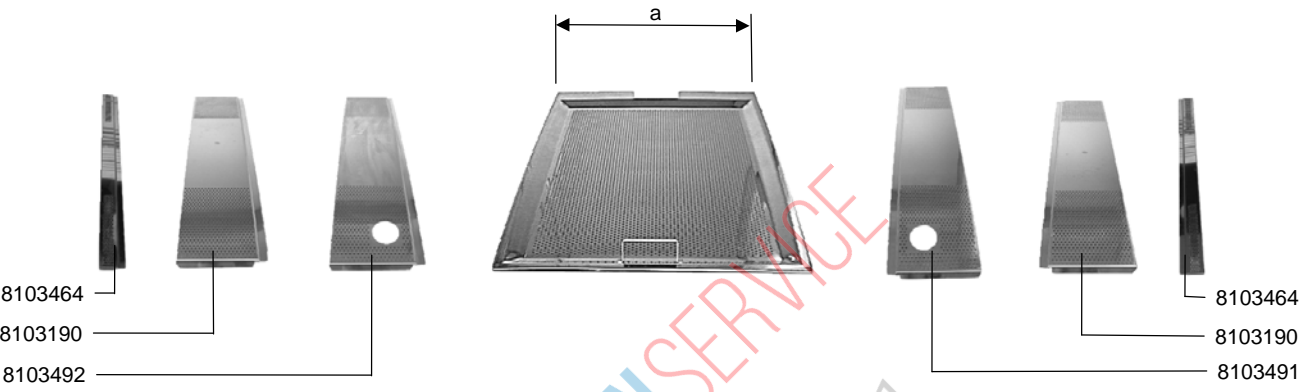
TAMIS DE RECOUVREMENT

18.2 TANKABDECKSIEBSYSTEM

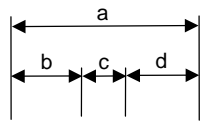
18.2 TANK COVERING SIEVE SYSTEM

18.2 SYSTEME DE TAMIS DE RECOUVREMENT

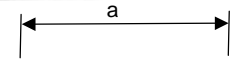
| Ident-Nr. | a |
|-----------|-------|
| 8103188 | 546,5 |



| Ident-Nr. | a | b | c | d |
|-----------|-------|--------|-----|--------|
| 8103459 | 364,5 | 132,25 | 118 | 114,25 |
| 8103460 | 364,5 | 114,25 | 118 | 132,25 |
| 8103448 | 364,5 | -- | -- | -- |



| Ident-Nr. | a | b | c | d |
|-----------|-------|--------|-----|--------|
| 8103186 | 546,5 | 214,25 | 118 | 214,25 |
| 8103420 | 364,5 | 14,25 | 118 | 232,25 |
| 8103446 | 364,5 | 232,25 | 118 | 14,25 |
| 8103465 | 364,5 | 64,25 | 118 | 182,25 |



| Ident-Nr. | a |
|-----------|-------|
| 8103193 | 431,5 |
| 8103463 | 249,5 |

18.2 TANKABDECKSIEBSYSTEM



18.2 TANK COVERING SIEVE SYSTEM

18.2 SYSTEME DE TAMIS DE RECOUVREMENT

| IDENT.-NR. IDENT.-NO. | BEZEICHNUNG | DESIGNATION | DESIGNATION |
|--------------------------|----------------------|---------------------|-------------------------|
| 8103188 | TANKABDECKSIEB | TANK COVERING SIEVE | TAMIS DE RECOVREMENT |
| 8103464 | SIEBAUFLAGE SEITLICH | SIEVE SUPPORT | SUPPORT DE TAMIS |
| 8103190 | SIEBAUFLAGE SEITLICH | SIEVE SUPPORT | SUPPORT DE TAMIS |
| 8103491 | SIEBAUFLAGE RECHTS | SIEVE SUPPORT RIGHT | SUPPORT DE TAMIS DROITE |
| 8103450 | SIEBAUFLAGE | SIEVE SUPPORT | SUPPORT DE TAMIS |
| 8103459 | TANKABDECKSIEB | TANK COVERING SIEVE | TAMIS DE RECOVREMENT |
| 8103460 | TANKABDECKSIEB | TANK COVERING SIEVE | TAMIS DE RECOVREMENT |
| 8103448 | TANKABDECKSIEB | TANK COVERING SIEVE | TAMIS DE RECOVREMENT |
| 8103186 | TANKABDECKSIEB | TANK COVERING SIEVE | TAMIS DE RECOVREMENT |
| 8103420 | TANKABDECKSIEB | TANK COVERING SIEVE | TAMIS DE RECOVREMENT |
| 8103446 | TANKABDECKSIEB | TANK COVERING SIEVE | TAMIS DE RECOVREMENT |
| 8103465 | TANKABDECKSIEB | TANK COVERING SIEVE | TAMIS DE RECOVREMENT |
| 8103193 | TANKABDECKSIEB | TANK COVERING SIEVE | TAMIS DE RECOVREMENT |
| 8103463 | TANKABDECKSIEB | TANK COVERING SIEVE | TAMIS DE RECOVREMENT |
| 8103492 | SIEBAUFLAGE LINKS | SIEVE SUPPORT LEFT | SUPPORT DE TAMIS GAUCHE |

20.1 TANK EXTERNE THERMOSTATREGELUNG



20.1 EXTERNAL TANK THERMOSTAT REGULATION

20.1 REGULATION DE THERMOSTAT EXTERNE DE BAC



| IDENT.-NR. | BEZEICHNUNG | DESIGNATION | DESIGNATION |
|------------|-------------|-------------|-------------|
| IDENT.-NO. | | | |

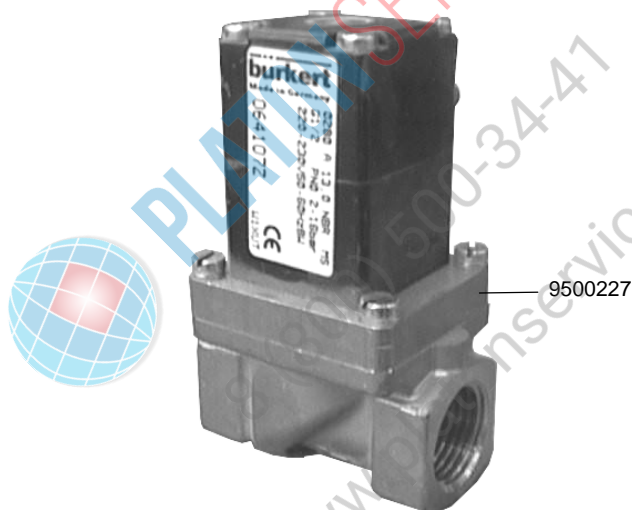
| | | | |
|-----------|---------------------|-------------------|----------------------|
| * 0108041 | TEMPERATURFÜHLER | TEMPERATURE PROBE | SONDE DE TEMPERATURE |
| 0108024 | LEITFÄHIGKEITSPASTE | CONDUCTIVE PASTE | PATE DE CONDUCTION |
| 8000963 | HALTER | FIXATION | FIXATION |
| 0340001 | SCHEIBE | DISK | DISQUE |
| 0337001 | SKT. MUTTER M5 | HEXAGON NUT M5 | ECROU A 6 PANS M5 |

20.2 MAGNETVENTIL



20.2 SOLENOID VALVE

20.2 ELECTROVANNE



9500227

IDENT.-NR.
IDENT.-NO.

BEZEICHNUNG

DESIGNATION

DESIGNATION

9500227

MAGNETVENTIL G ½"

SOLENOID VALVE G ½"

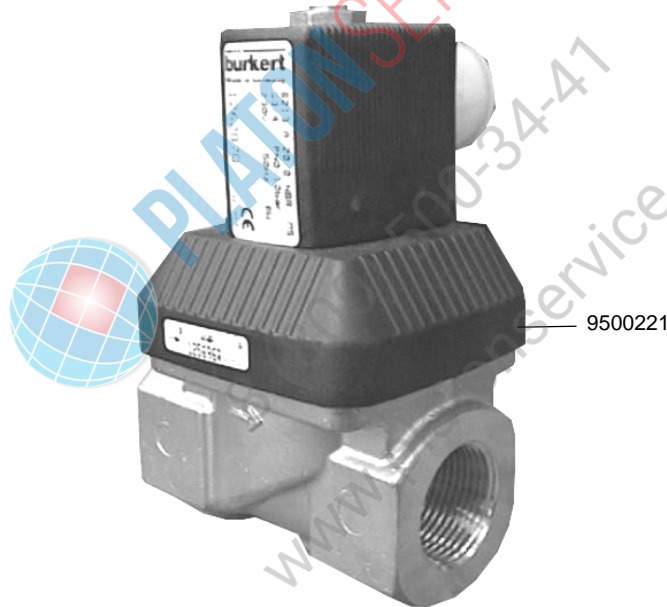
ELECTROVANNE G ½"

20.3 MAGNETVENTIL



20.3 SOLENOID VALVE

20.3 ELECTROVANNE



IDENT.-NR. BEZEICHNUNG
IDENT.-NO.

DESIGNATION

DESIGNATION

9500221

MAGNETVENTIL G 3/4" L=80 MM

SOLENOID VALVE G 3/4" L=80 MM

ELECTROVANNE G 3/4" L=80 MM

20.4 MAGNETVENTIL



20.4 SOLENOID VALVE

20.4 ELECTROVANNE



IDENT.-NR.
IDENT.-NO.

BEZEICHNUNG

DESIGNATION

DESIGNATION

0113312

MAGNETVENTIL G ½"

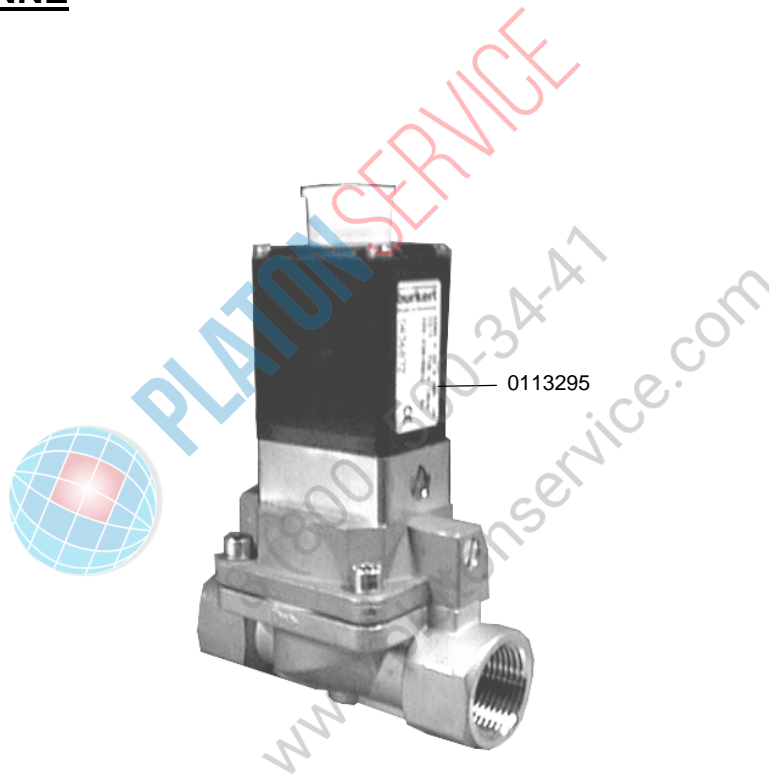
SOLENOID VALVE G ½"

ELECTROVANNE G ½"

20.5 MAGNETVENTIL

20.5 SOLENOID VALVE

20.5 ELECTROVANNE



| IDENT.-NR. | BEZEICHNUNG | DESIGNATION | DESIGNATION |
|------------|-------------|-------------|-------------|
| IDENT.-NO. | | | |

0113295

MAGNETVENTIL G 3/4"

SOLENOID VALVE G 3/4"

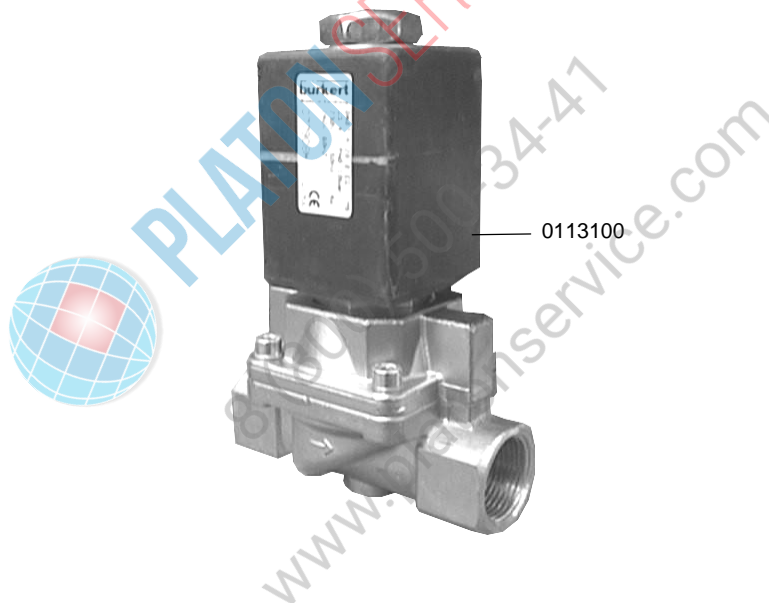
ELECTROVANNE G 3/4"

20.6 MAGNETVENTIL



20.6 SOLENOID VALVE

20.6 ELECTROVANNE



| IDENT.-NR. IDENT.-NO. | BEZEICHNUNG | DESIGNATION | DESIGNATION |
|--------------------------|-------------|-------------|-------------|
|--------------------------|-------------|-------------|-------------|

0113100

MAGNETVENTIL G 3/4"

SOLENOID VALVE G 3/4"

ELECTROVANNE G 3/4"

20.7 MAGNETVENTIL



20.7 SOLENOID VALVE

20.7 ELECTROVANNE



IDENT.-NR.
IDENT.-NO.

BEZEICHNUNG

DESIGNATION

DESIGNATION

0113101

MAGNETVENTIL G 1"

SOLENOID VALVE G 1"

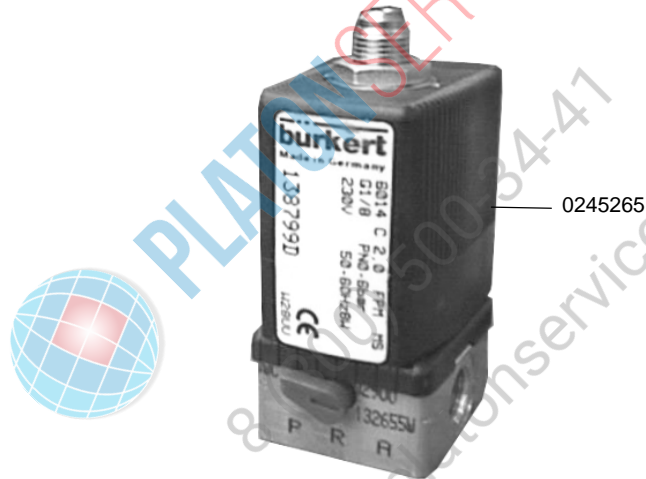
ELECTROVANNE G 1"

20.8 VORSTEUERVENTIL



20.8 PILOT VALVE

20.8 VANNE DE PILOTE



IDENT.-NR. BEZEICHNUNG
IDENT.-NO.

DESIGNATION

DESIGNATION

0245265

VORSTEUERVENTIL

PILOT VALVE

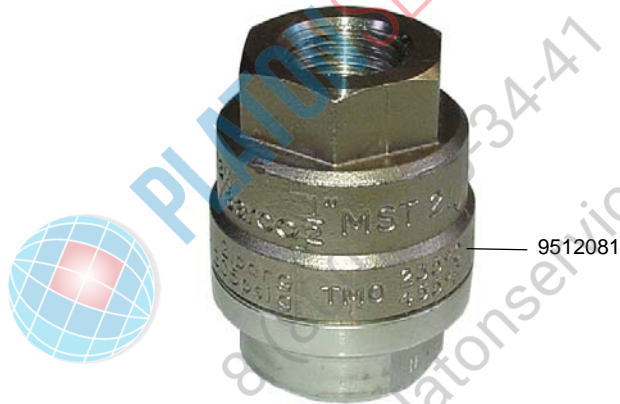
VANNE DE PILOT

20.9 KONDENSATABLEITER



20.9 STEAM TRAP

20.9 SEPARATEUR DE VAPEUR



IDENT.-NR.

BEZEICHNUNG

DESIGNATION

DESIGNATION

IDENT.-NO.

9512081

KONDENSATABLEITER

STEAM TRAP

SEPARATEUR DE VAPEUR

20.10 KONDENSATABLEITER



20.10 STEAM TRAP

20.10 SEPARATEUR DE VAPEUR



9520449

| IDENT.-NR. IDENT.-NO. | BEZEICHNUNG | DESIGNATION | DESIGNATION |
|--------------------------|-------------|-------------|-------------|
|--------------------------|-------------|-------------|-------------|

9520449

KONDENSATABLEITER

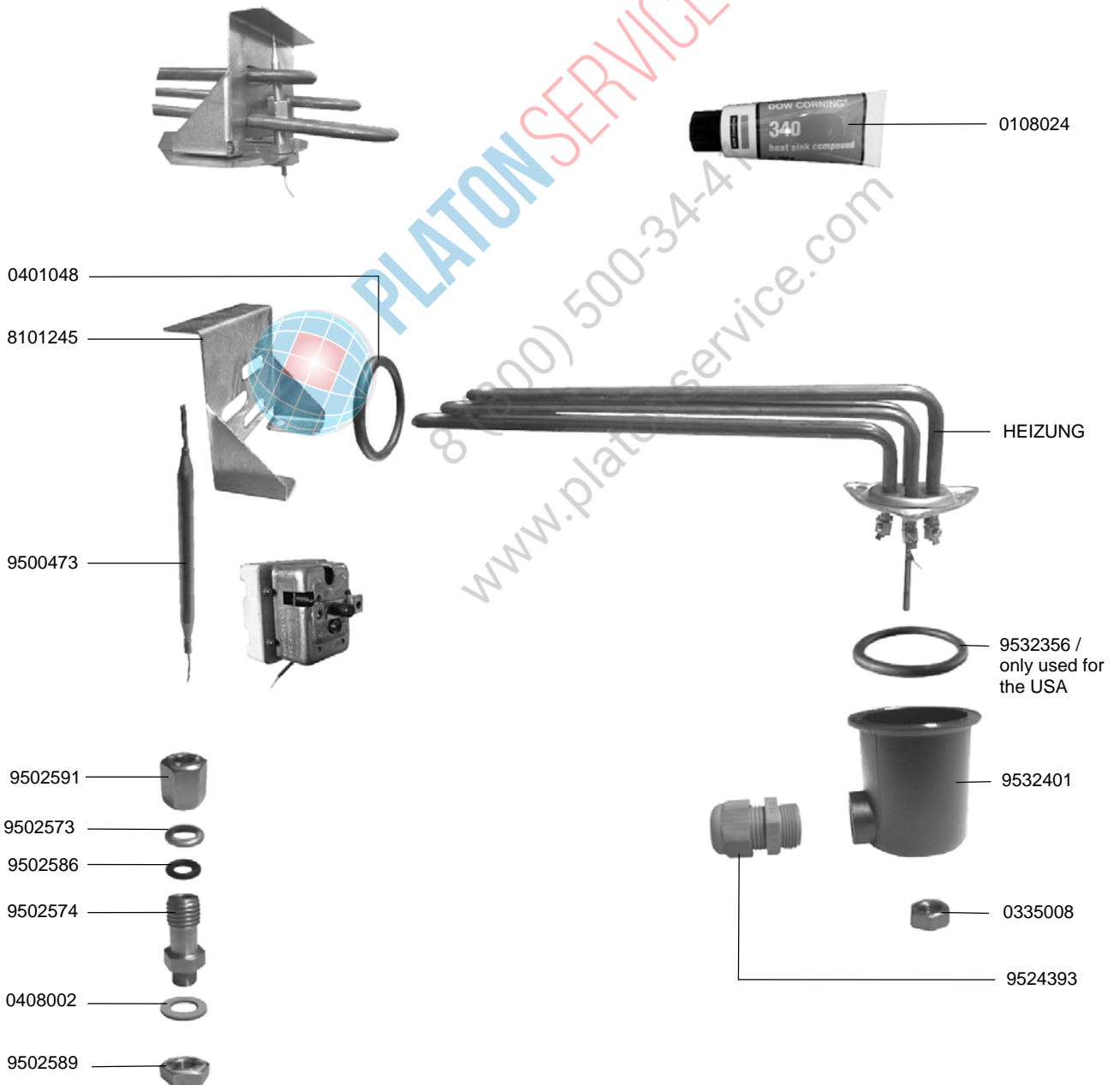
STEAM TRAP

SEPARATEUR DE VAPEUR

21.1 TANKHEIZUNG, ELEKTRISCH

21.1 TANK HEATING ELEMENT, ELECTRICAL

21.1 RESISTANCE DU BAC, ELECTRIQUE



21.1 TANKHEIZUNG, ELEKTRISCH



21.1 TANK HEATING ELEMENT, ELECTRICAL

21.1 RESISTANCE DU BAC, ELECTRIQUE

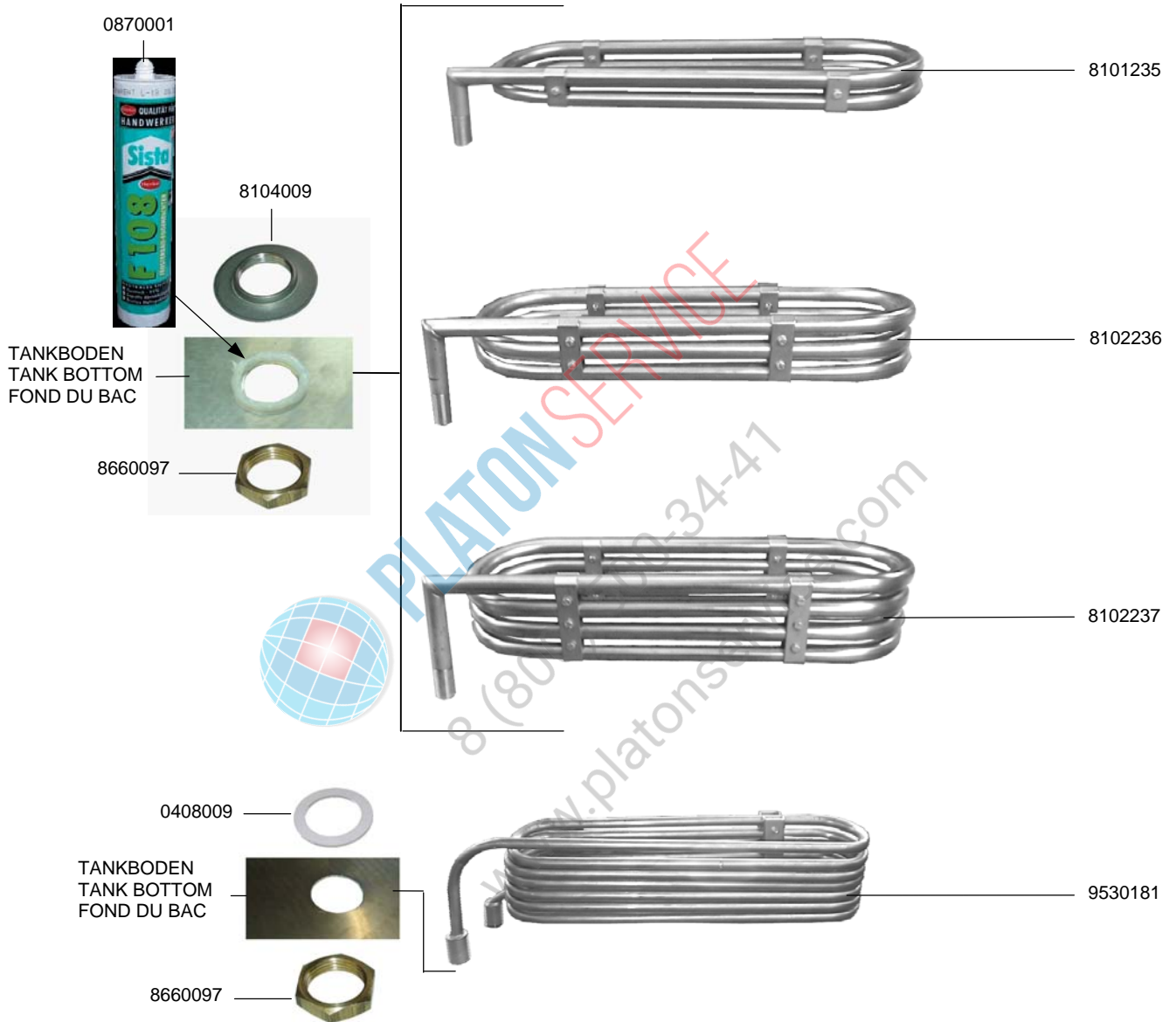
| IDENT.-NR. IDENT.-NO. | BEZEICHNUNG | DESIGNATION | DESIGNATION |
|--------------------------|-------------------------|-----------------------------|-----------------------------------|
| 0108024 | LEITFÄHIGKEITSPASTE | CONDUCTIVE PASTE | PATE DE CONDUCTION |
| HEIZUNG | SIEHE ELEKTROSCHALTPLAN | SEE ELECTRIC WIRING DIAGRAM | VOIR SCHEMA ELECTRIQUE |
| 9532356 | O-RING | O-RING | BAGUE |
| 9532401 | HEIZSTABABDECKUNG | HEATING ELEMENT COVERED | ELEMENT DE CHAUFFAGE RECOUVERT |
| 0335008 | SKT.MUTTER M5 | HEXAGON NUT M5 | ECROU A 6 PANS M5 |
| 9524393 | VERSCHRAUBUNG | SCREWING | VISSAGE |
| 9502589 | SKT.MUTTER 1/8" | HEXAGON NUT 1/8" | ECROU A 6 PANS 1/8" |
| 0408002 | DICHTUNG | PACKING | JOINT |
| 9502574 | VERSCHRAUBUNG | SCREWING | VISSAGE |
| * 9502586 | O-RING | O-RING | BAGUE |
| 9502573 | SCHEIBE | DISK | DISQUE |
| 9502591 | ÜBERWURFMUTTER M12 | SLEEVE NUT M12 | ECROU RACCORD M12 |
| * 9500473 | TEMPERATURFÜHLER | TEMPERATURE PROBE | SONDE DE TEMPERATURE |
| 8101245 | BEFESTIGUNG | FIXATION | FIXATION |
| * 0401048 | O-RING | O-RING | BAGUE |

21.2.1 TANKHEIZUNG DAMPF, PHW GESCHRAUBT



21.2.1 TANK HEATING STEAM, PUMP HOT WATER SCREWED

21.2.1 RESISTANCE DU BAC VAPEUR, EAU CHAUDE A POMPE VISEE



IDENT.-NR.
IDENT.-NO.

BEZEICHNUNG

DESIGNATION

DESIGNATION

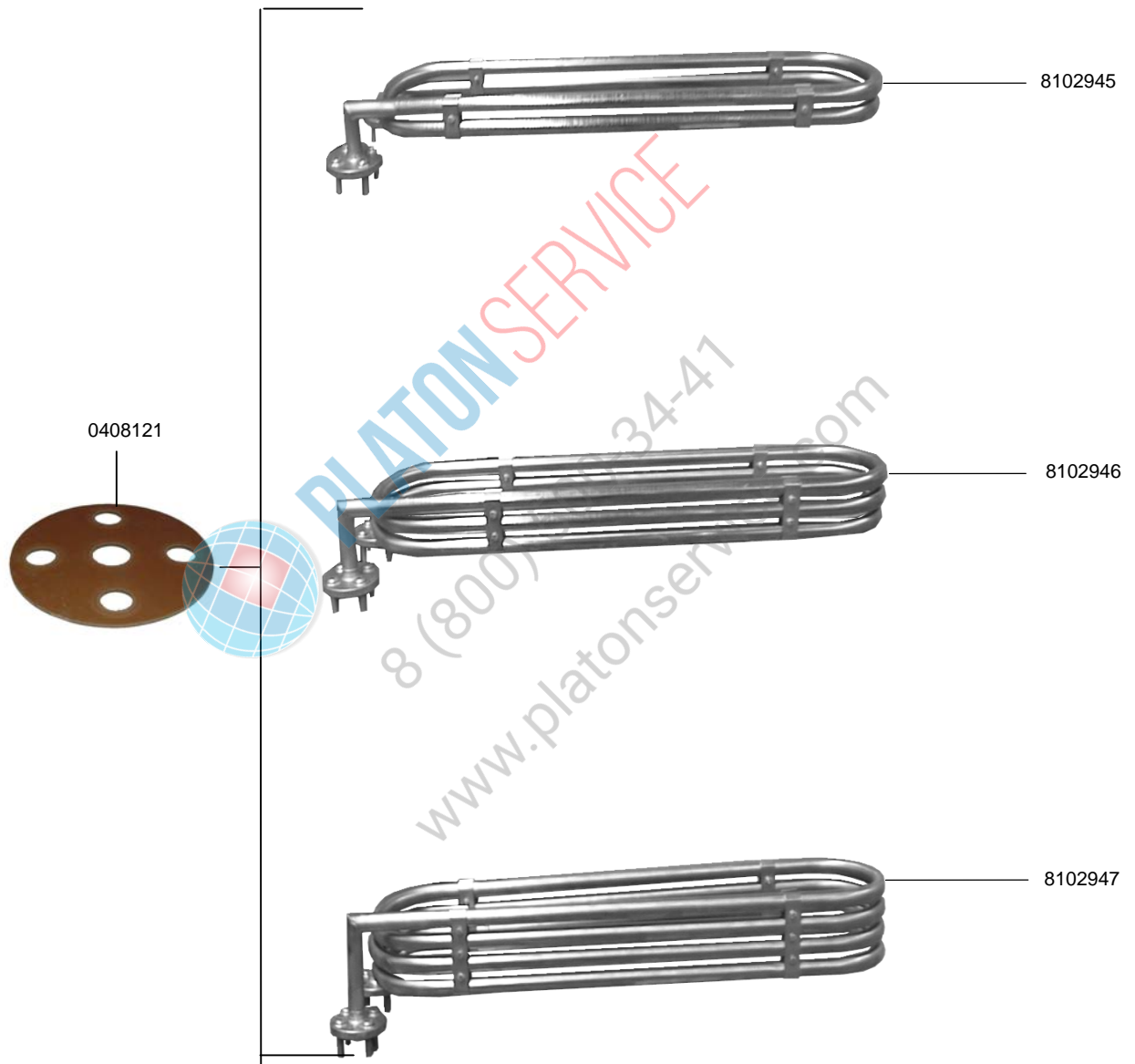
| | | | |
|---------|----------------------|-----------------------------|-----------------------------|
| 8101235 | HEIZSCHLANGE 2 WD. | HEAT COIL WITH 2 BENDS | SERP. DE CHAUFFAGE 2 TOURS |
| 8102236 | HEIZSCHLANGE 3 WD. | HEAT COIL WITH 3 BENDS | SERP. DE CHAUFFAGE 3 TOURS |
| 8102237 | HEIZSCHLANGE 4 WD. | HEAT COIL WITH 4 BENDS | SERP. DE CHAUFFAGE 4 TOURS |
| 9530181 | HEIZSCHLANGE 7 WD. | HEAT COIL WITH 7 BENDS | SERP. DE CHAUFFAGE 7 TOURS |
| 8104009 | MUTTER, BLECH G ¾" | THIN NUT FOR BORE-HOLE G ¾" | PERCAGE ENTRE LES BACS G ¾" |
| 8660097 | SECHSKANTMUTTER R ¾" | HEXAGON NUT R ¾" | ECROU A SIX PANS R ¾" |
| 0408009 | FLACHDICHTUNG | FLAT SEAL | GARNITURE PLATE |
| 0870001 | SISTA F 108 | SISTA F 108 | SISTA F 108 |

21.3 TANKHEIZUNG DAMPF, PHW GEFLANSCHT



21.3 TANK HEATING STEAM, PUMP HOT WATER FLANGED

21.3 RESISTANCE DU BAC VAPEUR, EAU CHAUDE A POMPE BRIDEE



| IDENT.-NR. IDENT.-NO. | BEZEICHUNG | DESIGNATION | DESIGNATION |
|--------------------------|------------|-------------|-------------|
|--------------------------|------------|-------------|-------------|

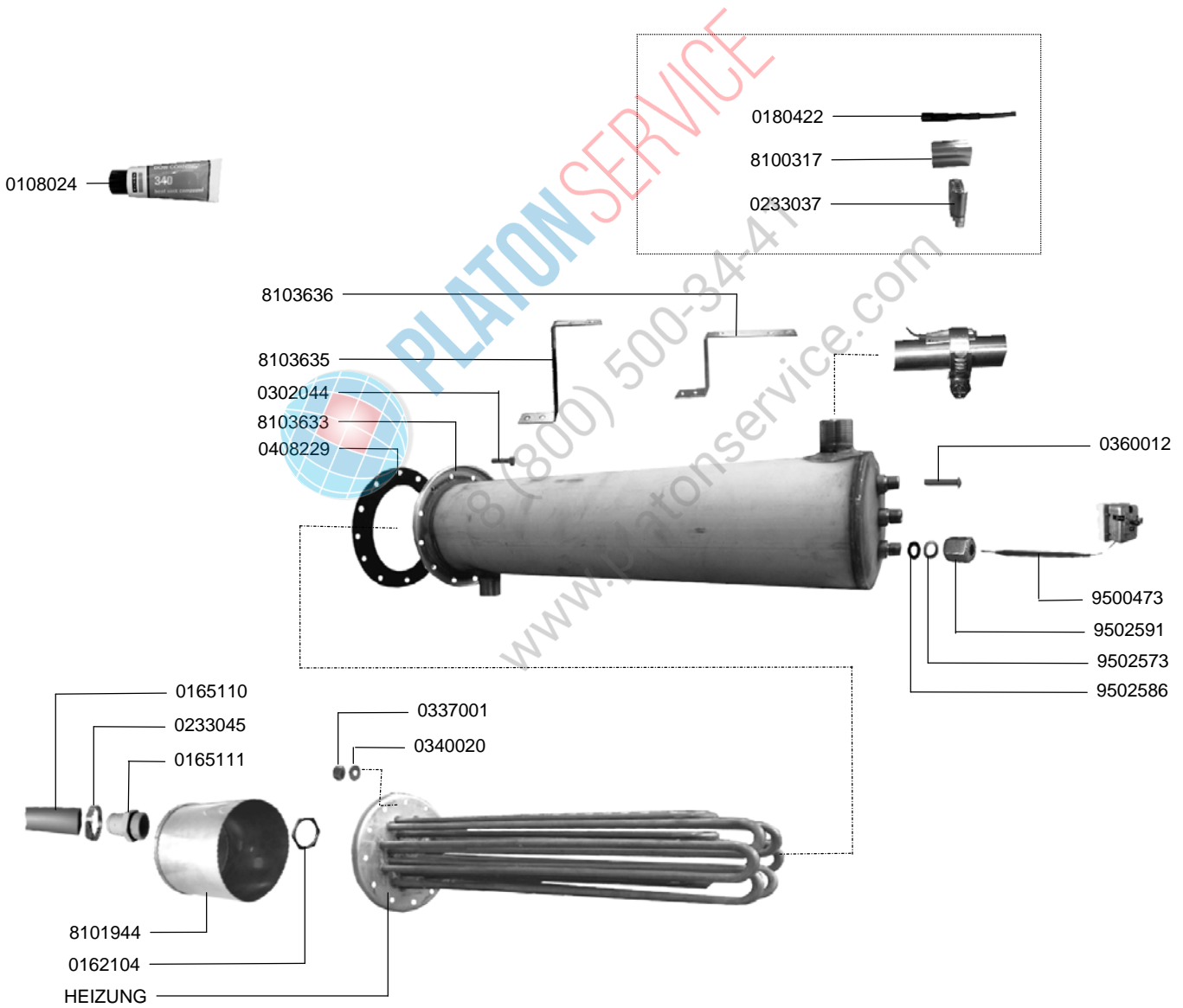
| | | | |
|---------|--------------------|------------------------|----------------------------|
| 8102945 | HEIZSCHLANGE 2 WD. | HEAT COIL WITH 2 BENDS | SERP. DE CHAUFFAGE 2 TOURS |
| 8102946 | HEIZSCHLANGE 3 WD. | HEAT COIL WITH 3 BENDS | SERP. DE CHAUFFAGE 3 TOURS |
| 8102947 | HEIZSCHLANGE 4 WD. | HEAT COIL WITH 4 BENDS | SERP. DE CHAUFFAGE 4 TOURS |
| 0408121 | FLACHDICHTUNG | FLAT SEAL | GARNITURE PLATE |

22.1 DURCHLAUFWASSERERWÄRMER ELT., ELEKTRONIKREG.



22.1 BOILER ELT., ELECTRONICALLY CONTROLLED

22.1 SURCHAFFEUR ELT., A CONTROLE ELECTRONIQUE



22.1 DURCHLAUFWASSERERWÄRMER ELT., ELEKTRONIKREG.



22.1 BOILER ELT., ELECTRONICALLY CONTROLLED

22.1 SURCHAUFFEUR ELT., A CONTROLE ELECTRONIQUE

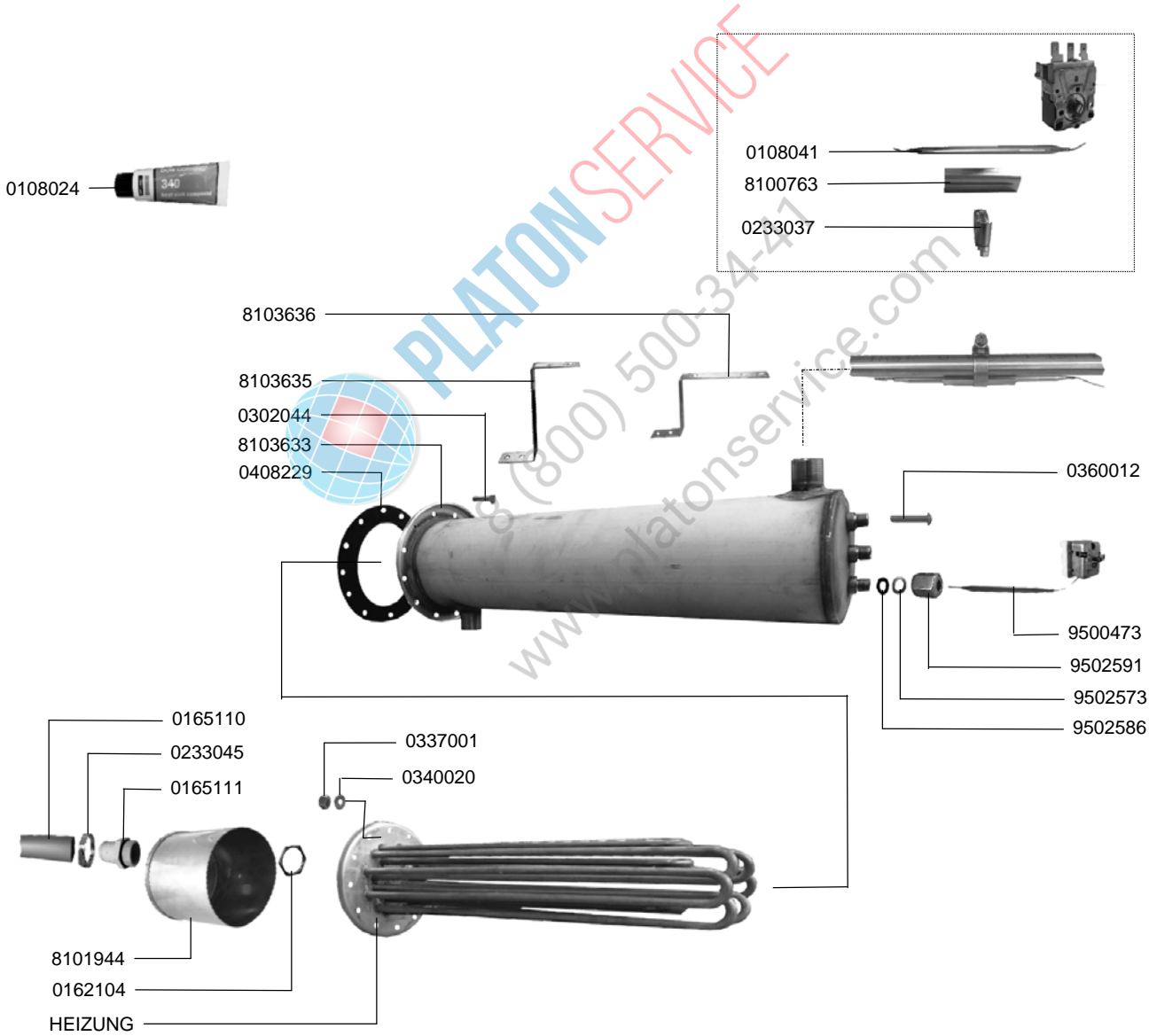
| IDENT.-NR. IDENT.-NO. | BEZEICHNUNG | DESIGNATION | DESIGNATION |
|--------------------------|-------------------------|-----------------------------|----------------------------|
| 0180422 | KABELBAUM | CABLE HARNESS | HARNAIS DE CABLES |
| 8100317 | BEFESTIGUNGSBLECH | FIXATION | FIXATION |
| 0233037 | SCHLAUCHKLEMME 16-27 | HOSE WIRE CLAMP 16-27 | COLLIER DE SERRAGE 16-27 |
| 0360012 | HALBRUNDNIET | ROUND HEAD RIVET | RIVET A TETE RONDE |
| * 9500473 | TEMPERATURBEGRENZER | TEMPERATURE LIMITER | LIMITEUR DE TEMPERATURE |
| 9502591 | ÜBERWURFMUTTER | SLEEVE NUT | ECROU RACCORD |
| 9502573 | SCHEIBE | DISK | DISQUE |
| * 9502586 | O-RING | O-RING | BAGUE |
| HEIZUNG | SIEHE ELEKTROSCHALTPLAN | SEE ELECTRIC WIRING DIAGRAM | VOIR SCHEMA ELECTRIQUE |
| 0162104 | GEGENMUTTER | COUNTERNUT | CONTRE-ECROU |
| 8101944 | SCHUTZABDECKUNG | PROTECTION COVER | RECOUVREMENT DE PROTECTION |
| 0165111 | VERSCHRAUBUNG | SCREWING | VISSAGE |
| 0233045 | SCHLAUCHKLEMME 20-32 | HOSE WIRE CLAMP 20-32 | COLLIER DE SERRAGE 20-32 |
| 0165110 | SCHLAUCH | HOSE | TUYAU |
| 0340020 | SCHEIBE | DISK | DISQUE |
| 0337001 | SKT.MUTTER M5 | HEXAGON NUT M5 | ECROU A 6 PANS M5 |
| * 0408229 | DICHTUNG | PACKING | JOINT |
| 8103633 | BOILER | BOILER | SURCHAUFFEUR |
| 0302044 | SCHRAUBE M6X110 | SCREW M6X110 | VIS M6X110 |
| 8103635 | BEFESTIGUNGSWINKEL | FIXATION ANGLE | ANGLE DE FIXATION |
| 8103636 | BEFESTIGUNGSWINKEL | FIXATION ANGLE | ANGLE DE FIXATION |
| 0108024 | LEITFÄHIGKEITSPASTE | CONDUCTIVE PASTE | PATE DE CONDUCTION |

22.2 DURCHLAUFWASSERERWÄRMER ELT., EXTERNE THERMOSTATREGELUNG



22.2 BOILER ELT., EXTERNAL THERMOSTAT REGULATION

22.2 SURCHAUFFEUR ELT., AVEC REGULATION THERMOSTAT EXTERNE



22.2 DURCHLAUFWASSERERWÄRMER ELT., EXTERNE THERMOSTATREGELUNG



22.2 BOILER ELT., EXTERNAL THERMOSTAT REGULATION

22.2 SURCHAUFFEUR ELT., AVEC REGULATION THERMOSTAT EXTERNE

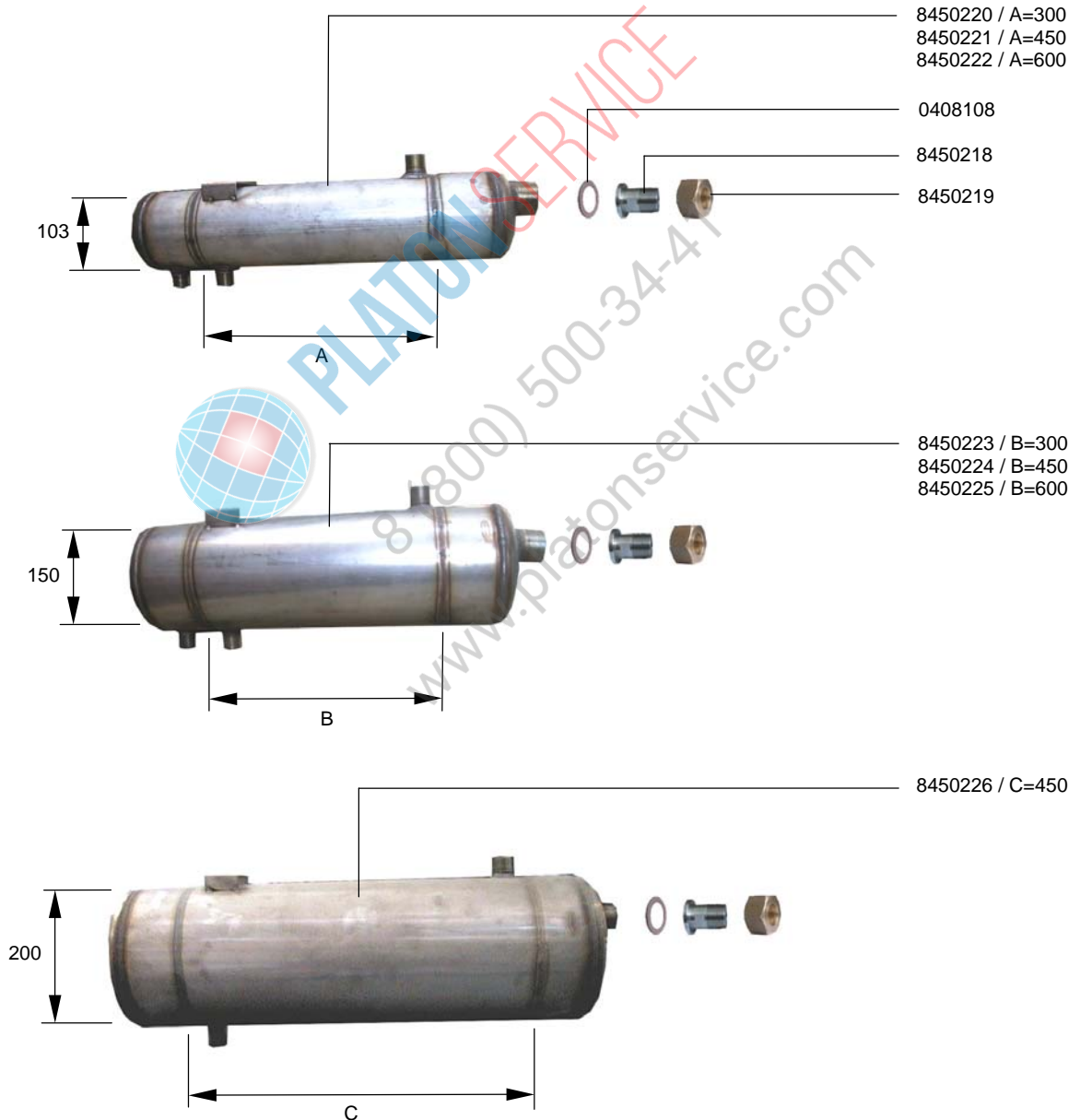
| IDENT.-NR. IDENT.-NO. | BEZEICHNUNG | DESIGNATION | DESIGNATION |
|--------------------------|-------------------------|------------------------------|----------------------------|
| * 0108041 | THERMOSTAT | THERMOSTAT | THERMOSTAT |
| 8100763 | BEFESTIGUNGSBLECH | FIXATION | FIXATION |
| 0233037 | SCHLAUCHKLEMME 16-27 | HOSE WIRE CLAMP 16-27 | COLLIER DE SERRAGE 16-27 |
| 0360012 | HALBRUNDNIET | ROUND HEAD RIVET | RIVET A TETE RONDE |
| * 9500473 | TEMPERATURBEGRENZER | TEMPERATURE LIMITER | LIMITEUR DE TEMPERATURE |
| 9502591 | ÜBERWURFMUTTER | SLEEVE NUT | ECROU RACCORD |
| 9502573 | SCHEIBE | DISK | DISQUE |
| * 9502586 | O-RING | O-RING | BAGUE |
| HEIZUNG | SIEHE ELEKTROSCHALTPLAN | (SEE ELECTRIC WIRING DIAGRAM | VOIR SCHEMA ELECTRIQUE |
| 0162104 | GEGENMUTTER | COUNTERNUT | CONTRE-ECROU |
| 8101944 | SCHUTZABDECKUNG | PROTECTION COVER | RECOUVREMENT DE PROTECTION |
| 0165111 | VERSCHRAUBUNG | SCREWING | VISSAGE |
| 0233045 | SCHLAUCHKLEMME 20-32 | HOSE WIRE CLAMP 20-32 | COLLIER DE SERRAGE 20-32 |
| 0165110 | SCHLAUCH | HOSE | TUYAU |
| 0340020 | SCHEIBE | DISK | DISQUE |
| 0337001 | SKT.MUTTER M5 | HEXAGON NUT M5 | ECROU A 6 PANS M5 |
| * 0408229 | DICHTUNG | PACKING | JOINT |
| 8103633 | BOILER | BOILER | SURCHAUFFEUR |
| 0302044 | SCHRAUBE M6X110 | SCREW M6X110 | VIS M6X110 |
| 8103635 | BEFESTIGUNGSWINKEL | FIXATION ANGLE | ANGLE DE FIXATION |
| 8103636 | BEFESTIGUNGSWINKEL | FIXATION ANGLE | ANGLE DE FIXATION |
| 0108024 | LEITFÄHIGKEITSPASTE | CONDUCTIVE PASTE | PATE DE CONDUCTION |

22.3 DURCHLAUFWASSERERWÄRMER DAMPF, PHW



22.3 BOILER STEAM, PUMP HOT WATER

22.3 SURCHAUFFEUR VAPEUR, EAU CHAUDE A POMPE



22.3 DURCHLAUFWASSERERWÄRMER DAMPF, PHW



22.3 BOILER STEAM, PUMP HOT WATER

22.3 SURCHAUFFEUR VAPEUR, EAU CHAUDE A POMPE

| IDENT.-NR. IDENT.-NO. | BEZEICHNUNG | DESIGNATION | DESIGNATION |
|--------------------------|------------------------------------|-------------------------------------|---|
| 8450220 | WÄRMETAUSCHER WT7X2/300/108/0,4 | HEAT EXCHANGER WT7X2/300/108/0,4 | ECHANGEUR DE CHALEUR WT7X2/300/108/0,4 |
| 8450221 | WÄRMETAUSCHER WT7X2/450/108/0,6 | HEAT EXCHANGER WT7X2/450/108/0,6 | ECHANGEUR DE CHALEUR WT7X2/450/108/0,6 |
| 8450222 | WÄRMETAUSCHER WT7X2/600/108/0,8 | HEAT EXCHANGER WT7X2/600/108/0,8 | ECHANGEUR DE CHALEUR WT7X2/600/108/0,8 |
| * 0408108 | DICHTUNG | PACKING | JOINT |
| 8450218 | REDUZIERNIPPEL | REDUCTION NIPPLE | NIPPLE DE REDUCTION |
| 8450219 | ÜBERWURFMUTTER | SLEEVE NUT | ECROU RACCORD |
| 8450223 | WÄRMETAUSCHER WT7X2/300/150/0,9 | HEAT EXCHANGER WT7X2/300/150/0,9 | ECHANGEUR DE CHALEUR WT7X2/300/150/0,9 |
| 8450224 | WÄRMETAUSCHER WT7X2/450/150/1,4 | HEAT EXCHANGER WT7X2/450/150/1,4 | ECHANGEUR DE CHALEUR WT7X2/450/150/1,4 |
| 8450225 | WÄRMETAUSCHER WT7X2/600/150/1,9 | HEAT EXCHANGER WT7X2/600/150/1,9 | ECHANGEUR DE CHALEUR WT7X2/600/150/1,9 |
| 8450226 | WÄRMETAUSCHER WT7X2/450/200/1,4 | HEAT EXCHANGER WT7X2/450/200/1,4 | ECHANGEUR DE CHALEUR WT7X2/450/200/1,4 |

22.4.1. BOILER ELT., ELEKTRONIKREGELUNG

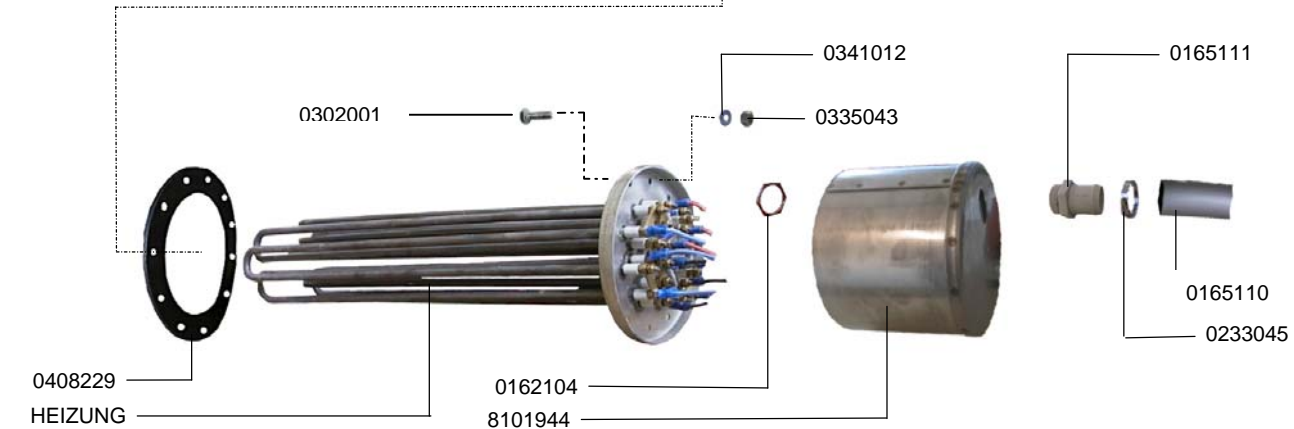
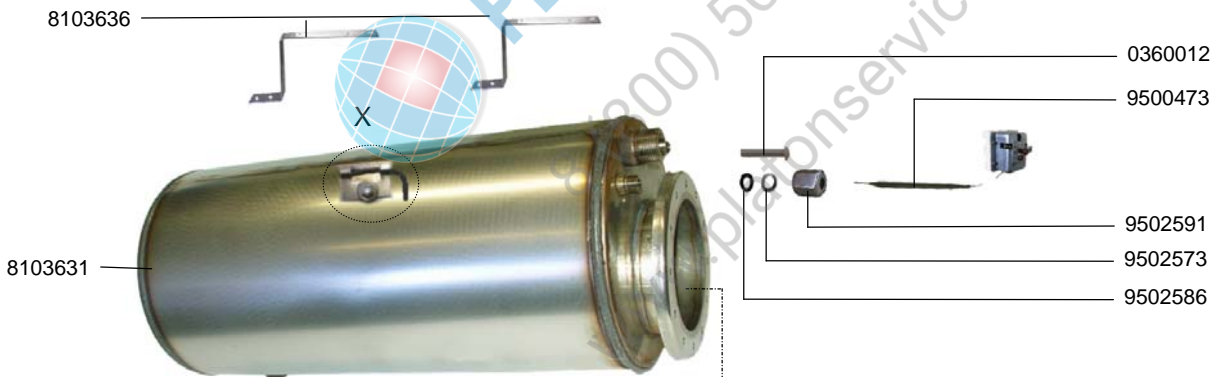


22.4.1. BOILER ELT., ELECTRONICALLY CONTROLLED

22.4.1. SURCHAFFEUR ELT., A CONTROLE ELECTRONIQUE



Detail X



22.4.1. BOILER ELT., ELEKTRONIKREGELUNG



22.4.1. BOILER ELT., ELECTRONICALLY CONTROLLED

22.4.1. SURCHAFFEUR ELT., A CONTROLE ELECTRONIQUE

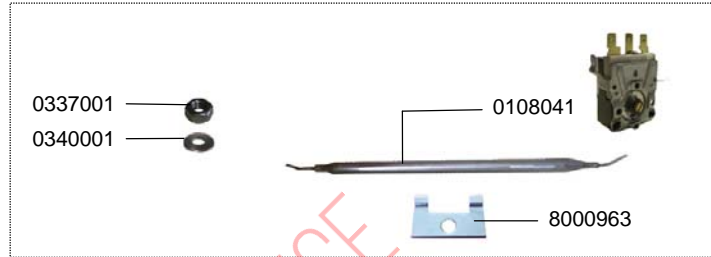
| IDENT.-NR. IDENT.-NO. | BEZEICHNUNG | DESIGNATION | DESIGNATION |
|--------------------------|-------------------------|-----------------------------|----------------------------|
| 0337001 | SKT.MUTTER M5 | HEXAGON NUT M5 | ECROU A 6 PANS M5 |
| 0340001 | SCHEIBE | DISK | DISQUE |
| 0180422 | KABELBAUM | CABLE HARNESS | HARNAIS DE CABLES |
| 8000963 | HALTER | FIXATION | FIXATION |
| 0360012 | HALBRUNDNIET | ROUND HEAD RIVET | RIVET A TETE RONDE |
| * 9500473 | TEMPERATURBEGRENZER | TEMPERATURE LIMITER | LIMITEUR DE TEMPERATURE |
| 9502591 | ÜBERWURFMUTTER | SLEEVE NUT | ECROU RACCORD |
| 9502573 | SCHEIBE | DISK | DISQUE |
| * 9502586 | O-RING | O-RING | BAGUE |
| 0341012 | FEDERING | SPRING RING | BAGUET DE RESSORT |
| 0335043 | SKT.MUTTER M6 | HEXAGON NUT M6 | ECROU A 6 PANS M6 |
| 0165111 | VERSCHRAUBUNG | SCREWING | VISSAGE |
| 0165110 | SCHLAUCH | HOSE | TUYAU |
| 0233045 | SCHLAUCHKLEMME 20-32 | HOSE WIRE CLAMP 20-32 | COLLIER DE SERRAGE 20-32 |
| 8101944 | SCHUTZABDECKUNG | PROTECTION COVER | RECOUVREMENT DE PROTECTION |
| 0162104 | GEGENMUTTER | COUNTERNUT | CONTRE-ECROU |
| HEIZUNG | SIEHE ELEKTROSCHALTPLAN | SEE ELECTRIC WIRING DIAGRAM | VOIR SCHEMA ELECTRIQUE |
| * 0408229 | DICHTUNG | PACKING | JOINT |
| 0302001 | SKT.SCHRAUBE M6X15 | SCREW M6X15 | VIS M6X15 |
| 8103631 | BOILER | BOILER | SURCHAUFFEUR |
| 8103636 | BEFESTIGUNGSWINKEL | FIXATION ANGLE | ANGLE DE FIXATION |
| 0108024 | LEITFÄHIGKEITSPASTE | CONDUCTIVE PASTE | PATE DE CONDUCTION |

22.5.1. BOILER ELT., EXTERNE THERMOSTATREGELUNG

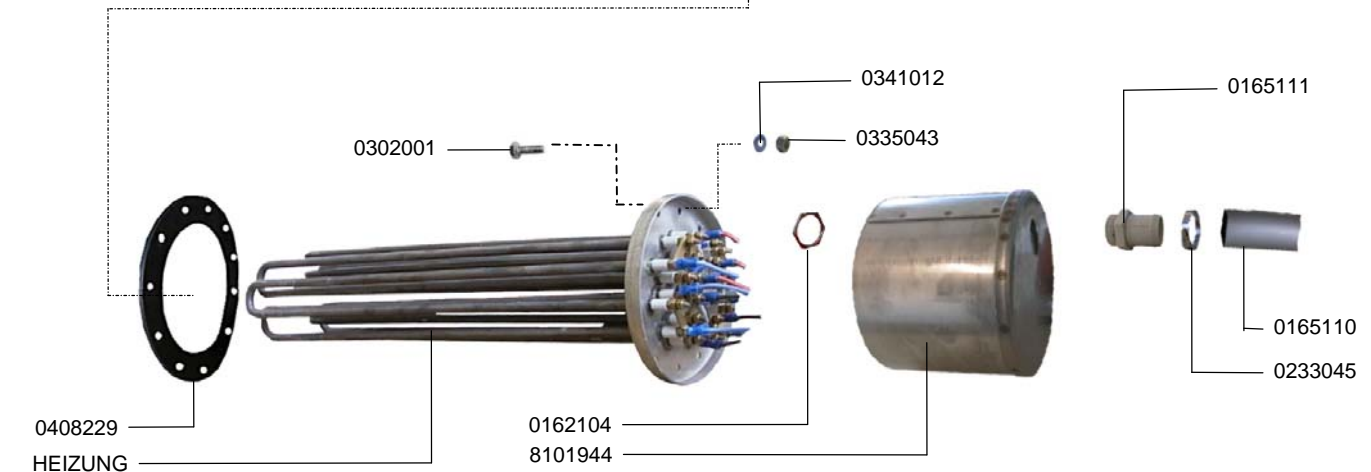
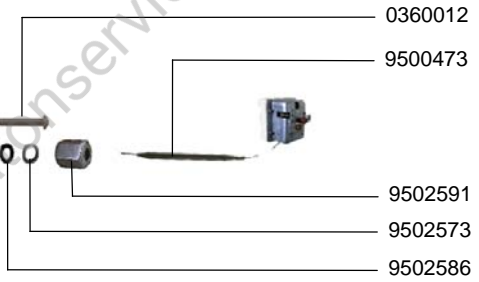
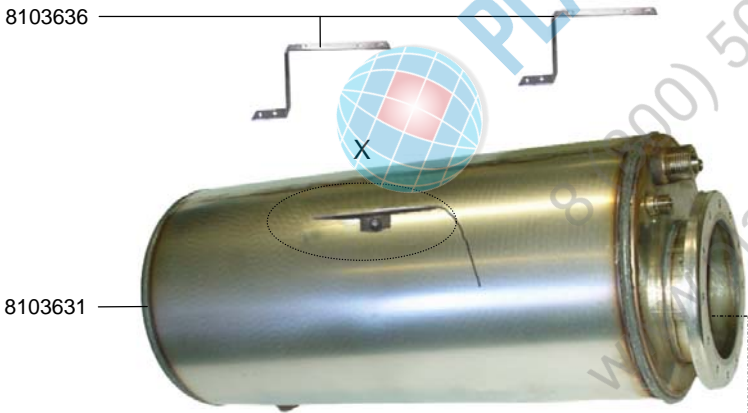


22.5.1. BOILER ELT., EXTERNAL THERMOSTAT REGULATION

22.5.1. SURCHAUFFEUR ELT., AVEC REGULATION THERMOSTAT EXTERNE



Detail X



22.5.1. BOILER ELT., EXTERNE THERMOSTATREGELUNG



22.5.1. BOILER ELT., EXTERNAL THERMOSTAT REGULATION

22.5.1. SURCHAUFFEUR ELT., AVEC REGULATION THERMOSTAT EXTERNE

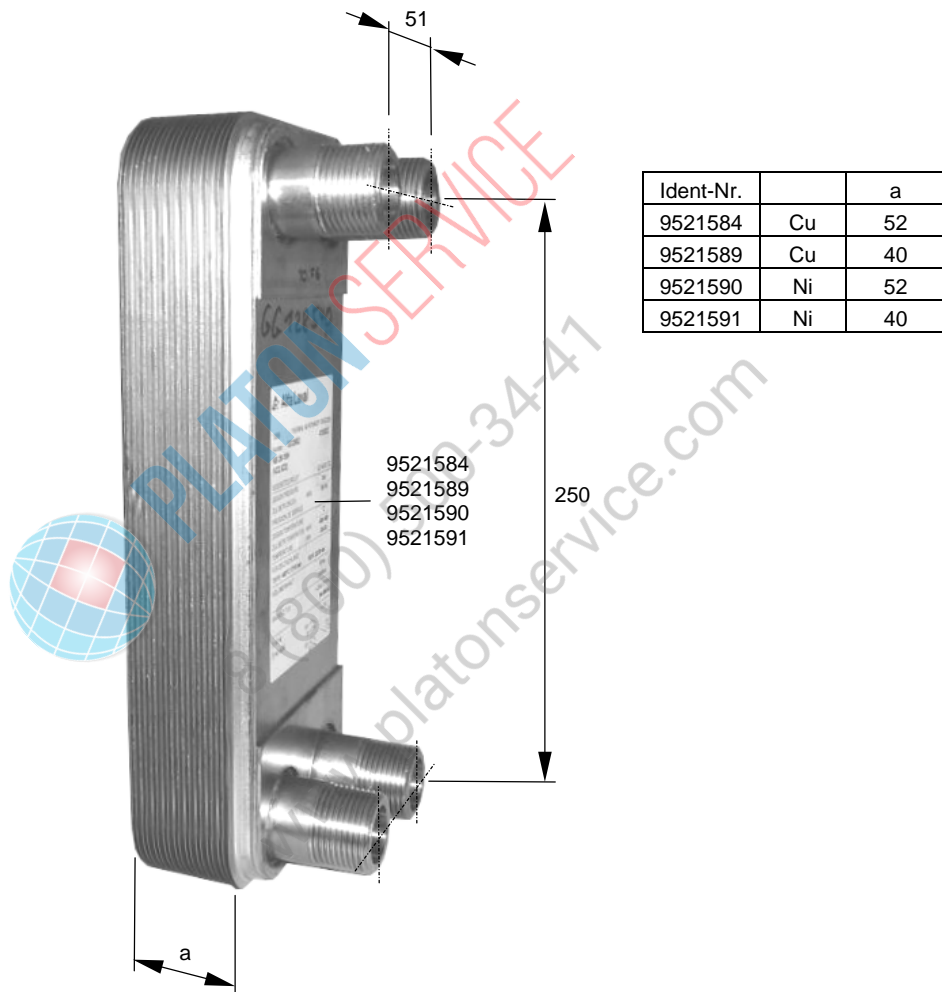
| IDENT.-NR. IDENT.-NO. | BEZEICHNUNG | DESIGNATION | DESIGNATION |
|--------------------------|-------------------------|-----------------------------|----------------------------|
| 0337001 | SKT.MUTTER M5 | HEXAGON NUT M5 | ECROU A 6 PANS M5 |
| 0340001 | SCHEIBE | DISK | DISQUE |
| * 0108041 | THERMOSTAT | THERMOSTAT | THERMOSTAT |
| 8000963 | HALTER | FIXATION | FIXATION |
| 0360012 | HALBRUNDNIET | ROUND HEAD RIVET | RIVET A TETE RONDE |
| * 9500473 | TEMPERATURBEGRENZER | TEMPERATURE LIMITER | LIMITEUR DE TEMPERATURE |
| 9502591 | ÜBERWURFMUTTER | SLEEVE NUT | ECROU RACCORD |
| 9502573 | SCHEIBE | DISK | DISQUE |
| * 9502586 | O-RING | O-RING | BAGUE |
| 0341012 | FEDERING | SPRING RING | BAGUET DE RESSORT |
| 0335043 | SKT.MUTTER M6 | HEXAGON NUT M6 | ECROU A 6 PANS M6 |
| 0165111 | VERSCHRAUBUNG | SCREWING | VISSAGE |
| 0165110 | SCHLAUCH | HOSE | TUYAU |
| 0233045 | SCHLAUCHKLEMME 20-32 | HOSE WIRE CLAMP 20-32 | COLLIER DE SERRAGE 20-32 |
| 8101944 | SCHUTZABDECKUNG | PROTECTION COVER | RECOUVREMENT DE PROTECTION |
| 0162104 | GEGENMUTTER | COUNTERNUT | CONTRE-ECROU |
| HEIZUNG | SIEHE ELEKTROSCHALTPLAN | SEE ELECTRIC WIRING DIAGRAM | VOIR SCHEMA ELECTRIQUE |
| * 0408229 | DICHTUNG | PACKING | JOINT |
| 0302001 | SKT.SCHRAUBE M6X15 | SCREW M6X15 | VIS M6X15 |
| 8103631 | BOILER | BOILER | SURCHAUFFEUR |
| 8103636 | BEFESTIGUNGSWINKEL | FIXATION ANGLE | ANGLE DE FIXATION |
| 0108024 | LEITFÄHIGKEITSPASTE | CONDUCTIVE PASTE | PATE DE CONDUCTION |

22.6 PLATTENWÄRMETAUSCHER, HEISSWASSER



22.6 HEAT EXCHANGER PLATE SHAPED, HOT WATER

22.6 EXCHANGEUR DE CHALEUR A PLAQUES, EAU CHAUDE



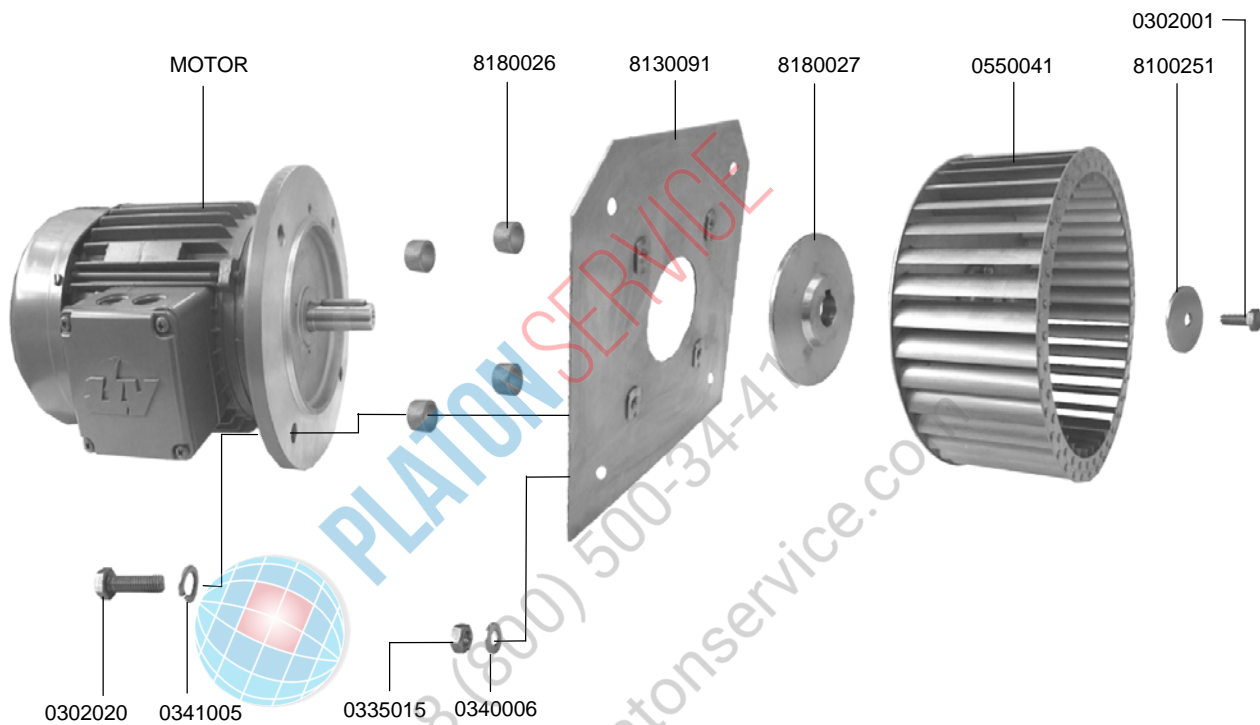
| IDENT.-NR. IDENT.-NO. | BEZEICHNUNG | DESIGNATION | DESIGNATION |
|--------------------------|---|---|---|
| 9521584 | PLATTENDURCHLAUFERHITZER KUPFERGELÖTET | PLATE-SHAPED BOILER SOLDERED WITH COPPER | SURCHAUFFEUR A PLAQUES SOUDE AU CUIVRE |
| 9521589 | PLATTENDURCHLAUFERHITZER KUPFERGELÖTET | PLATE-SHAPED BOILER SOLDERED WITH COPPER | SURCHAUFFEUR A PLAQUES SOUDE AU CUIVRE |
| 9521590 | PLATTENDURCHLAUFERHITZER NICKELGELÖTET | PLATE-SHAPED BOILER SOLDERED WITH NICKEL | SURCHAUFFEUR A PLAQUES SOUDE AU NICKEL |
| 9521591 | PLATTENDURCHLAUFERHITZER NICKELGELÖTET | PLATE-SHAPED BOILER SOLDERED WITH NICKEL | SURCHAUFFEUR A PLAQUES SOUDE AU NICKEL |

23.1 RADIALGEBLÄSE



23.1 RADIAL FAN

23.1 VENTILATEUR RADIAL



| IDENT.-NR. IDENT.-NO. | BEZEICHNUNG | DESIGNATION | DESIGNATION |
|--------------------------|-------------|-------------|-------------|
|--------------------------|-------------|-------------|-------------|

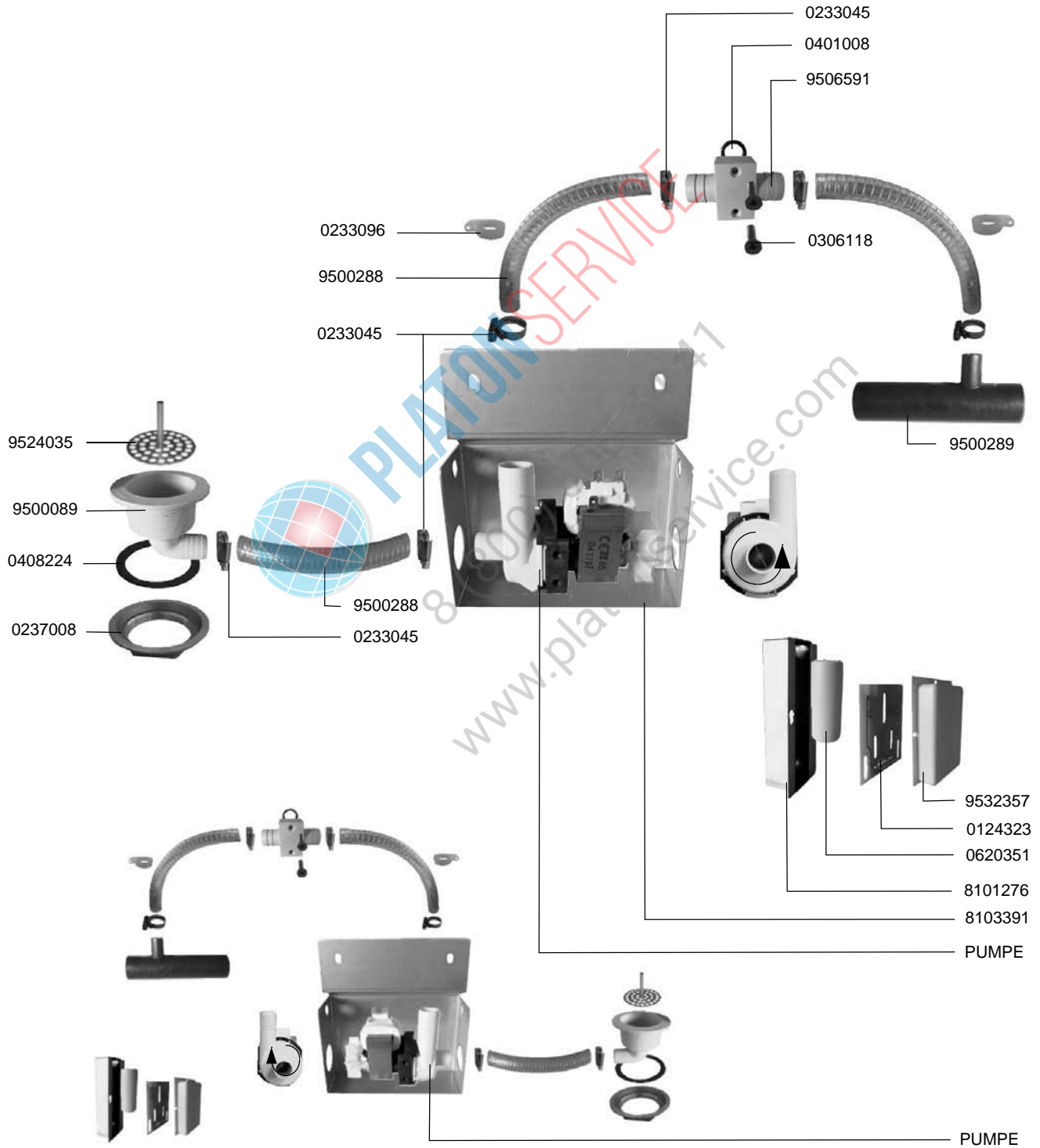
| | | | |
|---------|---|--|--|
| MOTOR | SIEHE ELEKTROSCHALTPLAN | SEE ELECTRIC WIRING DIAGRAM | VOIR SCHEMA ELECTRIQUE |
| 8180026 | DISTANZ LÜFTERMOTOR Ø17X10, 1.4301 | DISTANCE PIECE F. EXTRACTION MOTOR Ø17X10, 1.4301 | PIECE DE DISTANCE POUR VENTILATEUR Ø17X10, 1.4301 |
| 8130091 | MOTORPLATTE FÜR MRL 280X280X2, 1.4301 | MOTOR SUPPORT F. MRL-FAN 280X280X2, 1.4301 | PLAQUE SUPPORT DE MOTEUR 280X280X2, 1.4301 |
| 8180027 | SCHLEUDERSCHEIBE Ø90X19X11,5, CUZN | CENTRIFUGAL DISC Ø90X19X11,5, CUZN | RONDELLE CENTRIFUGE Ø90X19X11,5, CUZN |
| 0550041 | LÜFTERRAD 12504271022-E Ø225X100, 1.4301 | VENTILATOR WHEEL WITH CENTER Ø225X100, 1.4301 | ROUE DE VENTILATEUR AVEC MOYEU Ø225X100, 1.4301 |
| 0302001 | SKT.-SCHRAUBE M6X15 | HEXAGON SCREW M6X15 | VIS A 6 PANS M6X15 |
| 8100251 | U-SCHEIBE Ø34X7X2, 1.4301 | FRONT DISC Ø34X7X2; 1.4301 | RONDELLE Ø34X7X2, 1.4301 |
| 0340006 | U-SCHEIBE MS. VERN. 8,4X18X2 | WASHER BRASS NICKELED 8,4X18X2 | RONDELLE EN LAITON NICKELE 8,4X18X2 |
| 0335015 | SKT.-MUTTER M8 | HEXAGON NUT M8 | ECROU A 6 PANS M8 |
| 0341005 | FEDERRING A10 | FEATHER KEY A10 | RONDELLE RESSORT A10 |
| 0302020 | SKT.-SCHRAUBE M10X25 | HEXAGON SCREW M10X25 | VIS A 6 PANS M10X25 |

23.2 WASSERUMGEHUNG FÜR STÄRKELOSEPROGRAMM



23.2 WATER BY-PASS FOR STARCH REMOVING PROGRAMME

23.2 DEVIATION D'EAU POUR PROGRAMME A ENLEVER L'AMIDON



23.2 WASSERUMGEHUNG FÜR STÄRKELOSEPROGRAMM



23.2 WATER BY-PASS FOR STARCH REMOVING PROGRAMME

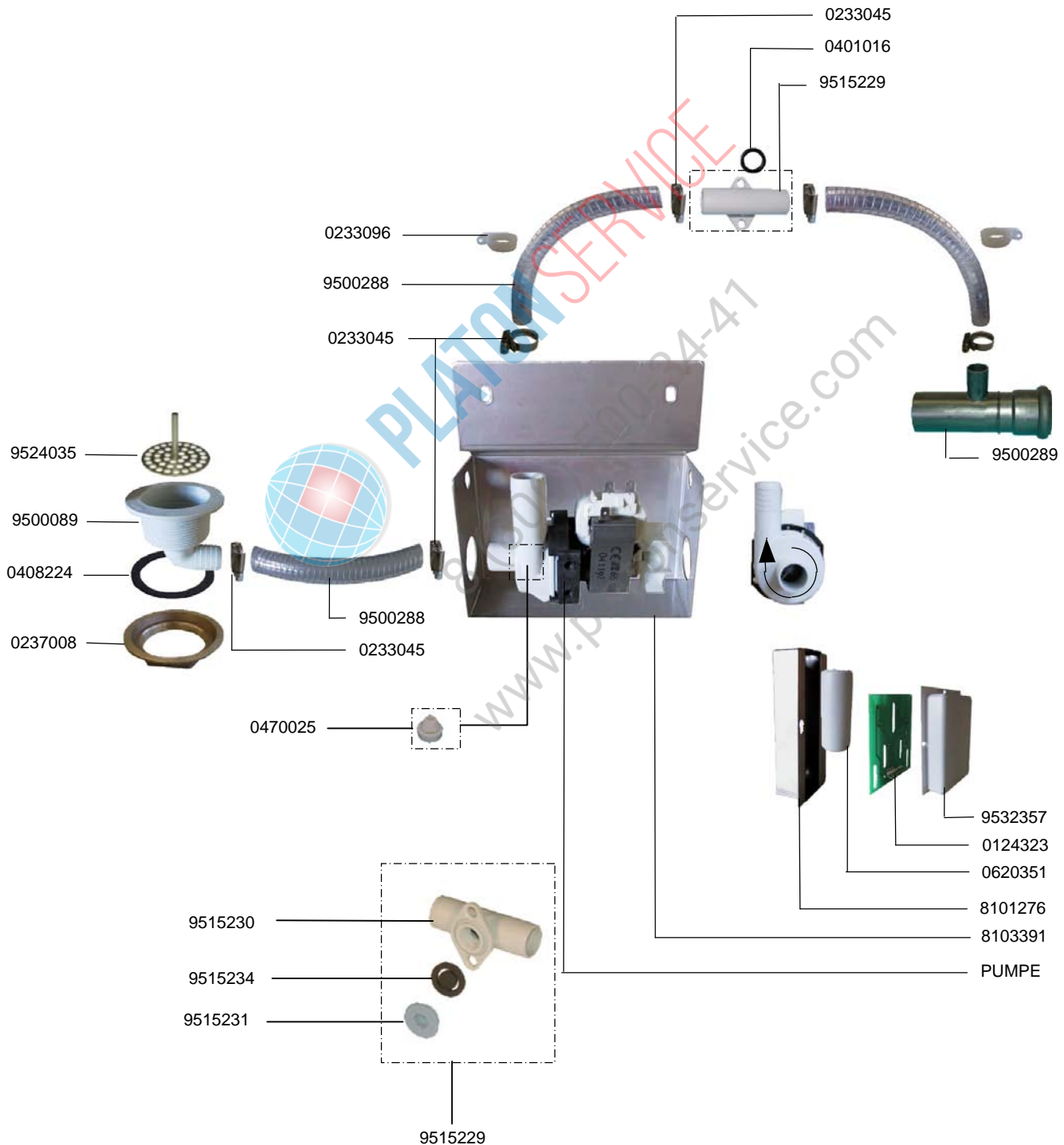
23.2 DEVIATION D'EAU POUR PROGRAMME A ENLEVER L'AMIDON

| IDENT.-NR. IDENT.-NO. | BEZEICHNUNG | DESIGNATION | DESIGNATION |
|--------------------------|-------------------------------|-----------------------------|--------------------------|
| 0233045 | SCHLAUCHKLEMME 20-32 | HOSE WIRE CLAMP 20-32 | COLLIER DE SERRAGE 20-32 |
| 0401008 | DICHTUNG | PACKING | JOINT |
| 9506591 | ENTLÜFTUNGSVENTIL | VENT VALVE | VALVE D' AERATION |
| 0306118 | SCHRAUBE M4X20 | SCREW M4X20 | VIS M4X20 |
| 9500289 | ROHR | TUBE | TUYAU |
| 0621068 | ABDECKUNG | COVER | CE CONTROLE |
| 0124323 | CE STEUERUNG | CE CONTROL | FLOTTEUR K343 |
| 0620351 | SCHWIMMER K343 | FLOAT, PLASTIC K343 | GUIDAGE POUR FLOTTEUR |
| 8101276 | SCHWIMMERFÜHRUNG 177X45X44 | FLOAT GUIDE 177X45X44 | SUPPORT DE POMPE |
| 8103391 | PUMPENHALTERUNG | PUMP SUPPORT | VOIR SCHEMA ELECTRIQUE |
| PUMPE | SIEHE ELEKTROSCHALTPLAN | SEE ELECTRIC WIRING DIAGRAM | TUYAU |
| 9500288 | SCHLAUCH | HOSE | ECROU 2" |
| 0237008 | MUTTER 2" | NUT 2" | JOINT |
| 0408224 | DICHTUNG | PACKING | VANNE DE VIDANGE |
| 9500089 | ABLAUFVENTIL | DRAIN VALVE | TAMIS POUR VIDANGE |
| 9524035 | SIEB FÜR ABLAUF | SIEVE FOR DRAIN | TAMIS PUR VIDAGNE |
| 0233096 | SCHLAUCHKLEMME | HOSE WIRE CLAMP | COLLIER DE SERRAGE |

23.2.1 WASSERUMGEHUNG FÜR STÄRKELOSEPROGRAMM

23.2.1 WATER BY-PASS FOR STARCH REMOVING PROGRAMME

23.2.1 DEVIATION D'EAU POUR PROGRAMME A ENLEVER L'AMIDON



23.2.1 WASSERUMGEHUNG FÜR STÄRKELÖSEPROGRAMM



23.2.1 WATER BY-PASS FOR STARCH REMOVING PROGRAMME

23.2.1 DEVIATION D' EAU POUR PROGRAMME A ENLEVER L'AMIDON

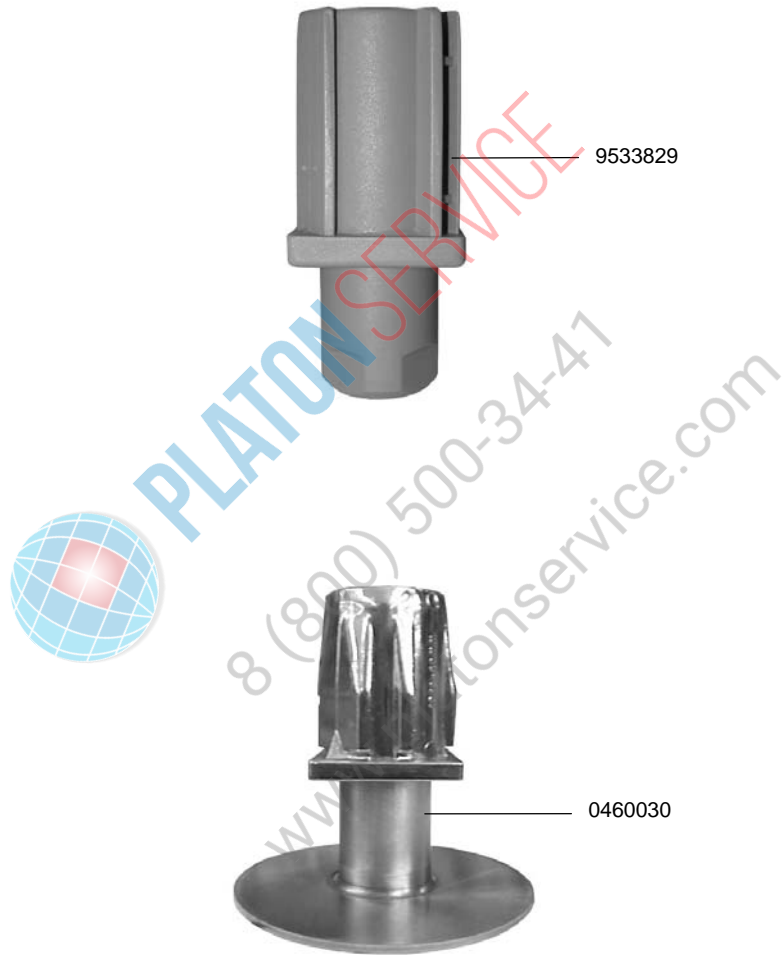
| IDENT.-NR. IDENT.-NO. | BEZEICHNUNG | DESIGNATION | DESIGNATION |
|--------------------------|-------------------------------|-----------------------------|------------------------------------|
| 0233045 | SCHLAUCHKLEMME 20-32 | HOSE WIRE CLAMP 20-32 | COLLIER DE SERRAGE 20-32 |
| 0401016 | DICHTUNG | PACKING | JOINT |
| 9515229 | ENTLÜFTUNGSVENTIL | VENT VALVE | VALVE D' AERATION |
| 9500289 | ROHR | TUBE | TUYAU |
| 9532357 | ABDECKUNG | COVER | RECOUVREMENT |
| 0124323 | CE STEUERUNG | CE CONTROL | CE CONTROLE |
| * 0620351 | SCHWIMMER K343 | FLOAT, PLASTIC K343 | FLOTTEUR K343 |
| 8101276 | SCHWIMMERFÜHRUNG 177X45X44 | FLOAT GUIDE 177X45X44 | GUIDAGE POUR FLOTTEUR 177X45X44 |
| 8103391 | PUMPENHALTERUNG | PUMP SUPPORT | SUPPORT DE POMPE |
| PUMPE | SIEHE ELEKTROSCHALTPLAN | SEE ELECTRIC WIRING DIAGRAM | VOIR SCHEMA ELECTRIQUE |
| 9500288 | SCHLAUCH | HOSE | TUYAU |
| 0237008 | MUTTER 2" | NUT 2" | ECROU 2" |
| 0408224 | DICHTUNG | PACKING | JOINT |
| 9500089 | ABLAUFVENTIL | DRAIN VALVE | VANNE DE VIDANGE |
| 9524035 | SIEB FÜR ABAUF | SIEVE FOR DRAIN | TAMIS POUR VIDANGE |
| 0233096 | SCHLAUCHKLEMME | HOSE WIRE CLAMP | COLLIER DE SERRAGE |
| 9515231 | VERSCHLUSSSCHRAUBE | SCREW PLUG | BOUCHON FILETE DE DECHARGE |
| 0470025 | GUMMIPUFFER | RUBBER BUFFER | TAMPON EN CAOUTCHOUC |
| 9515234 | DICHTUNG | PACKING | JOINT |
| 9515229 | ENTLÜFTUNGSVENTIL KPL | VENT VALVE CPL | VANNE D' AERATION CPL |

23.3.1 MASCHINENSTOLLEN



23.3.1 FEET OF MACHINE

23.3.1 PIEDS DE MACHINE



| IDENT.-NR. IDENT.-NO. | BEZEICHNUNG | DESIGNATION | DESIGNATION |
|--------------------------|--|---|--------------------------------------|
| 9533829 | TISCHSTOLLEN KPL. | TABLE FEET CPL. | PIEDS DE TABLE CPL. |
| 0460030 | STELLFUSS NIRO CAMLOCK 1015-4003-1144 | STANDING FEET CAMLOCK 1015-4003-1144 | PIEDS NIRO CAMLOCK 1015-4003-1144 |

23.4 ROHRABDICHTUNG



23.4 TUBE PACKING

23.4 JOINT DE TUYAU



PLATON SERVICE
8 (800) 101-34-41
www.platonservice.com



0650030

| IDENT.-NR. IDENT.-NO. | BEZEICHNUNG | DESIGNATION | DESIGNATION |
|--------------------------|-------------|-------------|-------------|
|--------------------------|-------------|-------------|-------------|

0650030

KABELDURCHFÜHRUNG

CABLE DUCT

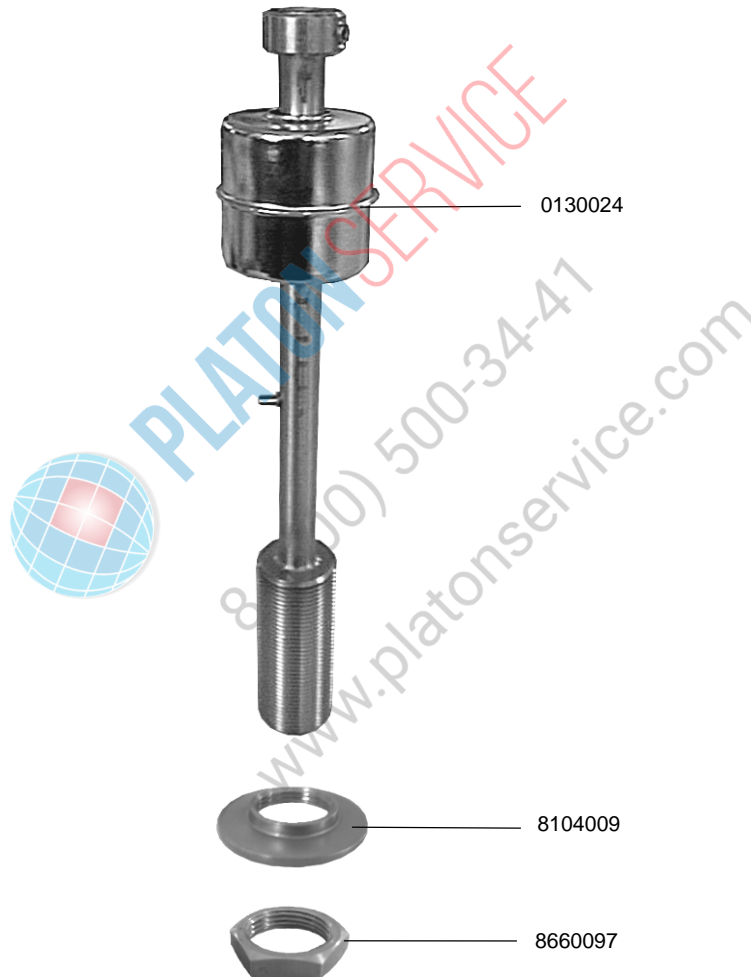
TRAVERSEE DE CABLE

23.5 SCHWIMMERSCHALTER



23.5 FLOAT SWITCH

23.5 FLOTTEUR POUR NIVEAU DE BAC



IDENT.-NR. BEZEICHNUNG
IDENT.-NO.

DESIGNATION

DESIGNATION

| | | | |
|-----------|------------------|---------------------|---------------------|
| * 0130024 | SCHWIMMER | FLOAT | FLOTTEUR |
| 8104009 | MUTTER 3/4" | NUT 3/4" | ECROU 3/4" |
| 8660097 | SKT. MUTTER 3/4" | HEXAGONE SCREW 3/4" | ECROU A 6 PANS 3/4" |

23.6 NIVEAUREGELUNG



23.6 LEVEL CONTROL

23.6 REGULATION DE NIVEAU



| IDENT.-NR. IDENT.-NO. | BEZEICHNUNG | DESIGNATION | DESIGNATION |
|--------------------------|-------------|-------------|-------------|
|--------------------------|-------------|-------------|-------------|

8101276 SCHWIMMERFÜHRUNG
177X45X44

FLOAT GUIDE
177X45X44

GUIDAGE POUR FLOTTEUR
177X45X44

* 0620351 SCHWIMMER K343

FLOAT, PLASTIC K343

FLOTTEUR K343

9532357 ABDECKUNG

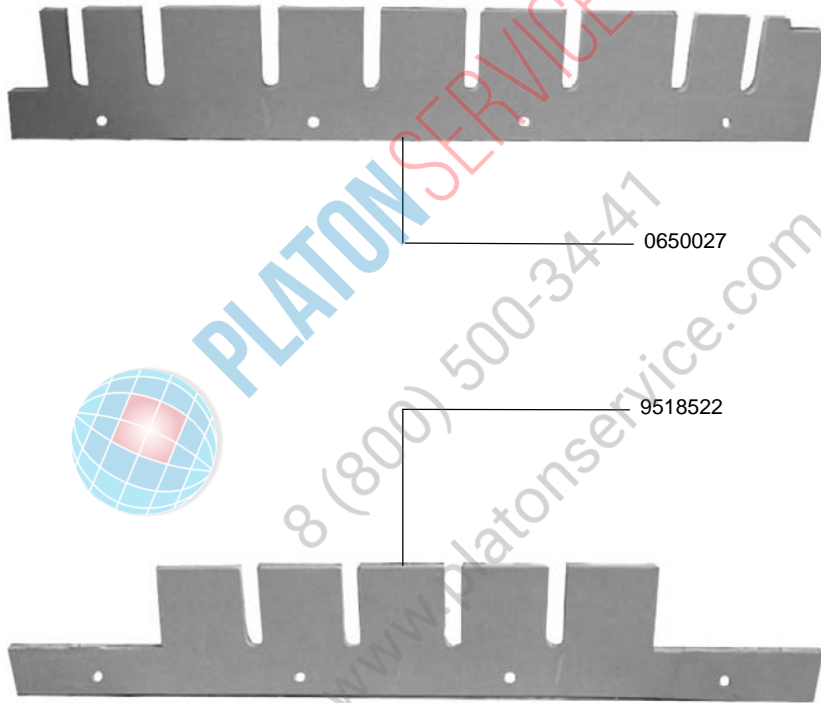
COVER

RECOUVREMENT

23.7 WRASENABDICHTUNG FÜR TRANSPORTBAND

23.7 VAPEUR SEALING FOR TRANSPORT CONVEYOR

23.7 JOINT DE BUEES POUR CONVOYEUR DE TRANSPORT



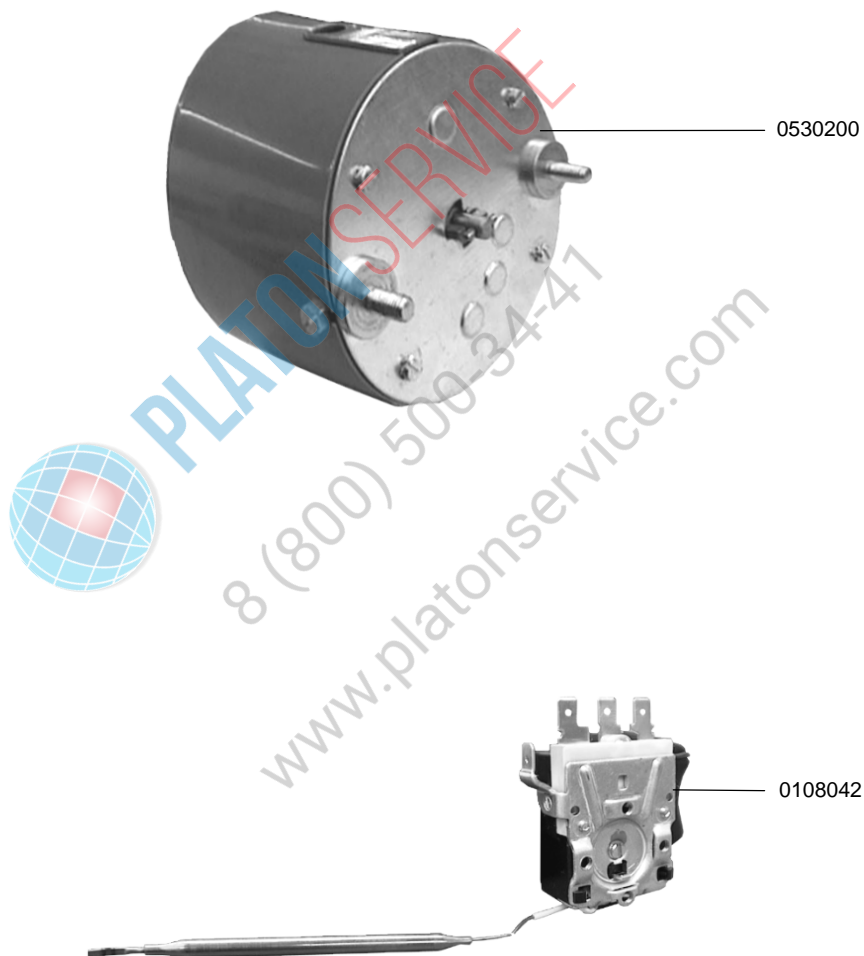
| IDENT.-NR. IDENT.-NO. | BEZEICHNUNG | DESIGNATION | DESIGNATION |
|--------------------------|-------------------------|------------------|----------------------|
| 0650027 | GUMMI 620X100X8 | RUBBER 620X100X8 | CAOUTCHOUC 620X100X8 |
| 9518522 | GUMMISTREIFEN 620X100X8 | RUBBER 620X100X8 | CAOUTCHOUC 620X100X8 |

23.8 FROSTSCHUTZWÄCHTER



23.8 FROST PROTECTION

23.8 PROTECTEUR ANTI-GEL



IDENT.-NR.
IDENT.-NO.

BEZEICHNUNG

DESIGNATION

DESIGNATION

0530200

MOTOR

MOTOR

MOTEUR

* 0108042

TEMPERATURFÜHLER

TEMPERATURE PROBE

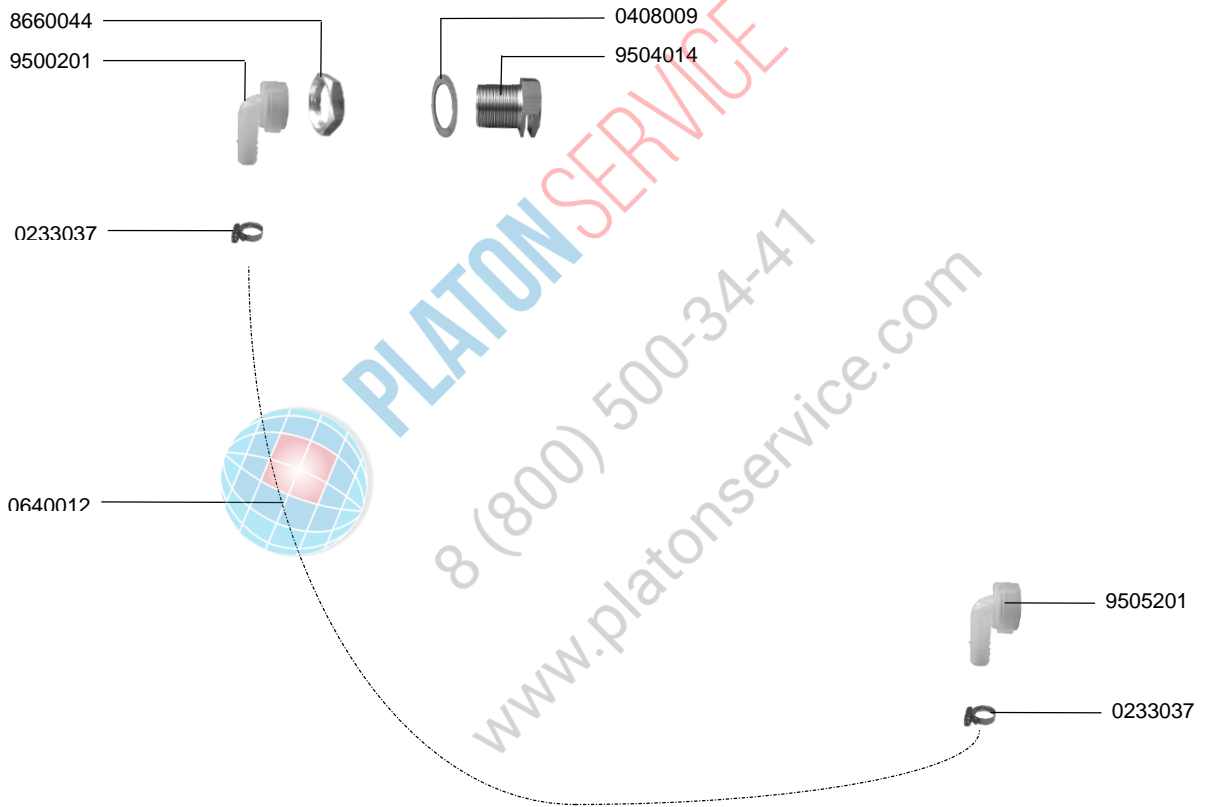
SONDE DE TEMPERATURE

23.9 ABWASSERLEITUNG FÜR UMKEHROSMOSEANLAGE



23.9 WASTE WATER PIPE FOR REVERSE OSMOSIS INSTALL.

23.9 CONDUITE D'EAU POUR INSTALLATION OSMOSE INVERSEE



IDENT.-NR.
IDENT.-NO.

BEZEICHNUNG

DESIGNATION

DESIGNATION

0408009

DICHTUNG

PACKING

JOINT

* 9504014

FLACHSTRAHLDÜSE

FLAT JET NOZZLE

GICLÉUR A JET PLAIN

9505201

ANSCHLUSWINKEL

CONNECTION ANGLE

ANGLE DE CONNEXION

0233037

SCHLAUCHKLEMME 16-27

HOSE WIRE CLAMP 16-27

COLLIER DE SERRAGE 16-27

0640012

SCHLAUCH

HOSE

TUYAU

8660044

SKT. MUTTER 3/4"

HEXAGON NUT 3/4"

ECROU A 6 PANS 3/4"

23.10 KLAPPENSCHALTER IM EINLAUFTUNNEL



23.10 FLAP SWITCH IN THE FEEDING TUNNEL

23.10 INTERRUPTEUR A CLAPET DANS LE TUNNEL D'ENTREE



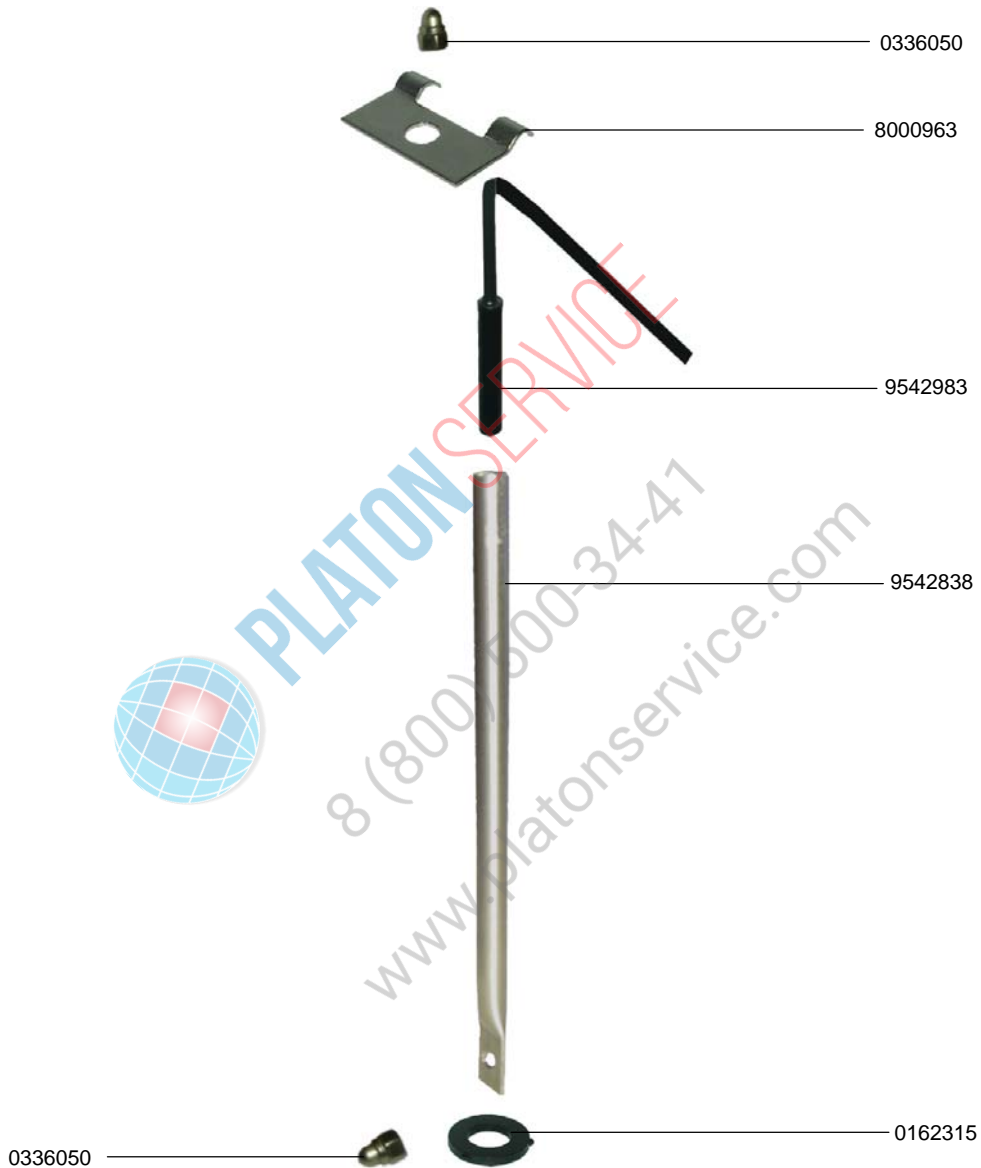
| IDENT.-NR. IDENT.-NO. | BEZEICHUNG | DESIGNATION | DESIGNATION |
|--------------------------|------------|-------------|-------------|
|--------------------------|------------|-------------|-------------|

| | | | |
|---------|------------------|-----------------|-----------------|
| 0336050 | HUTMUTTER M5 | CAP NUT M5 | ECROU BORGNE M5 |
| 8000963 | HALTEBLECH | SUPPORT | SUPPORT |
| 9542983 | SCHALTER | SWITCH | INTERRUPTEUR |
| 9542839 | ROHRLEITUNG | PIPE LINE | CONDUITE |
| 0408221 | DICHTUNG 10*20*4 | PACKING 10*20*4 | JOINT 10*20*4 |

23.10.1 KLAPPENSCHALTER IM EINLAUFTUNNEL

23.10.1 FLAP SWITCH IN THE FEEDING TUNNEL

23.10.1 INTERRUPTEUR A CLAPET DANS LE TUNNEL D'ENTREE



| IDENT.-NR. IDENT.-NO. | BEZEICHUNG | DESIGNATION | DESIGNATION |
|--------------------------|--------------------|----------------|----------------------|
| 0336050 | HUTMUTTER M5 | CAP NUT M5 | ECROU BORGNE M5 |
| 8000963 | HALTEBLECH | SUPPORT | SUPPORT |
| 9542983 | SCHALTER | SWITCH | INTERRUPTEUR |
| 9542838 | ROHRLEITUNG | PIPE LINE | CONDUITE |
| 0162315 | DURCHFÜHRUNGSTÜLLE | BUSHING NIPPLE | DOUILLE DE TRAVERSEE |

23.11 KABELFÜHRUNG IM EINLAUFTUNNEL

23.11 CABLE CHANNEL IN THE FEEDING TUNNEL

23.11 GUIDAGE DE CABLE DANS LE TUNNEL D'ENTREE



IDENT.-NR.
IDENT.-NO.

BEZEICHNUNG

DESIGNATION

DESIGNATION

9542964

ROHRLEITUNG

PIPE LINE

CONDUITE

9543190

DURCHFÜHRUNGSTÜLLE

BUSHING NIPPLE

DOUILLE DE TRAVERSEE

9503984

FLANSCHPLATTE

FLANGE

FLASQUE

0401018

O-RING

O-RING

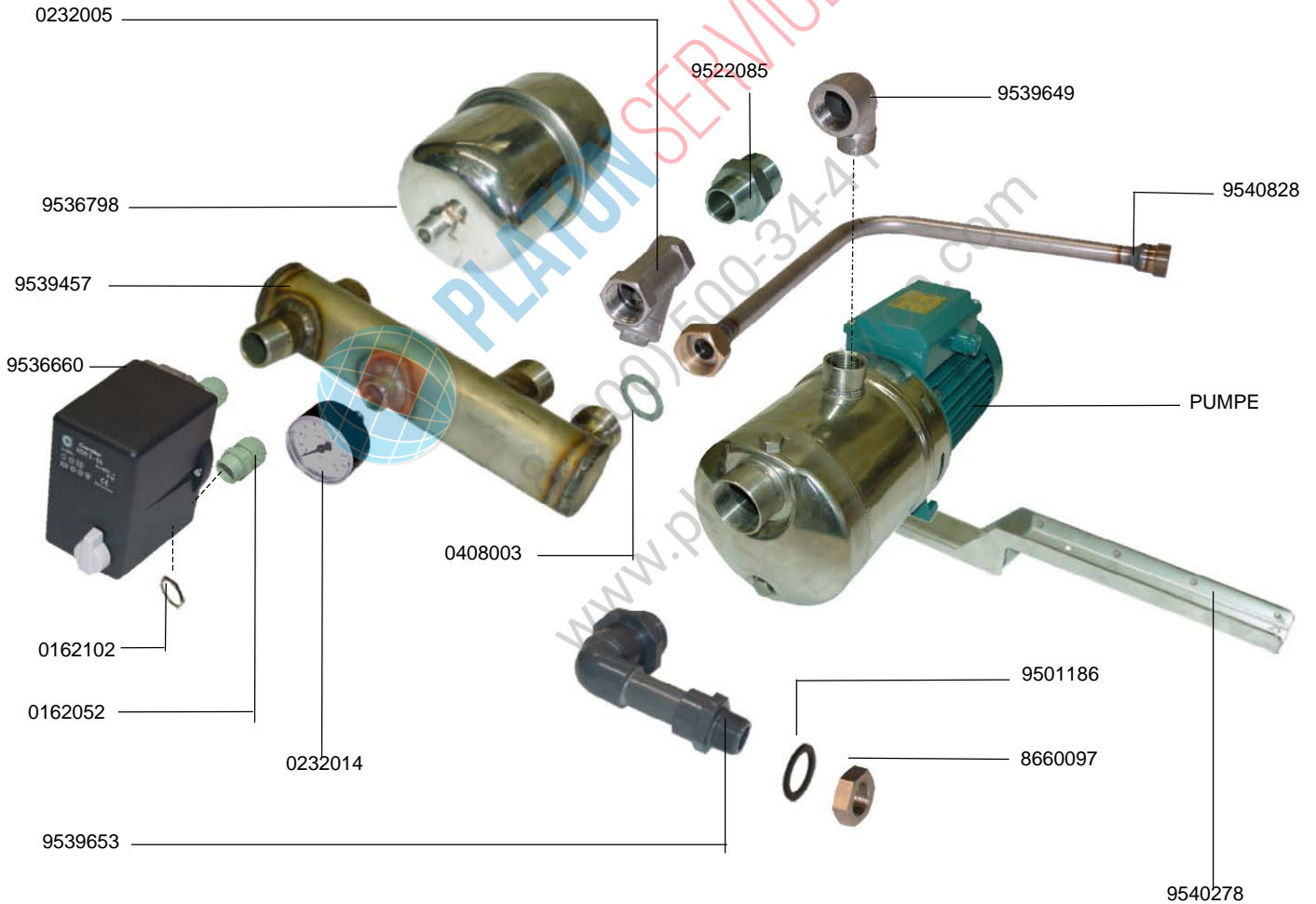
BAGUE

23.12 DRUCKSTEIGERUNGSPUMPE



23.12 BOOSTER PUMP

23.12 SURPRESSEUR



23.12 DRUCKSTEIGERUNGSPUMPE



23.12 BOOSTER PUMP

23.12 SURPRESSEUR

| IDENT.-NR. IDENT.-NO. | BEZEICHNUNG | DESIGNATION | DESIGNATION |
|--------------------------|-------------------------|------------------------------|------------------------|
| 9539649 | BOGEN 90° | 90° CURVE | COURBE 90° |
| 9540828 | LEITUNG | DUCT | CONDUITE |
| PUMPE | SIEHE ELEKTROSCHALTPLAN | SEE ELECTRIC WIRING DIAGRAMM | VOIR SCHEMA ELECTRIQUE |
| 9501186 | DICHTUNG 37X27X2 | PACKING 37X27X2 | JOINT 37X27X2 |
| 8660097 | SECHSKANTMUTTER R3/4° | NUT | ECROU |
| 9540278 | KONSOLE KPL. | CONSOLE CPL. | CONSOLE CPL. |
| 9539653 | ANSAUGLEITUNG | SUTTION HOSE | TUYAU DE SUTTION |
| 0428003 | DICHTUNG 17X24X15 | PACKING 17X24X15 | JOINT 17X24X15 |
| 0232014 | MANOMETER | MANOMETER | MANOMÈTRE |
| 0162052 | VERSCHRAUBUNG PG 13,5 | SCREWING PG 13,5 | VISSAGE PG 13,5 |
| 0162102 | GEGENMUTTER PG 13,5 | NUT PG 13,5 | ECROU PG 13,5 |
| 9536660 | DRUCKSENSOR | PRESSURE SENSOR | DETECTEUR DE PRESSION |
| 9539457 | VERTEILERROHR | DISTRIBUTING PIPE | TUYAU DISTRIBUTEUR |
| 9536798 | DRUCKBEHÄLTER | PRESSURE TANK | RESERVOIR DE PRESSION |
| 0232005 | RÜCKSCHLAGVENTIL | CHECK VALVE | CLAPET ANTI-RETOUR |
| 9522085 | REDUZIERSTÜCK | REDUCER | REDUCTEUR |

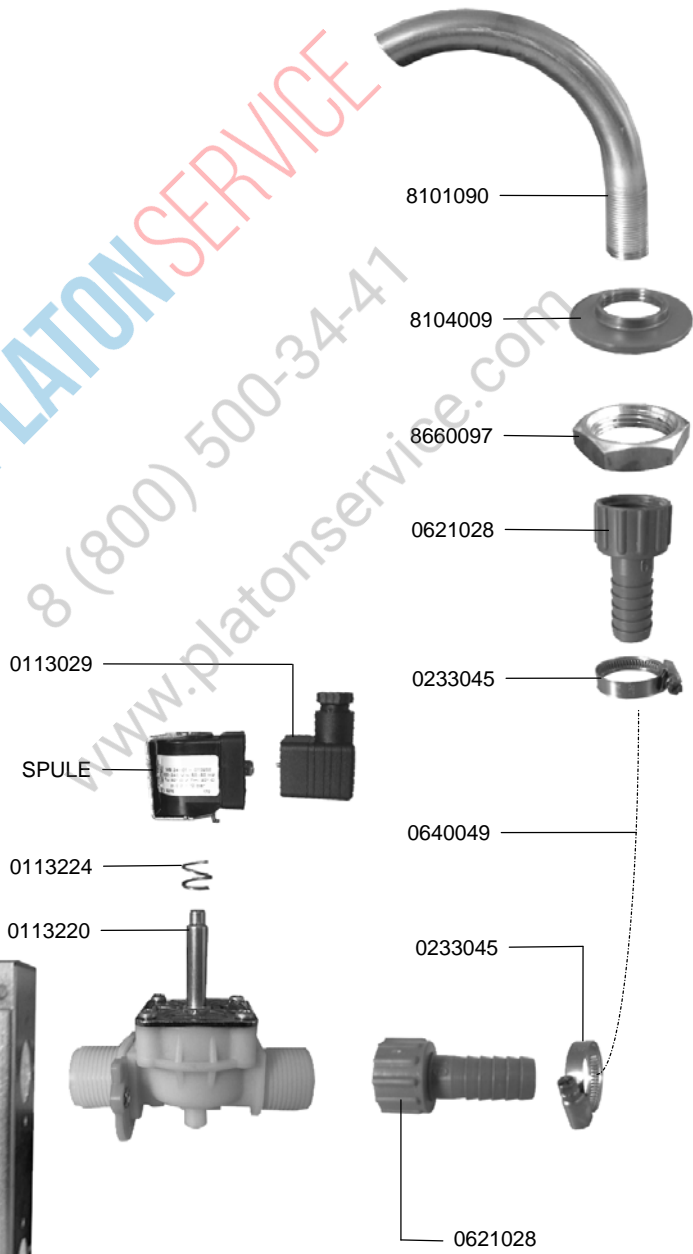
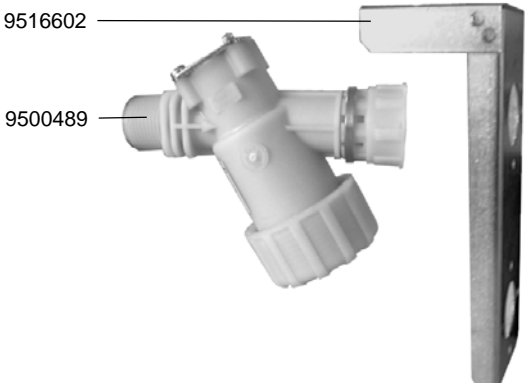
24.1.1 FÜLLEITUNG IN P-TANK, PUMPENKLARSPÜLUNG



24.1.1 FILLING PIPE INTO P-TANK, PUMP FINAL RINSE

24.1.1 TUYAU DE REMPLISSAGE POUR BAC P, RINCAGE FINAL A POMPE

PLATON SERVICE
8 (800) 500-34-47
www.platonservice.com



24.1.1 FÜLLEITUNG IN P-TANK, PUMPENKLARSPÜLUNG



24.1.1 FILLING PIPE INTO P-TANK, PUMP FINAL RINSE

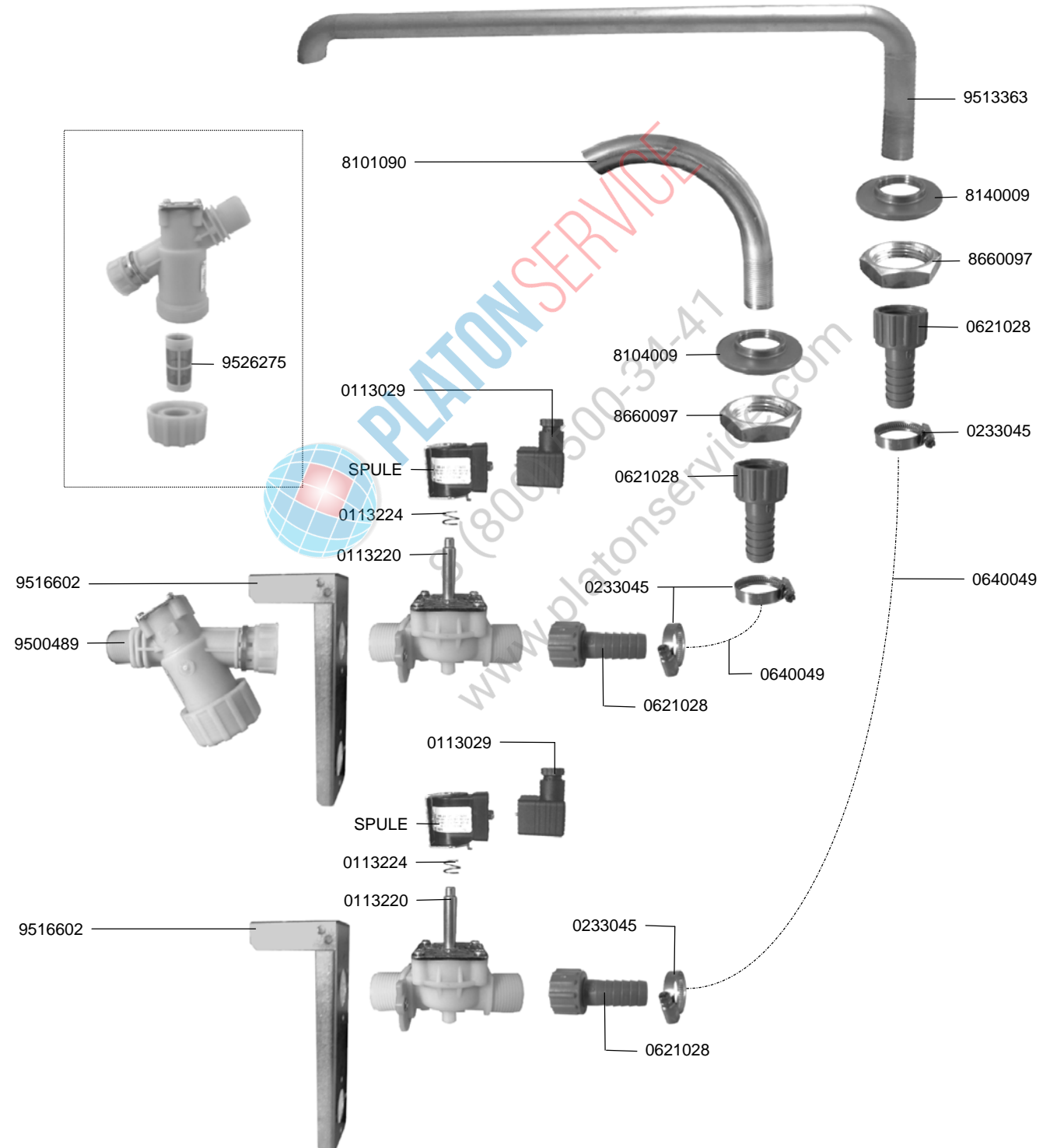
24.1.1 TUYAU DE REMPLISSAGE POUR BAC P, RINCAGE FINAL A POMPE

| IDENT.-NR. IDENT.-NO. | BEZEICHNUNG | DESIGNATION | DESIGNATION |
|--------------------------|-------------------------|-----------------------------|--------------------------|
| 8101090 | FÜLLHAKEN | FILLING HOOK | CROCHET DE REMPLISSAGE |
| 8104009 | MUTTER | NUT | ECROU |
| 8660097 | SKT.MUTTER | HEXAGON NUT | ECROU A 6 PANS |
| 0621028 | ÜBERGANGSSTÜCK | CONNECTION PIECE | PIECE DE CONNEXION |
| 0233045 | SCHLAUCHKLEMME 20-32 | HOSE WIRE CLAMP 20-32 | COLLIER DE SERRAGE 20-32 |
| 0640049 | SCHLAUCH | HOSE | TUYAU |
| 9500489 | SCHMUTZFÄNGER | DIRT TRAP | COLLRCTEUR DE BOUE |
| 9516602 | HALTERUNG | SUPPORT | SUPPORT |
| 0113220 | MAGNETVENTIL | SOLENOID VALVE | ELECTOVANNE |
| 0113224 | FEDER | SPRING | RESSORT |
| SPULE | SIEHE ELEKTROSCHALTPLAN | SEE ELECTRIC WIRING DIAGRAM | VOIR SCHEMA ELECTRIQUE |
| 0113029 | STECKBÜCHSE | TIP JACK | FICHE FEMELLE |
| 9526275 | SIEB | SIEVE | TAMIS |

24.2.1 FÜLLEITUNG IN KWZ TANK

24.2.1 FILLING PIPE INTO KWZ TANK (FINAL RINSE TANK)

24.2.1 TUYAU DE REMPLISSAGE POUR BAC KWZ (BAC DE RINCAGE FINAL)



24.2.1 FÜLLEITUNG IN KWZ TANK



24.2.1 FILLING PIPE INTO KWZ TANK (FINAL RINSE TANK)

24.2.1 TUYAU DE REMPLISSAGE POUR BAC KWZ (BAC DE RINCAGE FINAL)

| IDENT.-NR. IDENT.-NO. | BEZEICHNUNG | DESIGNATION | DESIGNATION |
|--------------------------|-------------------------|-----------------------------|--------------------------|
| 9513363 | FÜLLHAKEN | FILLING HOOK | CROCHET DE REMPLISSAGE |
| 8104009 | MUTTER | NUT | ECROU |
| 8660097 | SKT.MUTTER | HEXAGON NUT | ECROU A 6 PANS |
| 0621028 | ÜBERGANGSSTÜCK | CONNECTION PIECE | PIECE DE CONNEXION |
| 0233045 | SCHLAUCHKLEMME 20-32 | HOSE WIRE CLAMP 20-32 | COLLIER DE SERRAGE 20-32 |
| 0640049 | SCHLAUCH | HOSE | TUYAU |
| 9516602 | HALTERUNG | SUPPORT | SUPPORT |
| * 0113220 | MAGNETVENTIL | SOLENOID VALVE | ELECTROVANNE |
| * 0113224 | FEDER | SPRING | RESSORT |
| SPULE | SIEHE ELEKTROSCHALTPLAN | SEE ELECTRIC WIRING DIAGRAM | VOIR SCHEMA ELECTRIQUE |
| 0113029 | STECKBÜCHSE | TIP JACK | FICHE FEMELLE |
| 9500489 | SCHMUTZFÄNGER | DIRT TRAP | COLLRCTEUR DE BOUE |
| 9526275 | SIEB | SIEVE | TAMIS |
| 8101090 | FÜLLHAKEN | FILLING HOOK | CROCHET DE REMPLISSAGE |